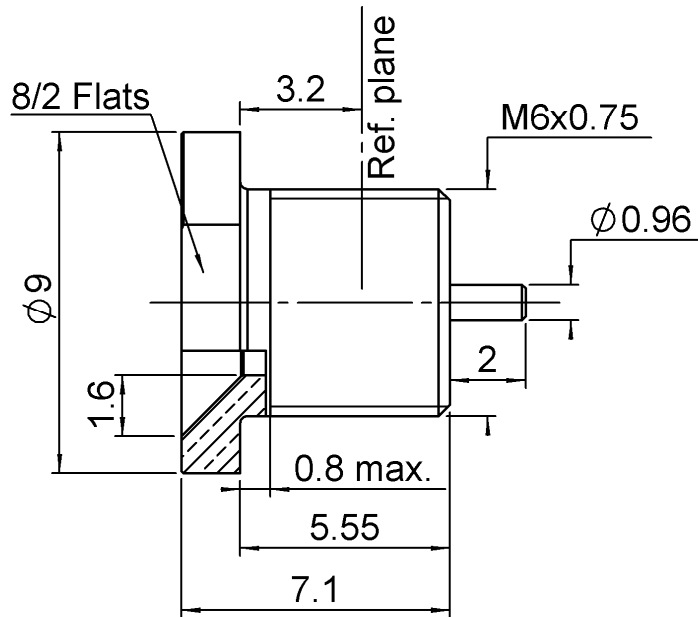


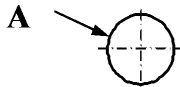
SCREW-ON MALE RECEPTACLE
SLIDE TYPE - WITH CYLINDRICAL CONTACT

R222.M10.700

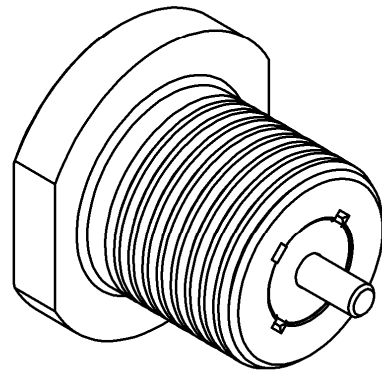
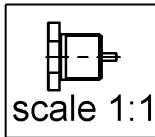
Series : SMP-MAX



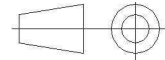
PANEL CUT OUT



| | mm |
|---|---------|
| A | M6x0.75 |



All dimensions are in mm.



| COMPONENTS | MATERIALS | PLATING (µm) |
|----------------|-----------|--------------|
| BODY | BRASS | NPGR |
| CENTER CONTACT | BRASS | NPGR |
| OUTER CONTACT | | |
| INSULATOR | PTFE | |
| GASKET | | |
| OTHERS PARTS | | |
| - | - | - |
| - | - | - |

Issue : 1107 A

In the effort to improve our products, we reserve the right to make changes judged to be necessary.



SCREW-ON MALE RECEPTACLE

R222.M10.700

SLIDE TYPE - WITH CYLINDRICAL CONTACT

Series : SMP-MAX

PACKAGING

SPECIFICATION

| Standard | Unit | Other |
|------------|-------------------|-------------------|
| 100 | 'W' option | Contact us |

ELECTRICAL CHARACTERISTICS

ENVIRONMENTAL

| | | |
|---------------------------------|------------------------------|--------------------------|
| Impedance | 50 | Ω |
| Frequency | 0-6 | GHz |
| VSWR | 1.25* + 0,0000 | x F(GHz) Maxi |
| Insertion loss | 0.15* | \sqrt{F} (GHz) dB Maxi |
| RF leakage | - (NA) | - F(GHz)) dB Maxi |
| Voltage rating | 335 | Veff Maxi |
| Dielectric withstanding voltage | 1000 | Veff mini |
| Insulation resistance | 5000 | M Ω mini |

| | | |
|-----------------------|-----------------|--------------|
| Operating temperature | -55/+165 | $^{\circ}$ C |
| Hermetic seal | NA | Atm.cm3/s |
| Panel leakage | NA | |

OTHER CHARACTERISTICS

Assembly instruction

Others :

*VSWR:up to 3GHz; 3-6GHz,1.35 max

*Coaxial Transmission Line Only

*Slide type receptacle+Bullet+Snap type receptacle

Typical VSWR(Board to Board connection):

0-3GHz, 1.2max

Power handling (typical) :

>300W@2.7GHz at 25 $^{\circ}$ C: >200W@2.7GHz at 85 $^{\circ}$ C

Radial working angle: 3 $^{\circ}$ min

Axial working range: 2mm

MECHANICAL CHARACTERISTICS

| | | |
|----------------------------|---------------|-------------|
| Center contact retention | | |
| Axial force – Mating end | 7 | N mini |
| Axial force – Opposite end | 7 | N mini |
| Torque | NA | N.cm mini |
| Recommended torque | | |
| Mating | NA | N.cm |
| Panel nut | 100 | N.cm |
| Mating life | 100 | Cycles mini |
| Weight | 1,4170 | g |

Issue : 1107 A

In the effort to improve our products, we reserve the right to make changes judged to be necessary.

