

CUSTOMER DRAWING		
CATALOG # MR123100W		
FCN#	APPRVD	DATE
/	/	/

SAFETY ORGANIZATIONS

THIS FILTER HAS BEEN FORMALLY RECOGNIZED, CERTIFIED OR APPROVED BY THE LISTED AGENCY. THEREFORE, ALL TEST/REQUIREMENTS SPECIFIED IN THE LATEST REVISION OF THE FOLLOWING AGENCY STANDARDS HAVE BEEN MET:

OPERATING SPECIFICATIONS

LINE CURRENT/VOLTAGE: 3 AMP, 60VDC

OPERATING AMBIENT TEMP. RANGE: -10°C TO +60°C @ RATED CURRENT, I_r.

IN AN AMBIENT, T_a, HIGHER THAN 60°C, THE MAXIMUM OPERATING CURRENT, I_o, IS AS FOLLOWS:

$$I_o = I_r \sqrt{\frac{85 - T_a}{25}}$$

RELIABILITY SPECIFICATIONS:

STORAGE TEMPERATURE: -40°C TO +85°C
 HUMIDITY: 21 DAYS @ 40°C 95% RH.
 CURRENT OVERLOAD TEST: 6 TIMES I_r FOR 8 SECONDS

TEST SPECIFICATIONS:

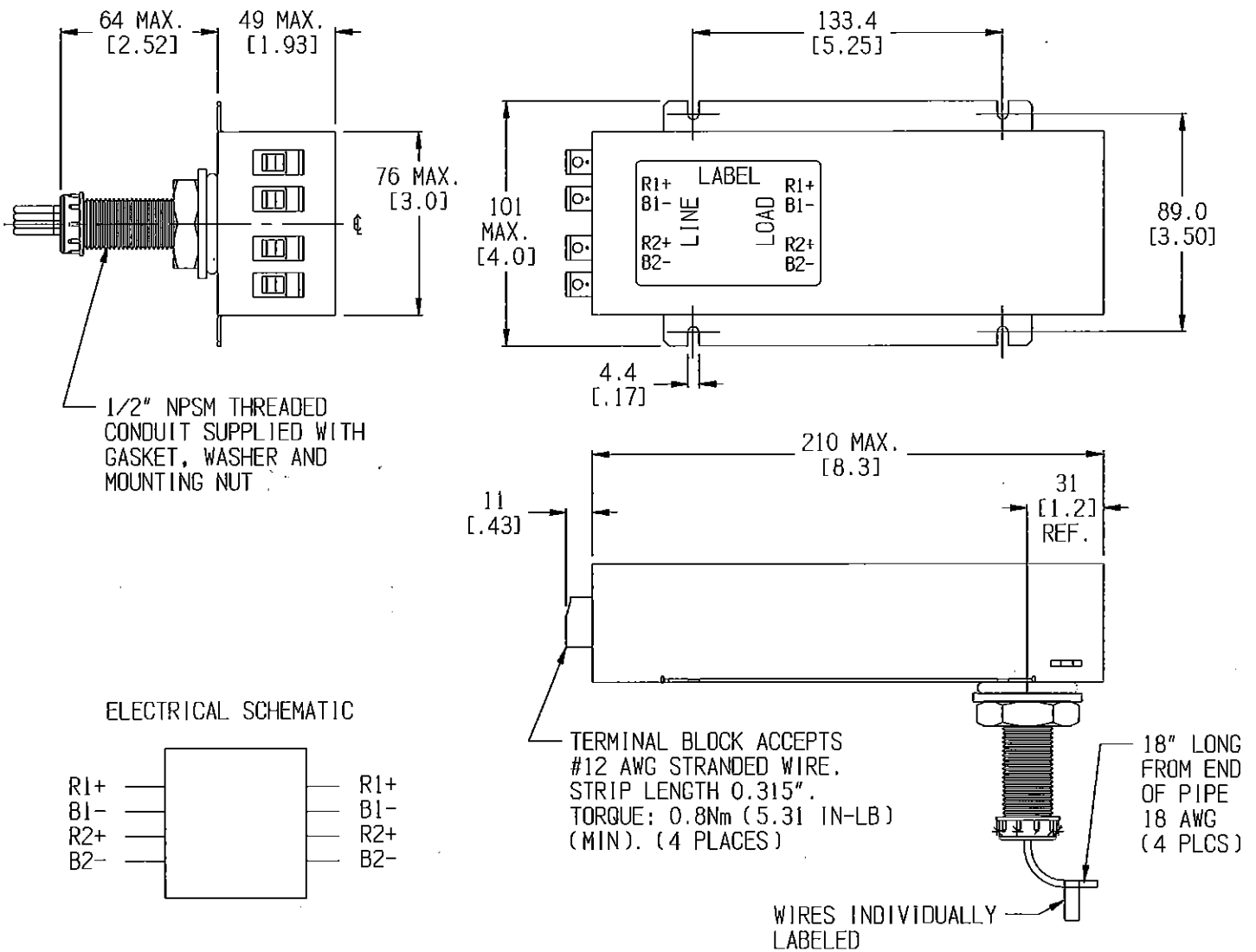
INDUCTANCE: 34.32 mH NOMINAL
 CAPACITANCE: (MEASURED @ 1KHz, 0.250VAC MAX., 25°C±1°C)
 LINE TO GROUND: 9 μF±20%
 LINE TO LINE: 3282.3 μF±20%
 DISCHARGE RESISTOR: 10K Ω
 L/G AND L/L I.R.
 NO DISCHARGE RESISTOR: 6000MΩ (MIN.) @ 100VDC, 20°C AND 50% RH

RECOMMENDED RECEIVING INSPECTION HIPOT:

LINE TO GROUND: 100 VDC FOR 1 MINUTE CAUTION: THIS UNIT USES
 LINE TO LINE: 100 VDC FOR 1 MINUTE POLARIZED CAPACITORS

FILTER APPROVAL:

THE BEST WAY TO SELECT AND QUALIFY A FILTER IS FOR YOUR ENGINEERING TO TEST THE UNIT IN YOUR EQUIPMENT.



50 Ω - 50 Ω (MINIMUM) INSERTION LOSS

FREQUENCY	10 kHz	50 kHz	100 kHz	500 kHz	1 MHz	5 MHz	10 MHz	50 MHz	100 MHz	500 MHz	1 GHz	/
COMMON dB	100	100	100	100	100	100	100	100	100	100	100	/
DIFF. dB	100	100	100	100	100	100	100	100	100	100	100	/

THIS INFORMATION IS CONFIDENTIAL AND PROPRIETARY TO TYCO ELECTRONICS CORPORATION AND ITS WORLDWIDE SUBSIDIARIES AND AFFILIATES. IT MAY NOT BE DISCLOSED TO ANYONE OTHER THAN TYCO ELECTRONICS PERSONNEL, WITHOUT WRITTEN AUTHORIZATION FROM TYCO ELECTRONICS CORPORATION. (www.ie.com)

PARTS SHALL COMPLY WITH TYCO ELECTRONICS 138-702 SPECIFICATION FOR HAZARDOUS SUBSTANCES

UNLESS OTHERWISE SPECIFIED TOLERANCE TO BE ±1.5 (.06) MATERIAL & FINISH: AS SUPPLIED DIMENSIONS IN MILLIMETERS

NOTES: CAUTION: THIS UNIT USES POLARIZED CAPACITORS

TE Connectivity

MRI FILTER

TE PART NO.: 1-1609091-3

SCALE: 3/8	DATE: 26DEC17	DRAWING NUMBER: MR123100W	REV. 2
DRW. BY: LJD	DRG: DP		

MR123100W02.ekd