



## DEUTSCH DBAS 9 SERIES CONNECTORS

---

EXTREME RELIABILITY IN HARSH AEROSPACE, MILITARY AND SPACE APPLICATIONS

Standards SAE/AS81703 Series III, UTE 93422 Model HE 311, MIL-DTL 38999

# DEUTSCH DBAS 9 Series Connectors—Introduction

## HIGH PERFORMANCE

- Up to 500 mating/unmating cycles, variants available for up to 1500 cycles
- Multiple specific variants for pyrotechnic applications, EMI shielding, Dead-Face systems, 1553 Bus, High Speed, HF High Frequency

## HIGH RELIABILITY

- Visual and sensitive push-pull locking system (blind mating)

## CUSTOM DESIGN FOR INTEGRATED SOLUTIONS

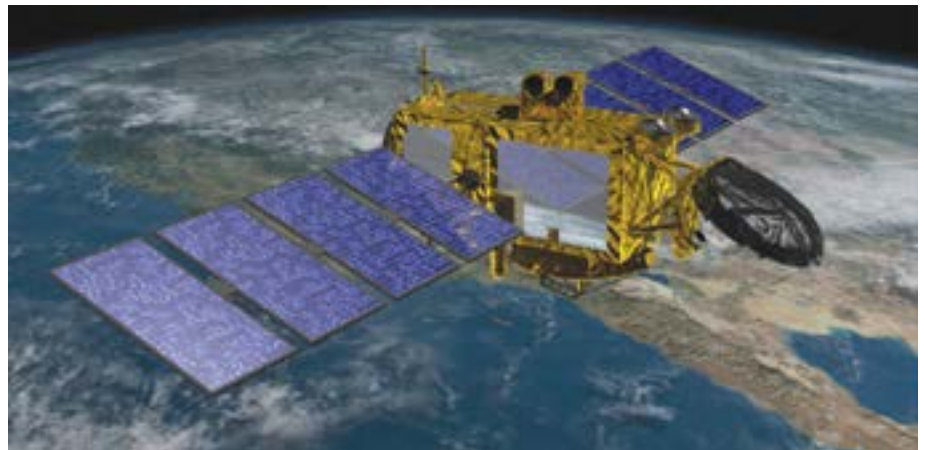
- Large range of shell types and accessories
- Large range of insert arrangements (38999 III)
- Multiple surface finishing options
- Large possibilities of specific modifications

Introduction	3
Synoptic	6
Part Numbering System	8
Arrangements	9
Key Orientation	11
Arrangement Views	12
Special Modifications/Lengths of Lanyard	17
<b>DBAS 970</b>	
Square Flange Receptacle / With Straight Cable Clamp	18
With Elbowed Cable Clamp / With Potting Cup	19
<b>DBAS 971</b>	
Cable Connecting Receptacle / With Straight Cable Clamp	20
With Elbowed Cable Clamp / With Potting Cup	21
<b>DBAS 974</b>	
Jam-Nut Mounted Receptacle / With Straight Cable Clamp	22
With Elbowed Cable Clamp / With Potting Cup	23
<b>DBAS 976</b>	
Feel-Control Locking Plug / With Straight Cable Clamp	24
With Elbowed Cable Clamp / With Potting Cup	25
<b>DBAS 978</b>	
Heavy Duty Lanyard / With Straight Cable Clamp	26
With Elbowed Cable Clamp / With Potting Cup	27
<b>DBAS 979</b>	
Rack and Panel / With Straight Cable Clamp	28
With Elbowed Cable Clamp	29
Accessories	30
Panel Sealing Gasket and O Ring for Receptacles	32
Leading Clips for Plugs and Protective Caps	32
Cable Clamp Sleeves	33
Mating - Unmating Dimensions	34
Panel Cutout	36
Mating - Unmating Forces / Mass	37
Contacts	38
Tools	39
Coax / Twinax	40
Fiber Optic	41
Mounting Notice of Rack and Panel	42

Overall dimensions and characteristics are given for indication guidance only. We reserve the right to modify them for production improvement reasons. All the references listed may not be active.



40 Years of Expertise in the  
Aerospace Industry



# DEUTSCH DBAS 9 Connectors

## Connection Reliability

- Visual and sensitive locking (blind mating)
- Leading clip helps prevent any accidental unmating on demand
- Interface and individual wire sealing

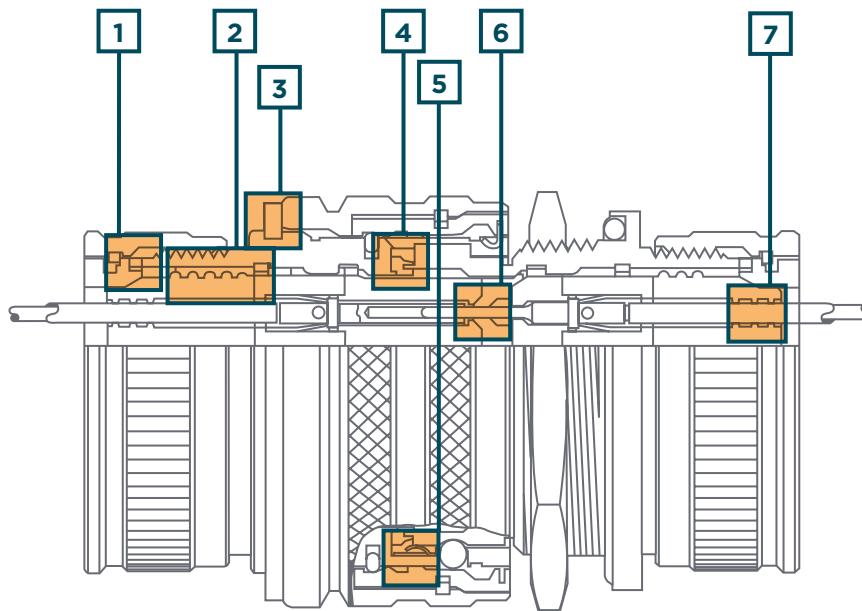
## Large Range of Variants and Accessories

- Mobile and “rack and panel” plugs, plugs with heavy duty lanyard

- Sealed receptacles and feedthrough
- Removable contacts size 8 to 22, crimp, solder and PCB types
- Savers, protective caps and dummy receptacles

## Custom Design for Integrated Solutions

- Cryogenic
- Dead-face systems
- Specials (high speed, HF, pyrotechnic, 1553 bus)



- 1 Connector rear part fitted with teeth anti-rotation system ensure effective tightening and clamping of accessories
- 2 Shell/insert sealing assumed by potting
- 3 Leading clip for plugs to help prevent any accidental unmating on demand (see page 32)
- 4 Interface sealing assumed by H.F. gasket
- 5 Improved shell to shell continuity supported by RFI fingers on plugs (see page 8, index G)
- 6 Individual contact sealing at mating thanks to compression of elastomer on hard insert.
- 7 Individual wire sealing due to several sealing barriers on rear insert

# DEUTSCH DBAS 9 Connectors

## Technical Characteristics

### Mechanical

Shell	Material Plating	Aluminium Alloy
		Standard: Nickel
		Special: Consult Us
RFI Ring	Material Plating	Beryllium Copper Nickel
Insert	Material	Thermoplastic and Fluorinated Silicone
	Fluid Resistance	Compliant with MIL-DTL 38999
Contact	Type	Crimp Type
	Plating	Gold over Nickel
Insert Contact Retention		Size 22: 4.40 daN Size 20: 6.93 daN Size 16: 11.56 daN Size 12: 11.56 daN Size 8: 11.56 daN
Durability		500 full mating / unmating cycles, available variant for 1500 cycles

### Environmental Conditions

Service Temperature		-55° C to +200° C
Corrosion		Nickel Plating: Withstand 96 hours of salt spray Olive Drab Cadmium: Withstand 500 hours of salt spray

### Electrical

Mated Shell Conductivity	Plugs with RFI Fingers	≤ 50 mΩ	
Contact Maximum Current		Size 22: 5 A	Size 12: 23 A
		Size 20: 7.5 A	Size 8: 46 A
		Size 16: 13 A	
Diameter over Insulating Sheath		Size 22: 0.71 to 1.25 mm	Size 12: 2.69 to 4.01 mm
		Size 20: 1.01 to 2.10 mm	Size 8: 3.80 to 5.15 mm
		Size 16: 1.35 to 2.62 mm	
Allowed Wires Section		Size 22: 0.15 to 0.38 mm <sup>2</sup>	Size 12: 1.91 to 3.18 mm <sup>2</sup>
		Size 20: 0.21 to 0.60 mm <sup>2</sup>	Size 8: 5.30 to 8.98 mm <sup>2</sup>
		Size 16: 0.60 to 1.34 mm <sup>2</sup>	



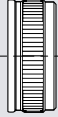
Plug with Heavy Duty Lanyard Mated with Jam-Nut Mounted Receptacle

# DEUTSCH DBAS 9 Connectors

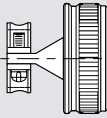
## Synoptic

**ACCESSORIES**

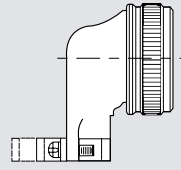
Nut



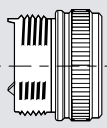
**059** Straight Cable Clamp



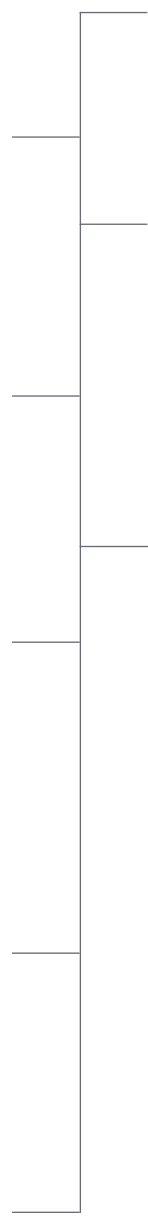
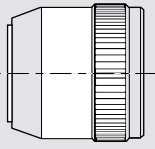
**081** 90° Cable Clamp



**A 140** Adaptor

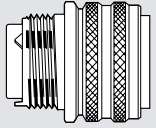


**A 083** Potting Cup

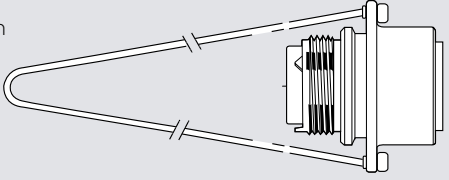


**PLUG**

**DBAS 976** Feel-Control Locking Plug

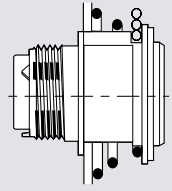


**DBAS 978** Plug with Heavy Duty Lanyard

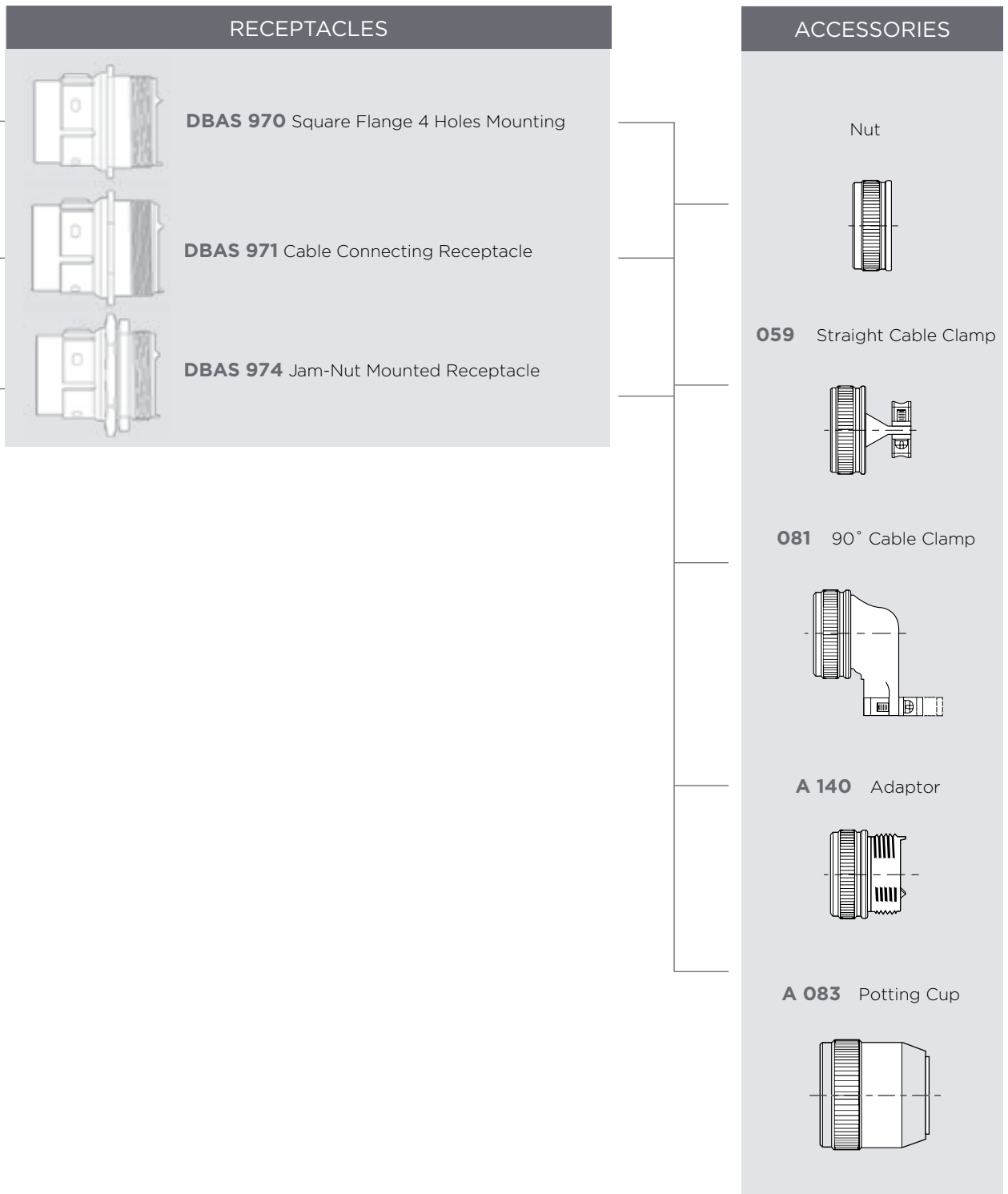


**RACK & PANEL CONNECTOR**

**DBAS 979** Rack and Panel

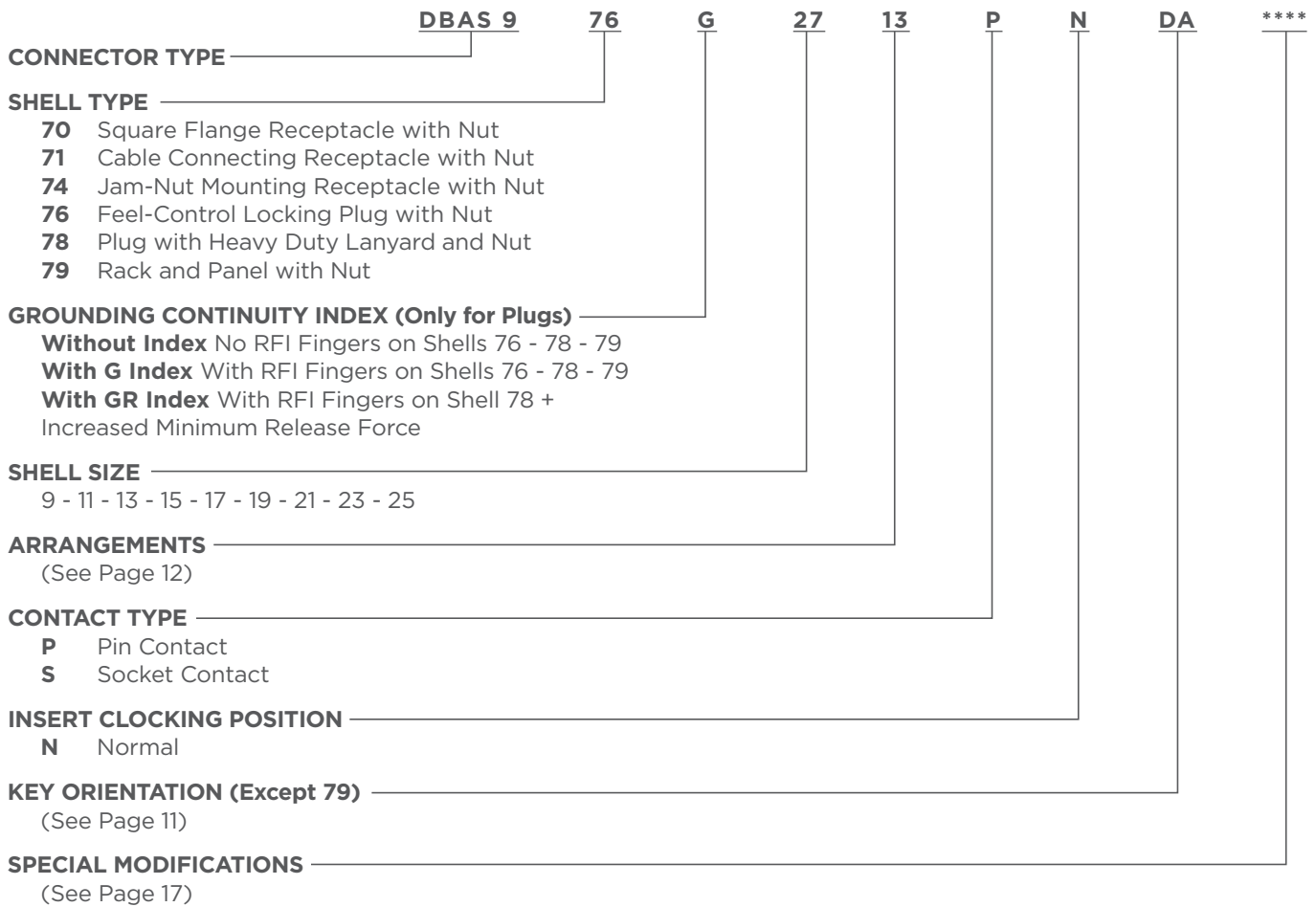


# DEUTSCH DBAS 9 Connectors



# DEUTSCH DBAS 9 Connectors

## Part Numbering System



For hermetic versions, please consult TE



# DEUTSCH DBAS 9 Connectors

## Arrangements

	8 Twinax	8 Coax	12 Twinax	12 Coax	10	12	16	20	22D	22M
09-06										7
09-07									7	
09-35									6	
09-98								3		
11-01		1								
11-02							2			
11-04								4		
11-05								5		
11-13										13
11-35									13	
11-98								6		
11-99								7		
13-04							4			
13-08								8		
13-22										22
13-35									22	
13-98								10		
15-05							5			
15-15							1	14		
15-18								18		
15-19								19		
15-35									37	
15-37										37
15-97							4	8		
17-02	1								38	
17-03	1								38	
17-06						6				
17-08							8			
17-11			2	1				8		
17-26								26		
17-35									55	
17-55										55
17-99							2	21		
19-11							11			
19-18	4							14		
19-19	4							14		
19-28							2	26		
19-32								32		
19-35									66	
19-66										66
21-01										79
21-11						11				
21-16							16			
21-35									79	
21-39							2	37		

# DEUTSCH DBAS 9 Connectors

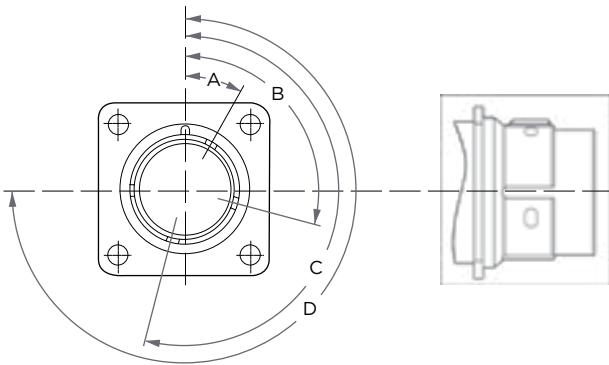
## Arrangements

	8 Twinax	8 Coax	12 Twinax	12 Coax	10	12	16	20	22D	22M
21-41								41		
21-75	4									
21-76	4									
23-01										100
23-21							21			
23-35									100	
23-53								53		
23-55								55		
23-63			4				4		49	
25-01									128	
25-04							8	48		
25-07	2								97	
25-08	8									
25-09	2								97	
25-10	8									
25-11					9			2		
25-19						19				
25-20	3			4			13	10		
25-21	3			4			13	10		
25-24						12	12			
25-29							29			
25-35									128	
25-37							37			
25-41	3					2	11	3	22	
25-43							20	23		
25-46		2					4	40		
25-47		2					4	40		
25-61								61		
25-90	2						4	40		
25-91	2						4	40		

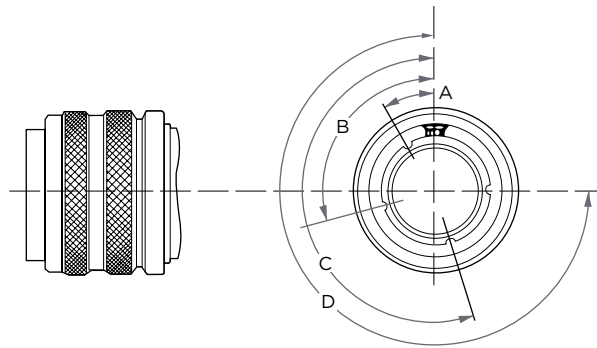
# DEUTSCH DBAS 9 Connectors

## Key Orientation (Except 79)

Receptacle Front Face View



Plug Front Face View



Angles Size	9				11				13				15				17/19				21				23/25							
	A	B	C	D	A	B	C	D	A	B	C	D	A	B	C	D	A	B	C	D	A	B	C	D	A	B	C	D				
Standard	23	97	187	—	23	97	187	277	30	105	195	270	30	105	195	270	30	105	195	270	30	105	195	270	30	105	195	270	30	105	195	270
DA	—	—	—	—	23	105	195	300	30	90	225	315	40	105	195	270	40	105	195	270	40	105	195	270	40	105	195	270	40	105	195	270
DB	—	—	—	—	23	115	210	285	30	120	210	285	30	115	195	270	30	115	195	270	30	115	195	270	30	115	195	270	30	115	195	270
DC	—	—	—	—	30	120	195	285	30	135	180	300	30	115	210	270	30	115	210	270	30	115	210	270	30	115	210	270	30	115	210	270
DD	—	—	—	—	30	97	210	270	45	105	210	315	30	115	195	280	30	115	195	280	30	115	195	280	30	115	195	280	30	115	195	280
DE	—	—	—	—	—	—	—	—	45	90	180	285	—	—	—	—	—	—	—	—	30	90	170	270	30	90	170	270	30	90	170	270
DF	—	—	—	—	—	—	—	—	45	120	270	300	—	—	—	—	—	—	—	—	30	115	170	255	30	115	170	255	30	115	170	255
DG	—	—	—	—	—	—	—	—	45	135	195	225	—	—	—	—	—	—	—	—	30	115	180	300	30	115	180	300	30	115	180	300

Dimensions in mm



Feel-Control Locking Plug with Square Flange 4 Holes Mounting Receptacle

# DEUTSCH DBAS 9 Connectors

## Arrangement Views

### Male Insert Viewed from Front Face



**09-06**  
7 Size 22M Contacts



**09-07**  
7 Size 22D Contacts



**09-35**  
6 Size 22D Contacts



**09-98**  
3 Size 20 Contacts



**11-01**  
1 Size 8 Coax



**11-02**  
2 Size 16 Contacts



**11-04**  
4 Size 20 Contacts



**11-05**  
5 Size 20 Contacts



**11-13**  
13 Size 22M Contacts



**11-35**  
13 Size 22D Contacts



**11-98**  
6 Size 20 Contacts



**11-99**  
7 Size 20 Contacts



**13-04**  
4 Size 16 Contacts



**13-08**  
8 Size 20 Contacts



**13-22**  
22 Size 22M Contacts



**13-35**  
22 Size 22D Contacts



**13-98**  
10 Size 20 Contacts

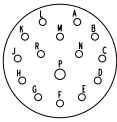


**15-05**  
5 Size 16 Contacts

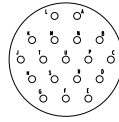
# DEUTSCH DBAS 9 Connectors

## Arrangement Views

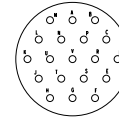
### Male Insert Viewed from Front Face



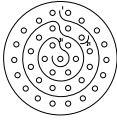
**15-15**  
14 Size 20 Contacts  
1 Size 16 Contact



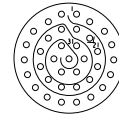
**15-18**  
18 Size 20 Contacts



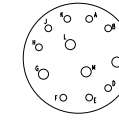
**15-19**  
19 Size 20 Contacts



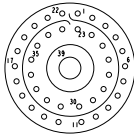
**15-35**  
37 Size 22D Contacts



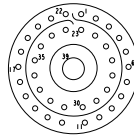
**15-37**  
37 Size 22M Contacts



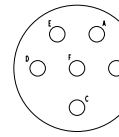
**15-97**  
4 Size 16 Contacts  
8 Size 20 Contacts



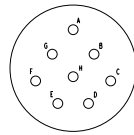
**17-02**  
1 Size 8 Twinax Contact  
38 Size 22D Contacts



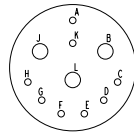
**17-03**  
1 Size 8 Twinax  
38 Size 22D Contacts



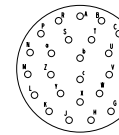
**17-06**  
6 Size 12 Contacts



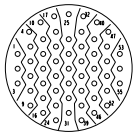
**17-08**  
8 Size 16 Contacts



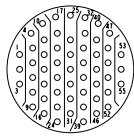
**17-11**  
2 Size 12 Twinax  
1 Size 12 Coax  
8 Size 20 Contacts



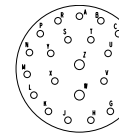
**17-26**  
26 Size 20 Contacts



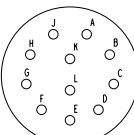
**17-35**  
55 Size 22D Contacts



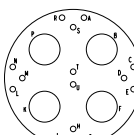
**17-55**  
55 Size 22M Contacts



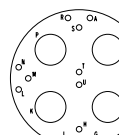
**17-99**  
2 Size 16 Contacts  
21 Size 20 Contacts



**19-11**  
11 Size 16 Contacts



**19-18**  
4 Size 8 Twinax  
14 Size 20 Contacts

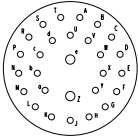


**19-19**  
4 Size 8 Twinax  
14 Size 20 Contacts

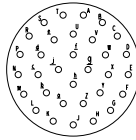
# DEUTSCH DBAS 9 Connectors

## Arrangement Views

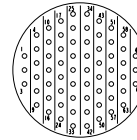
### Male Insert Viewed from Front Face



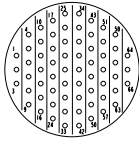
**19-28**  
2 Size 16 Contacts  
26 Size 20 Contacts



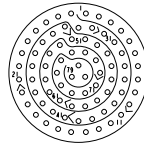
**19-32**  
32 Size 20 Contacts



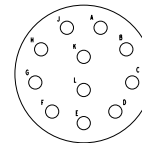
**19-35**  
66 Size 22D Contacts



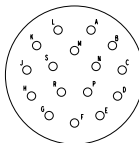
**19-66**  
66 Size 22M Contacts



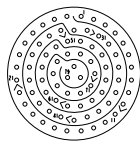
**21-01**  
79 Size 22M Contacts



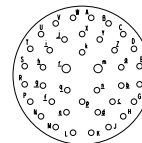
**21-11**  
11 Size 12 Contacts



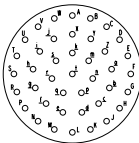
**21-16**  
16 Size 16 Contacts



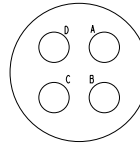
**21-35**  
79 Size 22D Contacts



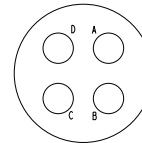
**21-39**  
2 Size 16 Contacts  
37 Size 20 Contacts



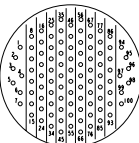
**21-41**  
41 Size 20 Contacts



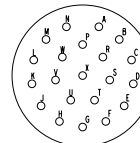
**21-75**  
4 Size 8 Twinax



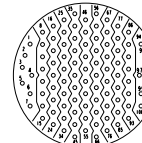
**21-76**  
4 Size 8 Twinax



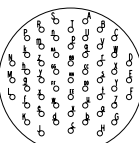
**23-01**  
100 Size 22M Contacts



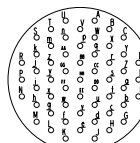
**23-21**  
21 Size 16 Contacts



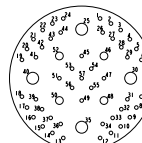
**23-35**  
100 Size 22D Contacts



**23-53**  
53 Size 20 Contacts



**23-55**  
55 Size 20 Contacts

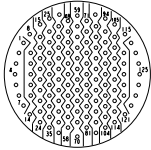


**23-63**  
4 Size 12 Contacts  
4 Size 16 Contacts  
49 Size 22D Contacts

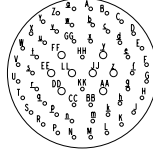
# DEUTSCH DBAS 9 Connectors

## Arrangement Views

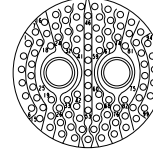
### Male Insert Viewed from Front Face



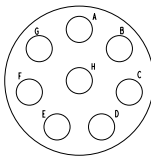
**25-01**  
128 Size 22D Contacts



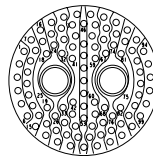
**25-04**  
8 Size 16 Contacts  
48 Size 20 Contacts



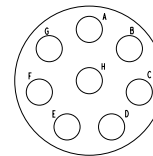
**25-07**  
2 Size 8 Twinax  
97 Size 22D Contacts



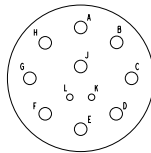
**25-08**  
8 Size 8 Twinax



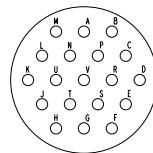
**25-09**  
2 Size 8 Twinax  
97 Size 22D Contacts



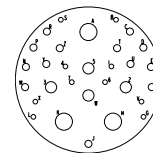
**25-10**  
8 Size 8 Twinax



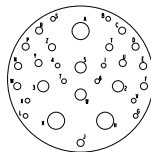
**25-11**  
9 Size 10 Contacts  
2 Size 20 Contacts



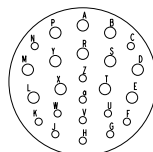
**25-19**  
19 Size 12 Contacts



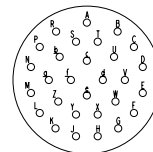
**25-20**  
3 Size 8 Twinax  
4 Size 12 Coax  
13 Size 16 Contacts  
10 Size 20 Contacts



**25-21**  
3 Size 8 Twinax  
4 Size 12 Coax  
13 Size 16 Contacts  
10 Size 20 Contacts



**25-24**  
12 Size 12 Contacts  
12 Size 16 Contacts

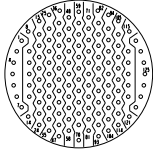


**25-29**  
29 Size 16 Contacts

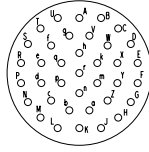
# DEUTSCH DBAS 9 Connectors

## Arrangement Views

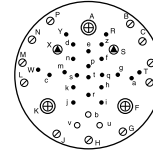
### Male Insert Viewed from Front Face



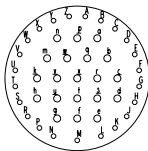
**25-35**  
128 Size 22D Contacts



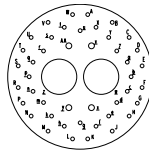
**25-37**  
37 Size 16 Contacts



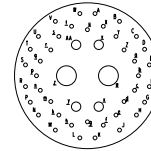
**25-41**  
22 Size 22D Contacts  
3 Size 20 Contacts  
11 Size 16 Contacts  
2 Size 12 Contacts  
3 Size 8 Twinax



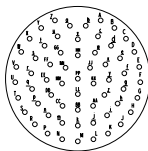
**25-43**  
20 Size 16 Contacts  
23 Size 20 Contacts



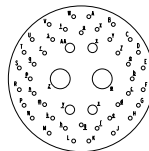
**25-46**  
2 Size 8 Coax  
4 Size 16 Contacts  
40 Size 20 Contacts



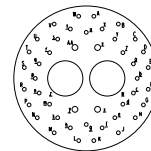
**25-47**  
2 Size 8 Coax  
4 Size 16 Contacts  
40 Size 20 Contacts



**25-61**  
61 Size 20 Contacts



**25-90**  
2 Size 8 Twinax  
4 Size 16 Contacts  
40 Size 20 Contacts



**25-91**  
2 Size 8 Twinax  
4 Size 16 Contacts  
40 Size 20 Contacts



# DEUTSCH DBAS 9 Connectors

## Special Modifications

Mod Code	Description
A083	Potting Cup
1A	Without Nut
059	Straight Cable Clamp
081	Elbowed Cable Clamp
090	Without Contact
395	Kerosene-Resistant Insert
A838	Olive Drab Cadmium
*****	For Other Modifications, Consult TE

## Lengths of Lanyard

MOD	Length
Standard	119.7 ± 2.1
A614	134.3 ± 2.1
B614	164.3 ± 2.1
C614	194.3 ± 2.1
D614	204.7 ± 2.1
E614	217 ± 2.1
F614	230 ± 2.1
G614	144.4 ± 2.1
H614	94.4 ± 2.1
K614	124.8 ± 2.1
L614	244.4 ± 2.1
M614	494.4 ± 2.1
N614	98.7 ± 2.1
P614	294.4 ± 2.1
Q614	190.4 ± 2.1
R614	108.5 ± 2.1
S614	153.6 ± 2.1
T614	75.4 ± 2.1
U614	118.82 ± 2.1
V614	87.1 ± 2.1
W614	384.9 ± 2.1
X614	171 ± 2.1
Y614	238 ± 2.1

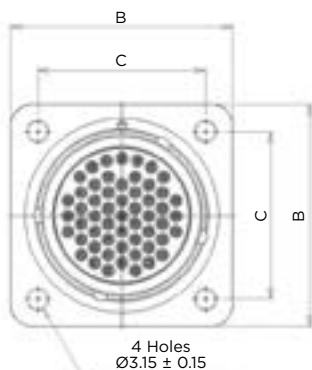
For other lengths of lanyard, consult TE.  
Dimensions in mm



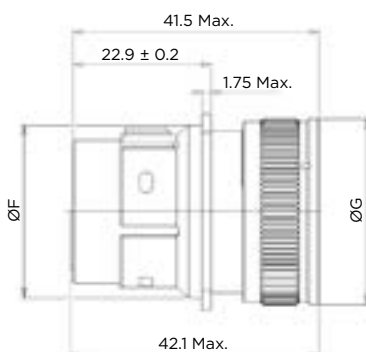
Plug with Heavy Duty Lanyard with Jam-Nut Mounted Receptacle

# DEUTSCH DBAS 9 Connectors

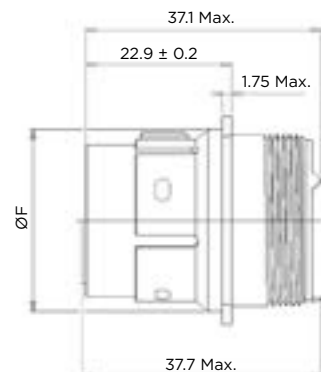
## DBAS 970-Square Flange Receptacle / With Straight Cable Clamp



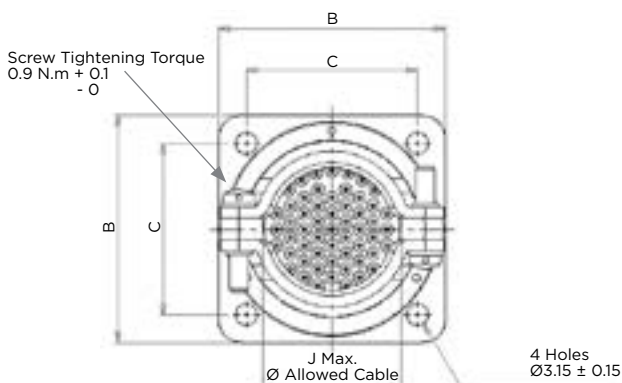
DBAS 970



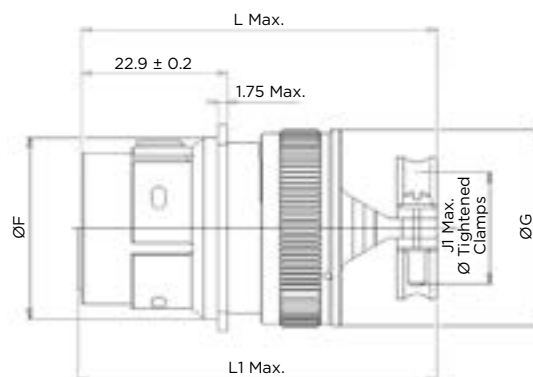
DBAS 970 With Nut



DBAS 970 Without Nut (Mod 1A)



DBAS 970 With Straight Cable Clamp



DBAS 970 With Straight Cable Clamp (059)

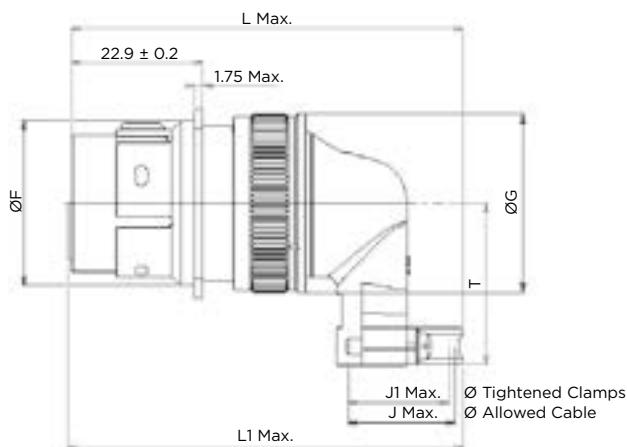
Part Number	Part Number without Nut	Part Number with Straight Cable Clamp	B Max	C ±0.1	F Max	G Max	J Max	With Straight Cable Clamp		
								J1 Max	L Max	L1 Max
DBAS 970-09-** P/S*	DBAS 970-09-** P/S * 1A	DBAS 970-09-** P/S * 059	22.6	15.9	14.5	17	6.6	5.15	50.5	51
DBAS 970-11-** P/S*	DBAS 970-11-** P/S * 1A	DBAS 970-11-** P/S * 059	25.8	18.28	17.35	21.8	12.75	10.55	50.5	51
DBAS 970-13-** P/S*	DBAS 970-13-** P/S * 1A	DBAS 970-13-** P/S * 059	28.2	20.62	20.8	25	14.6	12.05	56.5	57.1
DBAS 970-15-** P/S*	DBAS 970-15-** P/S * 1A	DBAS 970-15-** P/S * 059	30.6	23	24	28.25	17.8	15.85	56.5	57.1
DBAS 970-17-** P/S*	DBAS 970-17-** P/S * 1A	DBAS 970-17-** P/S * 059	33	24.6	28.65	30.95	19.8	17.95	56.5	57.1
DBAS 970-19-** P/S*	DBAS 970-19-** P/S * 1A	DBAS 970-19-** P/S * 059	33	24.6	28.65	30.95	19.8	17.95	56.5	57.1
DBAS 970-21-** P/S*	DBAS 970-21-** P/S * 1A	DBAS 970-21-** P/S * 059	36.9	30.12	31.95	34.15	23	21.05	56.5	57.1
DBAS 970-23-** P/S*	DBAS 970-23-** P/S * 1A	DBAS 970-23-** P/S * 059	45.7	36.48	39.9	42	30.1	27.45	56.5	57.1
DBAS 970-25-** P/S*	DBAS 970-25-** P/S * 1A	DBAS 970-25-** P/S * 059	45.7	36.48	39.9	42	30.1	27.45	56.5	57.1

Dimensions in mm  
For accessories tightening torque strength, please refer to page 30.

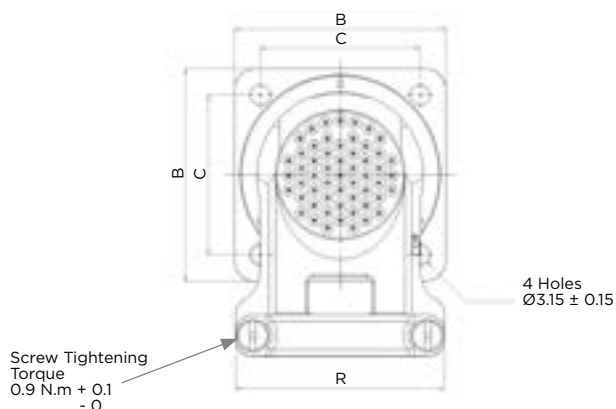
Female inserts protrude from the FRONT face of all receptacles types 70, 71 and 74. Panel sealing gasket to be ordered separately, see page 32.  
Panel cutout, see page 35.

# DEUTSCH DBAS 9 Connectors

## DBAS 970-With Elbowed Cable Clamp



DBAS 970 With Elbowed Cable Clamp

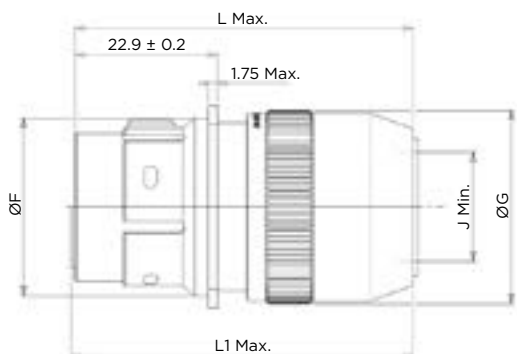


DBAS 970 With Elbowed Cable Clamp

Part Number with Elbowed Cable Clamp	B Max	C ±0.1	F Max	G Max	J Max	J1 Max	L Max	L1 Max	R Max	T Max
DBAS 970-09-** P/S * 081	22.6	15.9	14.5	17	6.6	5.15	54.5	55.1	17.4	21.4
DBAS 970-11-** P/S * 081	25.8	18.28	17.35	21.8	12.75	10.55	59.6	60.2	23.6	23.8
DBAS 970-13-** P/S * 081	28.2	20.62	20.8	25	14.6	12.05	61.9	62.5	25.5	25.3
DBAS 970-15-** P/S * 081	30.6	23	24	28.25	17.8	15.85	65.3	65.9	29.7	26.8
DBAS 970-17-** P/S * 081	33	24.6	28.65	30.95	19.8	17.95	68.6	69.2	32.6	28.3
DBAS 970-19-** P/S * 081	33	24.6	28.65	30.95	19.8	17.95	68.6	69.2	32.6	28.3
DBAS 970-21-** P/S * 081	36.9	30.12	31.95	34.15	23	21.05	72	72.6	36	29.9
DBAS 970-23-** P/S * 081	45.7	36.48	39.9	42	30.1	27.45	78.6	79.2	42.8	33.5
DBAS 970-25-** P/S * 081	45.7	36.48	39.9	42	30.1	27.45	78.6	79.2	42.8	33.5

Dimensions in mm  
For accessories tightening torque strength, please refer to page 30

## DBAS 970-With Potting Cup



DBAS 970 With Potting Cup

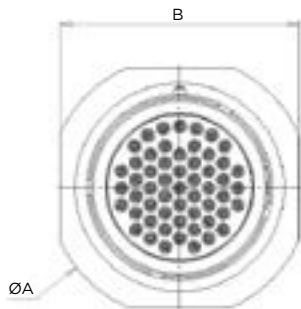
Part Number with Potting Cup	B Max	C ±0.1	F Max	G Max	J Mini	L Max	L1 Max
DBAS 970-09-** P/S * A083	22.6	15.9	14.5	17	4.6	50	50.6
DBAS 970-11-** P/S * A083	25.8	18.28	17.35	21.8	10	50	50.6
DBAS 970-13-** P/S * A083	28.2	20.62	20.8	25	11.5	55.5	56.1
DBAS 970-15-** P/S * A083	30.6	23	24	28.25	15.3	55.5	56.1
DBAS 970-17-** P/S * A083	33	24.6	28.65	30.95	17.3	55.5	56.1
DBAS 970-19-** P/S * A083	33	24.6	28.65	30.95	17.3	55.5	56.1
DBAS 970-21-** P/S * A083	36.9	30.12	31.95	34.15	20.5	55.5	56.1
DBAS 970-23-** P/S * A083	45.7	36.48	39.9	42	26.8	55.5	56.1
DBAS 970-25-** P/S * A083	45.7	36.48	39.9	42	26.8	55.5	56.1

Dimensions in mm  
For accessories tightening torque strength, please refer to page 30.

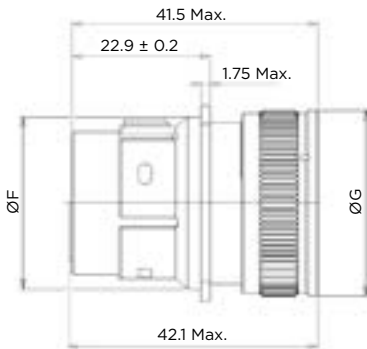
Female inserts protrude from the FRONT face of all receptacles types 70, 71 and 74. Panel sealing gasket to be ordered separately, see page 32.  
Panel cutout, see page 35.

# DEUTSCH DBAS 9 Connectors

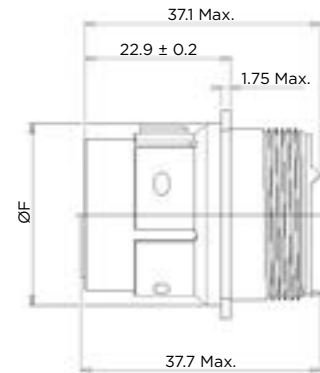
## DBAS 971-Cable Connecting Receptacle / With Straight Cable Clamp



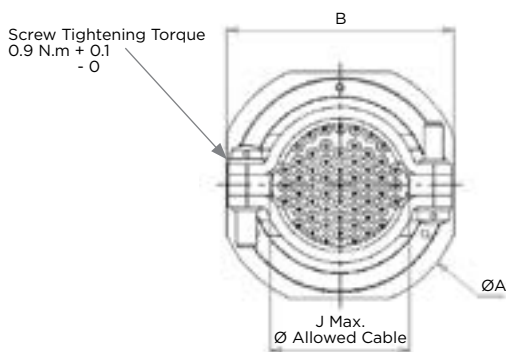
DBAS 971



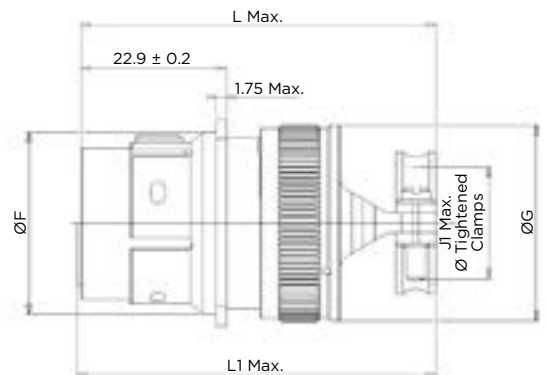
DBAS 971 With Nut



DBAS 971 Without Nut (Mod 1A)



DBAS 971 With Straight Cable Clamp



DBAS 971 With Straight Cable Clamp (059)

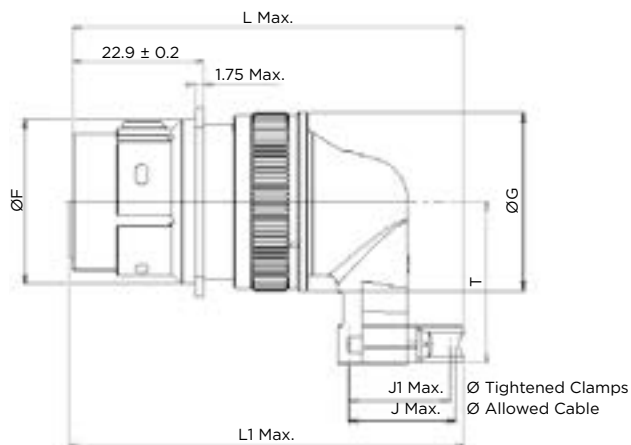
Part Number	Part Number without Nut	Part Number with Straight Cable Clamp	A Max	B Max	F Max	G Max	J Max	With Straight Cable Clamp		
								J1 Max	L Max	L1 Max
DBAS 971-09-** P/S*	DBAS 971-09-** P/S * 1A	DBAS 971-09-** P/S * 059	25.45	22.6	14.5	17	6.6	5.15	50.5	51
DBAS 971-11-** P/S*	DBAS 971-11-** P/S * 1A	DBAS 971-11-** P/S * 059	28.65	25.8	17.35	21.8	12.75	10.55	50.5	51
DBAS 971-13-** P/S*	DBAS 971-13-** P/S * 1A	DBAS 971-13-** P/S * 059	31.05	28.2	20.8	25	14.6	12.05	56.5	57.1
DBAS 971-15-** P/S*	DBAS 971-15-** P/S * 1A	DBAS 971-15-** P/S * 059	33.45	30.6	24	28.25	17.8	15.85	56.5	57.1
DBAS 971-17-** P/S*	DBAS 971-17-** P/S * 1A	DBAS 971-17-** P/S * 059	35.85	33	28.65	30.95	19.8	17.95	56.5	57.1
DBAS 971-19-** P/S*	DBAS 971-19-** P/S * 1A	DBAS 971-19-** P/S * 059	35.85	33	28.65	30.95	19.8	17.95	56.5	57.1
DBAS 971-21-** P/S*	DBAS 971-21-** P/ * 1A	DBAS 971-21-** P/S * 059	39.75	36.9	31.95	34.15	23	21.05	56.5	57.1
DBAS 971-23-** P/S*	DBAS 971-23-** P/S * 1A	DBAS 971-23-** P/S * 059	48.55	45.7	39.9	42	30.1	27.45	56.5	57.1
DBAS 971-25-** P/S*	DBAS 971-25-** P/S * 1A	DBAS 971-25-** P/S * 059	48.55	45.7	39.9	42	30.1	27.45	56.5	57.1

Dimensions in mm  
For accessories tightening torque strength, please refer to page 30.

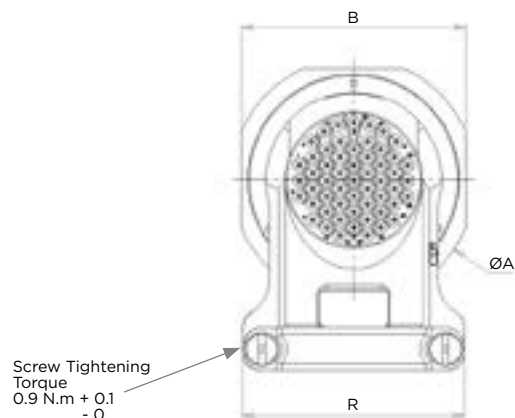
Female inserts protrude from the FRONT face of all receptacles types 70, 71 and 74. Panel sealing gasket to be ordered separately, see page 32.  
Panel cutout, see page 35.

# DEUTSCH DBAS 9 Connectors

## DBAS 971-With Elbowed Cable Clamp



DBAS 971 With Elbowed Cable Clamp

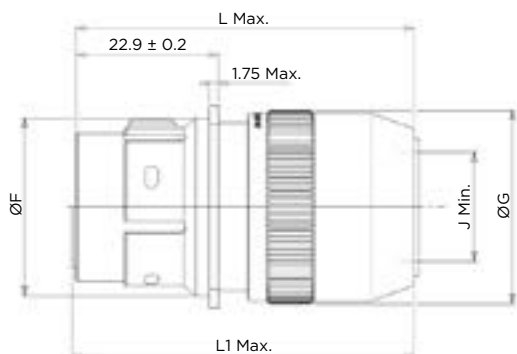


DBAS 971 With Elbowed Cable Clamp

Part Number with Elbowed Cable Clamp	A Max	B Max	F Max	G Max	J Max	J1 Max	L Max	L1 Max	R Max	T Max
DBAS 971-09-** P/S * O81	25.45	22.6	14.5	17	6.6	5.15	54.5	55.1	17.4	21.4
DBAS 971-11-** P/S * O81	28.65	25.8	17.35	21.8	12.75	10.55	59.6	60.2	23.6	23.8
DBAS 971-13-** P/S * O81	31.05	28.2	20.8	25	14.6	12.05	61.9	62.5	25.5	25.3
DBAS 971-15-** P/S * O81	33.45	30.6	24	28.25	17.8	15.85	65.3	65.9	29.7	26.8
DBAS 971-17-** P/S * O81	35.85	33	28.65	30.95	19.8	17.95	68.6	69.2	32.6	28.3
DBAS 971-19-** P/S * O81	35.85	33	28.65	30.95	19.8	17.95	68.6	69.2	32.6	28.3
DBAS 971-21-** P/S * O81	39.75	36.9	31.95	34.15	23	21.05	72	72.6	36	29.9
DBAS 971-23-** P/S * O81	48.55	45.7	39.9	42	30.1	27.45	78.6	79.2	42.8	33.5
DBAS 971-25-** P/S * O81	48.55	45.7	39.9	42	30.1	27.45	78.6	79.2	42.8	33.5

Dimensions in mm  
For accessories tightening torque strength, please refer to page 30

## DBAS 971-With Potting Cup



DBAS 971 With Potting Cup

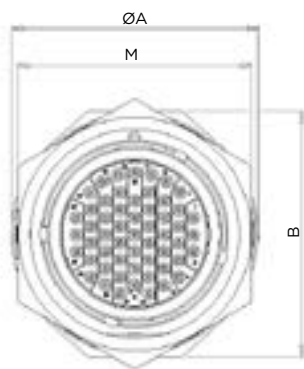
Part Number with Potting Cup	A Max	B Max	F Max	G Max	J mini	L Max	L1 Max
DBAS 971-09-** P/S * A083	25.45	22.6	14.5	17	4.6	50	50.6
DBAS 971-11-** P/S * A083	28.65	25.8	17.35	21.8	10	50	50.6
DBAS 971-13-** P/S * A083	31.05	28.2	20.8	25	11.5	55.5	56.1
DBAS 971-15-** P/S * A083	33.45	30.6	24	28.25	15.3	55.5	56.1
DBAS 971-17-** P/S * A083	35.85	33	28.65	30.95	17.3	55.5	56.1
DBAS 971-19-** P/S * A083	35.85	33	28.65	30.95	17.3	55.5	56.1
DBAS 971-21-** P/S * A083	39.75	36.9	31.95	34.15	20.5	55.5	56.1
DBAS 971-23-** P/S * A083	48.55	45.7	39.9	42	26.8	55.5	56.1
DBAS 971-25-** P/S * A083	48.55	45.7	39.9	42	26.8	55.5	56.1

Dimensions in mm  
For accessories tightening torque strength, please refer to page 30.

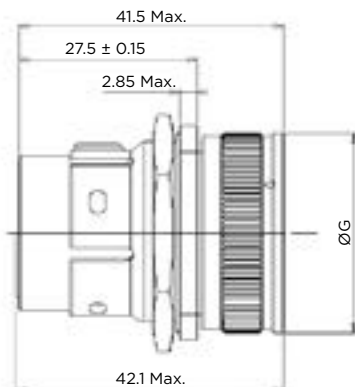
Female inserts protrude from the FRONT face of all receptacles types 70, 71 and 74.

# DEUTSCH DBAS 9 Connectors

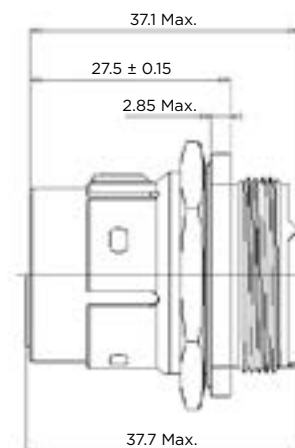
## DBAS 974-Jam-Nut Mounted Flange Receptacle / With Straight Cable Clamp



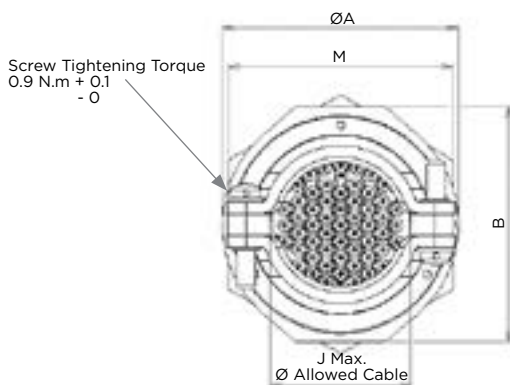
DBAS 974



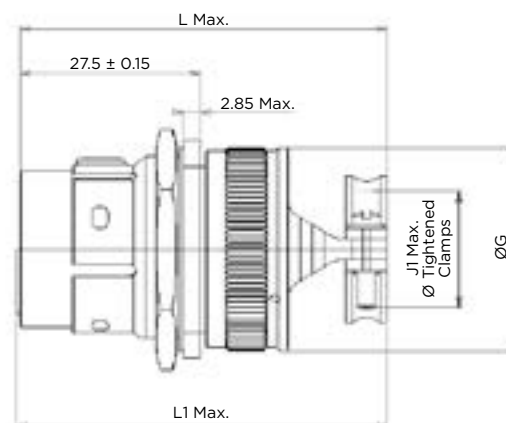
DBAS 974 With Nut



DBAS 974 Without Nut (Mod 1A)



DBAS 974 With Straight Cable Clamp



DBAS 974 With Straight Cable Clamp (059)

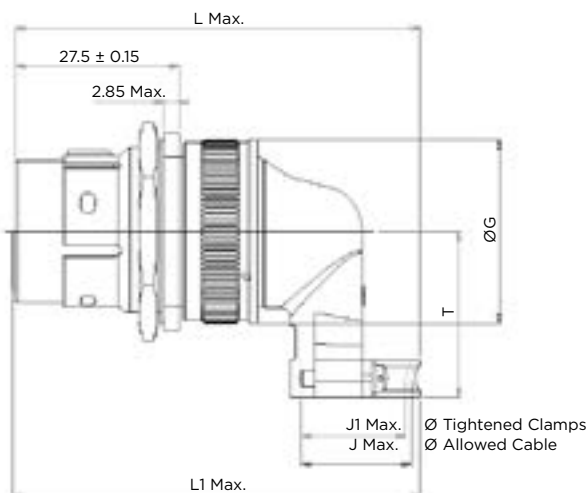
Part Number	Part Number without Nut	Part Number with Straight Cable Clamp	A Max	B Max	G Max	M Max	Max, Nut Panel Tightening Torque	J Max*	With Straight Cable Clamp		
									J1 Max	L Max	L1 Max
DBAS 974-09-** P/S*	DBAS 974-09-** P/S * 1A	DBAS 974-09-** P/S * 059	19.2	19.2	17	16.31	See FIT 107-B BS 574	6.6	5.15	50.5	51
DBAS 974-11-** P/S*	DBAS 974-11-** P/S * 1A	DBAS 974-11-** P/S * 059	22.4	22.4	21.8	21.07		12.75	10.55	50.5	51
DBAS 974-13-** P/S*	DBAS 974-13-** P/S * 1A	DBAS 974-13-** P/S * 059	27.2	27.2	25	24.24		14.6	12.05	56.5	57.1
DBAS 974-15-** P/S*	DBAS 974-15-** P/S * 1A	DBAS 974-15-** P/S * 059	30.4	29.6	28.25	27.4		17.8	15.85	56.5	57.1
DBAS 974-17-** P/S*	DBAS 974-17-** P/S * 1A	DBAS 974-17-** P/S * 059	33.6	33.5	30.95	32.18		19.8	17.95	56.5	57.1
DBAS 974-19-** P/S*	DBAS 974-19-** P/S * 1A	DBAS 974-19-** P/S * 059	33.6	33.5	30.95	32.18		19.8	17.95	56.5	57.1
DBAS 974-21-** P/S*	DBAS 974-21-** P/S * 1A	DBAS 974-21-** P/S * 059	38.3	36.3	34.15	35.36		23	21.05	56.5	57.1
DBAS 974-23-** P/S*	DBAS 974-23-** P/S * 1A	DBAS 974-23-** P/S * 059	47.8	47.2	42	43.02		30.1	27.45	56.5	57.1
DBAS 974-25-** P/S*	DBAS 974-25-** P/S * 1A	DBAS 974-25-** P/S * 059	47.8	47.2	42	43.02		30.1	27.45	56.5	57.1

Dimensions in mm  
For accessories tightening torque strength, please refer to page 30.

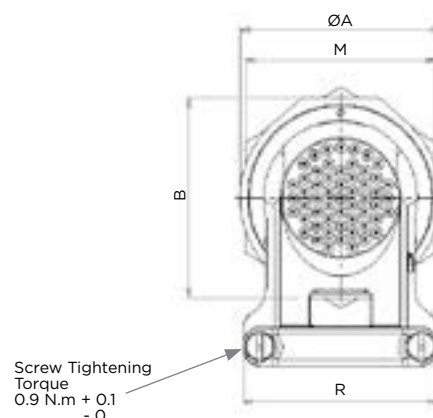
Female inserts protrude from the FRONT face of all receptacles types 70, 71 and 74. Panel sealing gasket to be ordered separately, see page 32.  
Panel cutout, see page 35.

# DEUTSCH DBAS 9 Connectors

## DBAS 974-With Elbowed Cable Clamp



DBAS 974 With Elbowed Cable Clamp

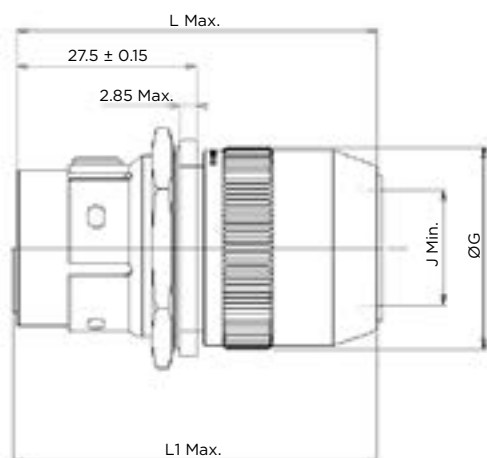


DBAS 974 With Elbowed Cable Clamp

Part Number with Elbowed Cable Clamp	A Max	B Max	G Max	M Max	Max, Nut Panel Tightening Torque	J Max	J1 Max	L Max	L1 Max	R Max	T Max
DBAS 974-09-** P/S * O81	19.2	19.2	17	16.31	See FIT 107-B BS 574	6.6	5.15	54.5	55.1	17.4	21.4
DBAS 974-11-** P/S * O81	22.4	22.4	21.8	21.07		12.75	10.55	59.6	60.2	23.6	23.8
DBAS 974-13-** P/S * O81	27.2	27.2	25	24.24		14.6	12.05	61.9	62.5	25.5	25.3
DBAS 974-15-** P/S * O81	30.4	29.6	28.25	27.4		17.8	15.85	65.3	65.9	29.7	26.8
DBAS 974-17-** P/S * O81	33.6	33.5	30.95	32.18		19.8	17.95	68.6	69.2	32.6	28.3
DBAS 974-19-** P/S * O81	33.6	33.5	30.95	32.18		19.8	17.95	68.6	69.2	32.6	28.3
DBAS 974-21-** P/S * O81	38.3	36.3	34.15	35.36		23	21.05	72	72.6	36	29.9
DBAS 974-23-** P/S * O81	47.8	47.2	42	43.02		30.1	27.45	78.6	79.2	42.8	33.5
DBAS 974-25-** P/S * O81	47.8	47.2	42	43.02		30.1	27.45	78.6	79.2	42.8	33.5

Dimensions in mm  
For accessories tightening torque strength, please refer to page 30

## DBAS 974-With Potting Cup



DBAS 974 With Potting Cup

Part Number with Potting Cup	A Max	B Max	G Max	M Max	Max, Nut Panel Tightening Torque	J mini	L Max	L1 Max
DBAS 974-09-** P/S * A083	19.2	19.2	17	16.31	See FIT 107-B BS 574	4.6	50.6	51.2
DBAS 974-11-** P/S * A083	22.4	22.4	21.8	21.07		10	50.6	51.2
DBAS 974-13-** P/S * A083	27.2	27.2	25	24.24		11.5	56.1	56.7
DBAS 974-15-** P/S * A083	30.4	29.6	28.25	27.4		15.3	56.1	56.7
DBAS 974-17-** P/S * A083	33.6	33.5	30.95	32.18		17.3	56.1	56.7
DBAS 974-19-** P/S * A083	33.6	33.5	30.95	32.18		17.3	56.1	56.7
DBAS 974-21-** P/S * A083	38.3	36.3	34.15	35.36		20.5	56.1	56.7
DBAS 974-23-** P/S * A083	47.8	47.2	42	43.02		26.8	56.1	56.7
DBAS 974-25-** P/S * A083	47.8	47.2	42	43.02		26.8	56.1	56.7

Dimensions in mm  
For accessories tightening torque strength, please refer to page 30.

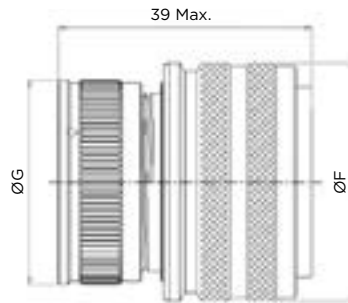
Female inserts protrude from the FRONT face of all receptacles types 70, 71 and 74. Panel sealing gasket to be ordered separately, see page 32.  
Panel cutout, see page 35.

# DEUTSCH DBAS 9 Connectors

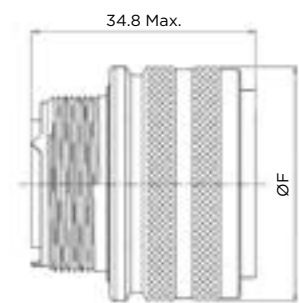
## DBAS 976-Feel-Control Locking Plug / With Straight Cable Clamp



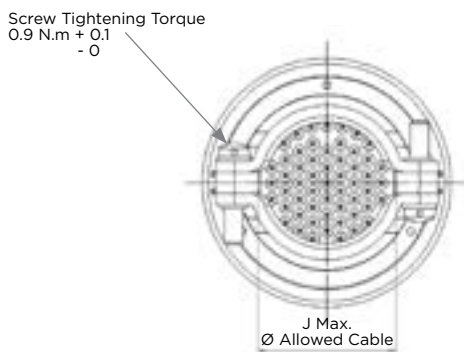
DBAS 976



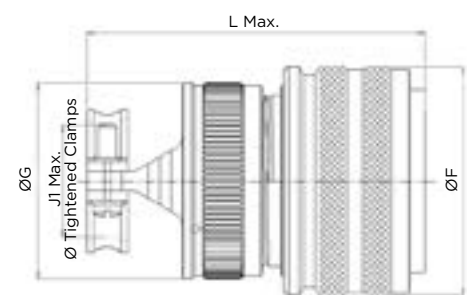
DBAS 976 With Nut



DBAS 976 Without Nut (Mod 1A)



DBAS 976 With Straight Cable Clamp



DBAS 976 With Straight Cable Clamp (059)

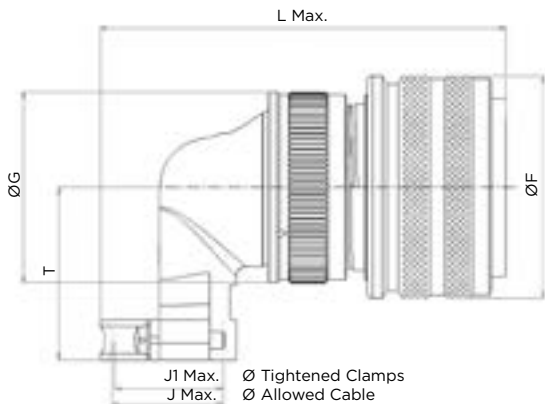
Part Number	Part Number without Nut	Part Number with Straight Cable Clamp	F Max	G Max	with Straight Cable Clamp		
					J Max	J1 Max	L Max
DBAS 976-09-**-** P/S*	DBAS 976-09-**-** P/S * 1A	DBAS 976-09-**-** P/S * 059	20.4	17	6.6	5.15	48
DBAS 976-11-**-** P/S*	DBAS 976-11-**-** P/S * 1A	DBAS 976-11-**-** P/S * 059	23.7	21.8	12.75	10.55	48
DBAS 976-13-**-** P/S*	DBAS 976-13-**-** P/S * 1A	DBAS 976-13-**-** P/S * 059	26.9	25	14.6	12.05	54
DBAS 976-15-**-** P/S*	DBAS 976-15-**-** P/S * 1A	DBAS 976-15-**-** P/S * 059	31.5	28.25	17.8	15.85	54
DBAS 976-17-**-** P/S*	DBAS 976-17-**-** P/S * 1A	DBAS 976-17-**-** P/S * 059	36.1	30.95	19.8	17.95	54
DBAS 976-19-**-** P/S*	DBAS 976-19-**-** P/S * 1A	DBAS 976-19-**-** P/S * 059	36.1	30.95	19.8	17.95	54
DBAS 976-21-**-** P/S*	DBAS 976-21-**-** P/S * 1A	DBAS 976-21-**-** P/S * 059	39.3	34.15	23	21.05	54
DBAS 976-23-**-** P/S*	DBAS 976-23-**-** P/S * 1A	DBAS 976-23-**-** P/S * 059	47.3	42	30.1	27.45	54
DBAS 976-25-**-** P/S*	DBAS 976-25-**-** P/S * 1A	DBAS 976-25-**-** P/S * 059	47.3	42	30.1	27.45	54

Dimensions in mm  
For accessories tightening torque strength, please refer to page 30

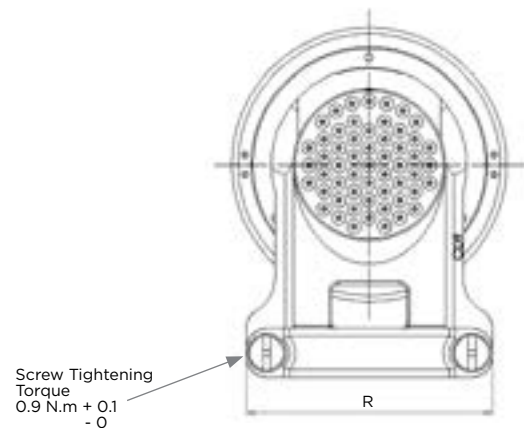


# DEUTSCH DBAS 9 Connectors

## DBAS 976-With Elbowed Cable Clamp



DBAS 976 With Elbowed Cable Clamp

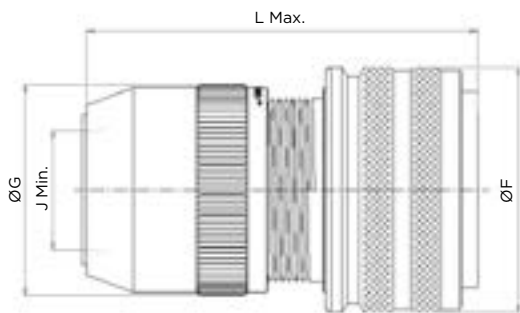


DBAS 976 With Elbowed Cable Clamp

Part Number with Elbowed Cable Clamp	F Max	G Max	J Max	J1 Max	L Max	R Max	T Max
DBAS 976-09-** P/S * 081	20.4	17	6.6	5.15	52	17.4	21.4
DBAS 976-11-** P/S * 081	23.7	21.8	12.75	10.55	57.1	23.6	23.8
DBAS 976-13-** P/S * 081	26.9	25	14.6	12.05	59.4	25.5	25.3
DBAS 976-15-** P/S * 081	31.5	28.25	17.8	15.85	62.8	29.7	26.8
DBAS 976-17-** P/S * 081	36.1	30.95	19.8	17.95	66.1	32.6	28.3
DBAS 976-19-** P/S * 081	36.1	30.95	19.8	17.95	66.1	32.6	28.3
DBAS 976-21-** P/S * 081	39.3	34.15	23	21.05	69.5	36	29.9
DBAS 976-23-** P/S * 081	47.3	42	30.1	27.45	76.1	42.8	33.5
DBAS 976-25-** P/S * 081	47.3	42	30.1	27.45	76.1	42.8	33.5

Dimensions in mm  
For accessories tightening torque strength, please refer to page 30

## DBAS 976-With Potting Cup



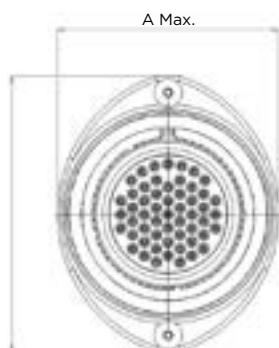
DBAS 976 With Potting Cup

Part Number with Potting Cup	F Max	G Max	J Mini	L Max
DBAS 976-09-** P/S * A083	20.4	17	4.6	48
DBAS 976-11-** P/S * A083	23.7	21.8	10	48
DBAS 976-13-** P/S * A083	26.9	25	11.5	53.6
DBAS 976-15-** P/S * A083	31.5	28.25	15.3	53.6
DBAS 976-17-** P/S * A083	36.1	30.95	17.3	53.6
DBAS 976-19-** P/S * A083	36.1	30.95	17.3	53.6
DBAS 976-21-** P/S * A083	39.3	34.15	20.5	53.6
DBAS 976-23-** P/S * A083	47.3	42	26.8	53.6
DBAS 976-25-** P/S * A083	47.3	42	26.8	53.6

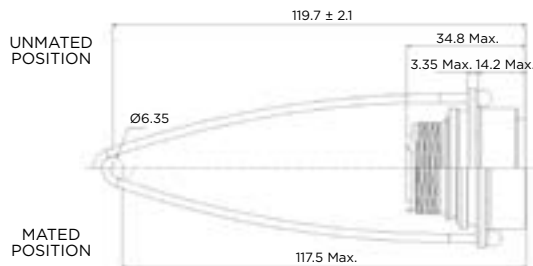
Dimensions in mm  
For accessories tightening torque strength, please refer to page 30

# DEUTSCH DBAS 9 Connectors

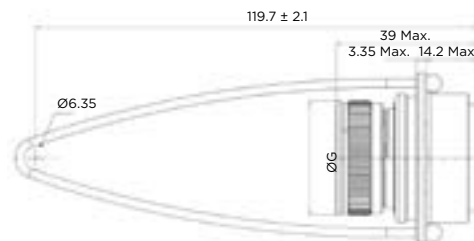
## DBAS 978-With Heavy Duty Lanyard / With Straight Cable Clamp



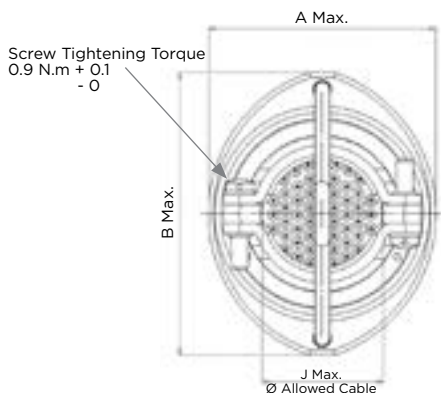
DBAS 978



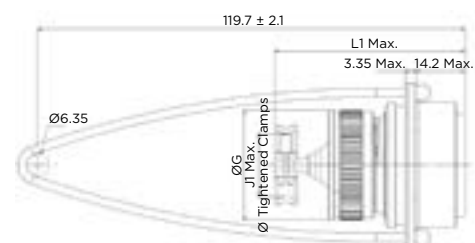
DBAS 978 Without Nut (Mod 1A)



DBAS 978 With Nut



DBAS 978 With Straight Cable Clamp



DBAS 978 With Straight Cable Clamp (059)

Part Number	Part Number without Nut	Part Number with Straight Cable Clamp	A Max	B Max	G Max	With Straight Cable Clamp		
						J Max	J1 Max	L1 Max
DBAS 978-09-** P/S	DBAS 978-09-** P/S 1A	DBAS 978-09-** P/S 059	23.3	31.85	17	6.6	5.15	48
DBAS 978-11-** P/S	DBAS 978-11-** P/S 1A	DBAS 978-11-** P/S 059	26.8	35.65	21.8	12.75	10.55	48
DBAS 978-13-** P/S	DBAS 978-13-** P/S 1A	DBAS 978-13-** P/S 059	29.6	38.7	25	14.6	12.05	54
DBAS 978-15-** P/S	DBAS 978-15-** P/S 1A	DBAS 978-15-** P/S 059	33.55	42.5	28.25	17.8	15.85	54
DBAS 978-17-** P/S	DBAS 978-17-** P/S 1A	DBAS 978-17-** P/S 059	37.2	46.2	30.95	19.8	17.95	54
DBAS 978-19-** P/S	DBAS 978-19-** P/S 1A	DBAS 978-19-** P/S 059	37.2	46.2	30.95	19.8	17.95	54
DBAS 978-21-** P/S	DBAS 978-21-** P/S 1A	DBAS 978-21-** P/S 059	40.7	48.45	34.15	23	21.05	54
DBAS 978-23-** P/S	DBAS 978-23-** P/S 1A	DBAS 978-23-** P/S 059	47.85	56.6	42	30.1	27.45	54
DBAS 978-25-** P/S	DBAS 978-25-** P/S 1A	DBAS 978-25-** P/S 059	47.85	56.6	42	30.1	27.45	54

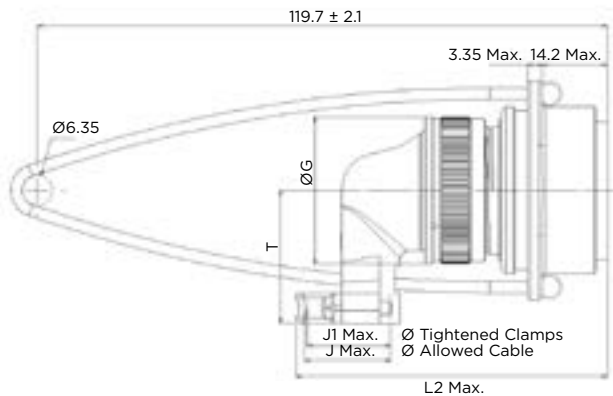
Dimensions in mm

For accessories tightening torque strength, please refer to page 30. Traction angle  $\pm 15^\circ$  in all axis. For lanyard lengths, see page 17. For specific lengths of lanyard, consult us.

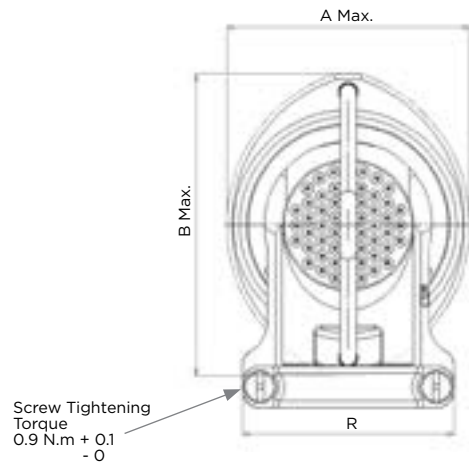
Female inserts protrude from the FRONT face of all receptacles types 70, 71 and 74. Panel sealing gasket to be ordered separately, see page 32. Panel cutout, see page 35.

# DEUTSCH DBAS 9 Connectors

## DBAS 978-With Elbowed Cable Clamp



DBAS 978 With Elbowed Cable Clamp



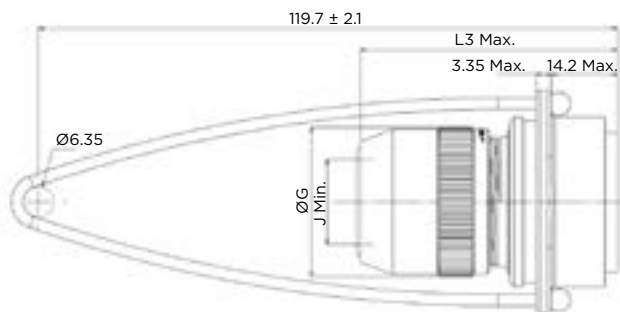
DBAS 978 With Elbowed Cable Clamp

Part Number with Elbowed Cable Clamp	A Max	B Max	G Max	J Max	J1 Max	L2 Max	R Max	T Max
DBAS 978-09-** P/S * 081	23.3	31.85	17	6.6	5.15	52	17.4	21.4
DBAS 978-11-** P/S * 081	26.8	35.65	21.8	12.75	10.55	57.1	23.6	23.8
DBAS 978-13-** P/S * 081	29.6	38.7	25	14.6	12.05	59.4	25.5	25.3
DBAS 978-15-** P/S * 081	33.55	42.5	28.25	17.8	15.85	62.8	29.7	26.8
DBAS 978-17-** P/S * 081	37.2	46.2	30.95	19.8	17.95	66.1	32.6	28.3
DBAS 978-19-** P/S * 081	37.2	46.2	30.95	19.8	17.95	66.1	32.6	28.3
DBAS 978-21-** P/S * 081	40.7	48.45	34.15	23	21.05	69.5	36	29.9
DBAS 978-23-** P/S * 081	47.85	56.6	42	30.1	27.45	76.1	42.8	33.5
DBAS 978-25-** P/S * 081	47.85	56.6	42	30.1	27.45	76.1	42.8	33.5

Dimensions in mm

For accessories tightening torque strength, please refer to page 30

## DBAS 978-With Potting Cup



DBAS 978 With Potting Cup

Part Number with Potting Cup	A Max	B Max	G Max	J Min	J1 Max	L3 Max
DBAS 978-09-** P/S * A083	23.3	31.85	17	6.6	5.15	48
DBAS 978-11-** P/S * A083	26.8	35.65	21.8	12.75	10.55	48
DBAS 978-13-** P/S * A083	29.6	38.7	25	14.6	12.05	53.6
DBAS 978-15-** P/S * A083	33.55	42.5	28.25	17.8	15.85	53.6
DBAS 978-17-** P/S * A083	37.2	46.2	30.95	19.8	17.95	53.6
DBAS 978-19-** P/S * A083	37.2	46.2	30.95	19.8	17.95	53.6
DBAS 978-21-** P/S * A083	40.7	48.45	34.15	23	21.05	53.6
DBAS 978-23-** P/S * A083	47.85	56.6	42	30.1	27.45	53.6
DBAS 978-25-** P/S * A083	47.85	56.6	42	30.1	27.45	53.6

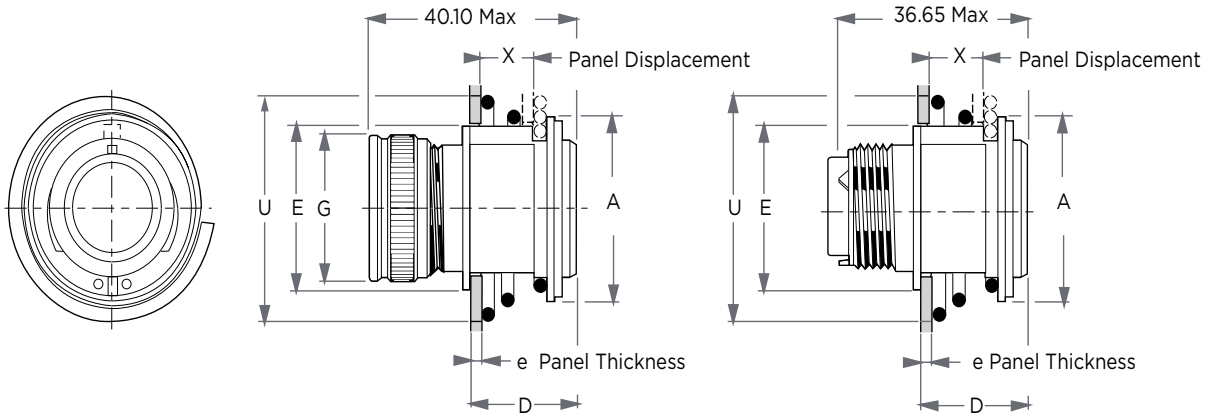
Dimensions in mm

For accessories tightening torque strength, please refer to page 30.

Traction angle  $\pm 15^\circ$  in all axis. For lanyard lengths, see page 17. For specific lengths of lanyard, consult us.

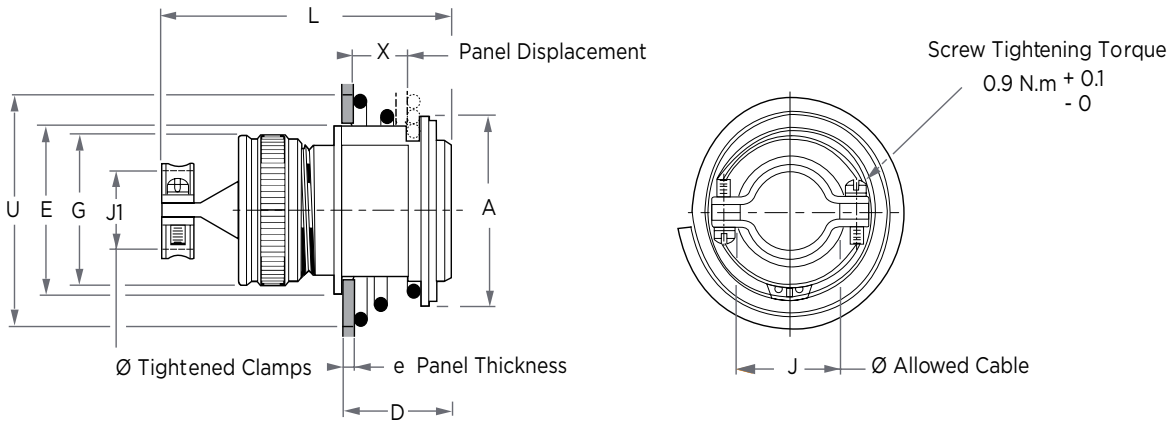
# DEUTSCH DBAS 9 Connectors

## DBAS 979-Rack and Panel / With Straight Cable Clamp



DBAS 979 with Nut

DBAS 979 without Nut



DBAS 979 with Straight Cable Clamp

DBAS 979 with Straight Cable Clamp

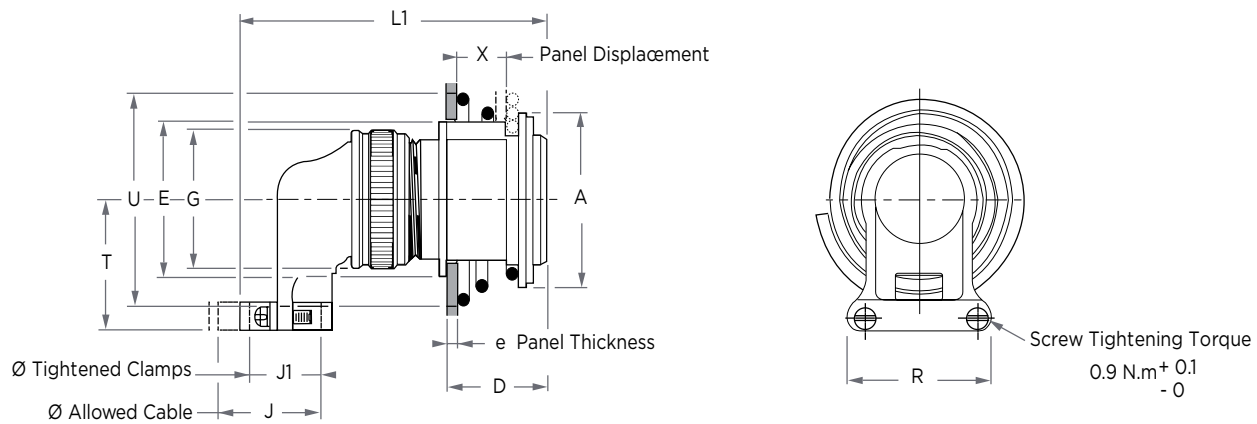
Part Number Reference	Part Number without Nut	Part Number with Straight Cable Clamp	A Max	D Max	E Max*	G Max	With Straight Cable Clamp			U Max	X Max	Compression Force for X	
							J Max	J1 Max	L Max			Max	Nul
DBAS 979-09-**-** P/S*	DBAS 979-09-**-** P/S * 1A	DBAS 979-09-**-** P/S * 059	22.45	21	19.3	17	6.6	5.15	49.1	31	13.95 - e	1.6 daN.m	0.3 daN.m
DBAS 979-11-**-** P/S*	DBAS 979-11-**-** P/S * 1A	DBAS 979-11-**-** P/S * 059	29.6	20.8	24.4	21.8	12.75	10.55	49.1	34.3	12.3 - e	3.3 daN.m	0.7 daN.m
DBAS 979-13-**-** P/S*	DBAS 979-13-**-** P/S * 1A	DBAS 979-13-**-** P/S * 059	31.9	20.8	27.25	25	14.6	12.05	55.1	39.75	12.45 - e	5 daN.m	1.2 daN.m
DBAS 979-15-**-** P/S*	DBAS 979-15-**-** P/S * 1A	DBAS 979-15-**-** P/S * 059	35.15	20.8	32	28.25	17.8	15.85	55.1	43.4	12.15 - e	8.7 daN.m	1.9 daN.m
DBAS 979-17-**-** P/S*	DBAS 979-17-**-** P/S * 1A	DBAS 979-17-**-** P/S * 059	38.7	20.6	35.75	30.95	19.8	17.95	55.1	47.15	11.8 - e	11.8 daN.m	2.7 daN.m
DBAS 979-19-**-** P/S*	DBAS 979-19-**-** P/S * 1A	DBAS 979-19-**-** P/S * 059	38.7	20.6	35.75	30.95	19.8	17.95	55.1	47.15	11.8 - e	11.8 daN.m	2.7 daN.m
DBAS 979-21-**-** P/S*	DBAS 979-21-**-** P/S * 1A	DBAS 979-21-**-** P/S * 059	45.95	20.6	40.6	34.15	23	21.05	55.1	53.5	11.6 - e	15.6 daN.m	5 daN.m
DBAS 979-23-**-** P/S*	DBAS 979-23-**-** P/S * 1A	DBAS 979-23-**-** P/S * 059	54.4	20.4	40.4	42	30.1	27.45	55.1	72	9.35 - e	22 daN.m	6.1 daN.m
DBAS 979-25-**-** P/S*	DBAS 979-25-**-** P/S * 1A	DBAS 979-25-**-** P/S * 059	54.4	20.4	40.4	42	30.1	27.45	55.1	72	9.35 - e	22 daN.m	6.1 daN.m

Dimensions in mm

To be used with the spring compressed to the maximum. Panel displacement X depends on thickness (e) chosen by the user. Panel cutout, see page 35. Rack system mounting, see page 41.

# DEUTSCH DBAS 9 Connectors

## DBAS 979-With Elbowed Cable Clamp



Part Number with Elbowed Cable Clamp	A Max	D Max	E Max*	G Max	J Max	J1 Max	L1 Max	R Max	T Max	U Max	X Max	Compression Force for X	
												Max	Nul
DBAS 979-09-** P/S * 081	22.45	21	19.3	17	6.6	5.15	53.25	17.4	21.4	31	13.95 - e	1.6 daN.m	0.3 daN.m
DBAS 979-11-** P/S * 081	29.6	20.8	24.4	21.8	12.75	10.55	58.35	23.6	23.8	34.3	12.3 - e	3.3 daN.m	0.7 daN.m
DBAS 979-13-** P/S * 081	31.9	20.8	27.25	25	14.6	12.05	60.6	25.5	25.3	39.75	12.45 - e	5 daN.m	1.2 daN.m
DBAS 979-15-** P/S * 081	35.15	20.8	32	28.25	17.8	15.85	64	29.7	26.8	43.4	12.15 - e	8.7 daN.m	1.9 daN.m
DBAS 979-17-** P/S * 081	38.7	20.6	35.75	30.95	19.8	17.95	67.45	32.6	28.3	47.15	11.8 - e	11.8 daN.m	2.7 daN.m
DBAS 979-19-** P/S * 081	38.7	20.6	35.75	30.95	19.8	17.95	67.45	32.6	28.3	47.15	11.8 - e	11.8 daN.m	2.7 daN.m
DBAS 979-21-** P/S * 081	45.95	20.6	40.6	34.15	23	21.05	70.8	36	29.9	53.5	11.6 - e	15.6 daN.m	5 daN.m
DBAS 979-23-** P/S * 081	54.4	20.4	40.4	42	30.1	27.45	77.4	42.8	33.5	72	9.35 - e	22 daN.m	6.1 daN.m
DBAS 979-25-** P/S * 081	54.4	20.4	40.4	42	30.1	27.45	77.4	42.8	33.5	72	9.35 - e	22 daN.m	6.1 daN.m

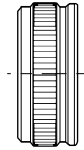
Dimensions in mm

To be used with the spring compressed to the maximum. Panel displacement X depends on thickness (e) chosen by the user. Panel cutout, see page 35. Rack system mounting, see page 41.

# DEUTSCH DBAS 9 Connectors

## Accessories

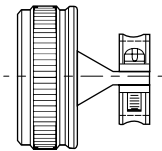
### Nut



Size	Part Number
9	006-0909-03 A499
11	006-0909-12 A499
13	006-0909-14 A499
15	006-0909-16 A499
17 and 19	006-0909-18 A499
21	006-0909-20 A499
23 and 25	006-0909-61 A499

### Straight Cable Clamp

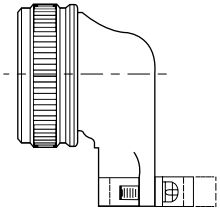
Mod. 059



Size	Part Number
9	006-0910-03 A499
11	006-0910-12 A499
13	006-0910-14 A499
15	006-0910-16 A499
17 and 19	006-0910-18 A499
21	006-0910-20 A499
23 and 25	006-0910-61 A499

### Elbowed Cable Clamp

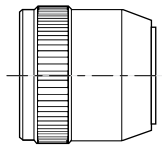
Mod. 081



Size	Part Number
9	006-0908-03 A499
11	006-0908-12 A499
13	006-0908-14 A499
15	006-0908-16 A499
17 and 19	006-0908-18 A499
21	006-0908-20 A499
23 and 25	006-0908-61 A499

### Potting Cup

Mod. A083

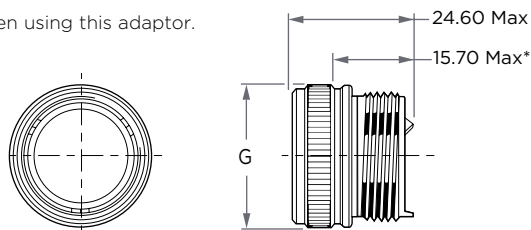


Size	Part Number
9	006-0701-03 A499
11	006-0701-12 A499
13	006-0701-14 A499
15	006-0701-16 A499
17 and 19	006-0701-18 A499
21	006-0701-20 A499
23 and 25	006-0701-61 A499

### Adaptor

\* Functional lengthening when using this adaptor.

Mod. A 140



Size	Part Number	G Max
9	006-0884-03 A499	17.00
11	006-0884-12 A499	21.80
13	006-0884-14 A499	25.00
15	006-0884-16 A499	28.25
17 and 19	006-0884-18 A499	30.95
21	006-0884-20 A499	34.15
23 and 25	006-0884-61 A499	42.00

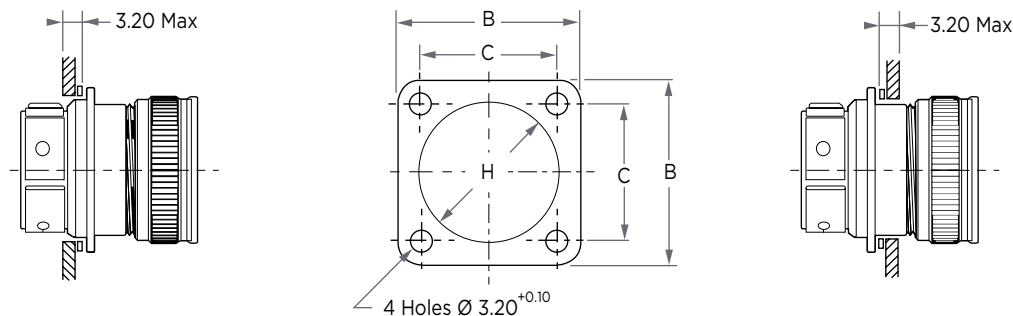
Dimensions in mm

Size	Accessories Tightening Torques (± 10%)
9	0.40 daN.m
11	0.50 daN.m
13	0.60 daN.m
15	0.65 daN.m
17 and 19	0.70 daN.m
21	0.75 daN.m
23 and 25	0.95 daN.m



# DEUTSCH DBAS 9 Connectors

## Panel Sealing Gasket and O Ring for Receptacles



Front Flange Mounting				Rear Flange Mounting			
Size	Part Number	H max	B max	C max	H max	Part Number	Size
9	108-0007-03	14.80	22.50	15.90	14.80	108-0006-03	9
11	108-0007-07	17.70	25.70	18.26	18.80	108-0008-07	11
13	108-0007-12	21.10	28.10	20.62	22.00	108 0008 12	13
15	108-0007-19	24.30	30.50	23.02	25.10	108 0008 19	15
17 and 19	108-0007-27	29.00	32.80	24.58	27.50	108-0006-27	17 and 19
21	108-0007-37	32.30	36.80	30.12	30.50	108 0008 37	21
23 and 25	108-0007-61	40.20	45.50	36.48	38.50	108 0008 61	23 and 25

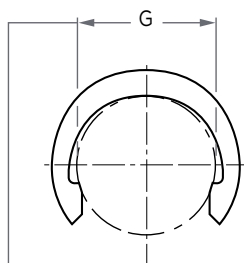
Dimensions in mm

### O Ring

Size	Part number
9	103-0001-15
11	103-0001-17
13	103-0001-19
15	103-0001-22
17 and 19	103-0001-24
21	103-0001-26
23 and 25	103-0003-29

## Leading Clips for Plugs and Protective Caps

### For protective caps

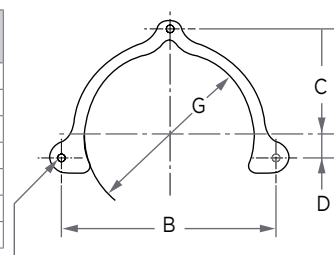


Size	Part Number
9	100-0065-03
11	100-0065-07
13	100-0065-12
15	100-0065-19
17 and 19	100-0009-27
21	100-0009-37
23 and 25	100-0065-61

Nominal Dimension Ø

For protective caps part numbers, consult us

### For plugs



3 Holes Ø 1<sup>+0.05</sup>

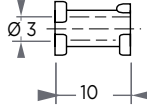
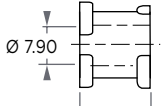
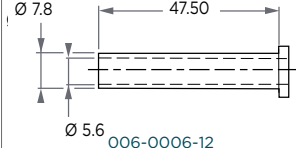
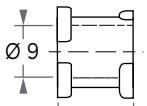
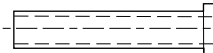
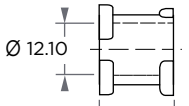
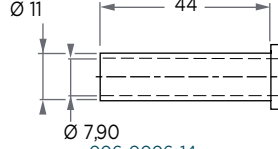
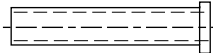
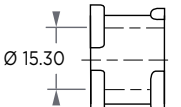
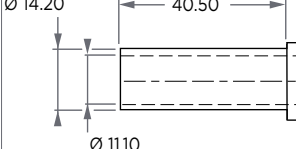
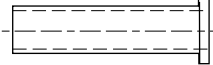
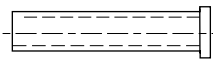
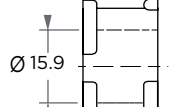
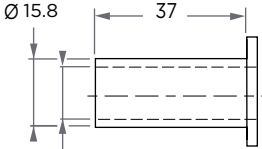
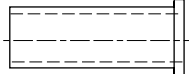
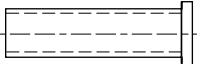

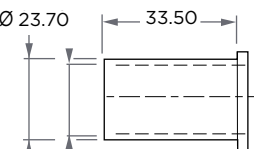
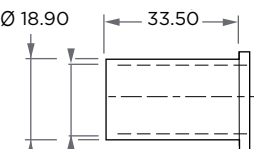
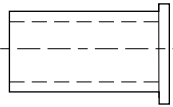
Size	Part Number	B ±0,1	C ±0,1	D ±0,1	G
9	025-0792-03	21.20	10.80	2.00	15.00
11	025-0792-07	24.00	12.30	2.40	17.50
13	025-0792-12	27.60	14.00	2.70	21.30
15	025-0792-19	32.00	16.20	3.25	25.00
17 and 19	025-0792-27	36.60	18.60	3.75	28.40
21	025-0792-37	39.60	20.20	4.00	31.10
23 and 25	025-0792-61	47.00	24.00	5.20	40.20

Dimensions in mm



# DEUTSCH DBAS 9 Connectors

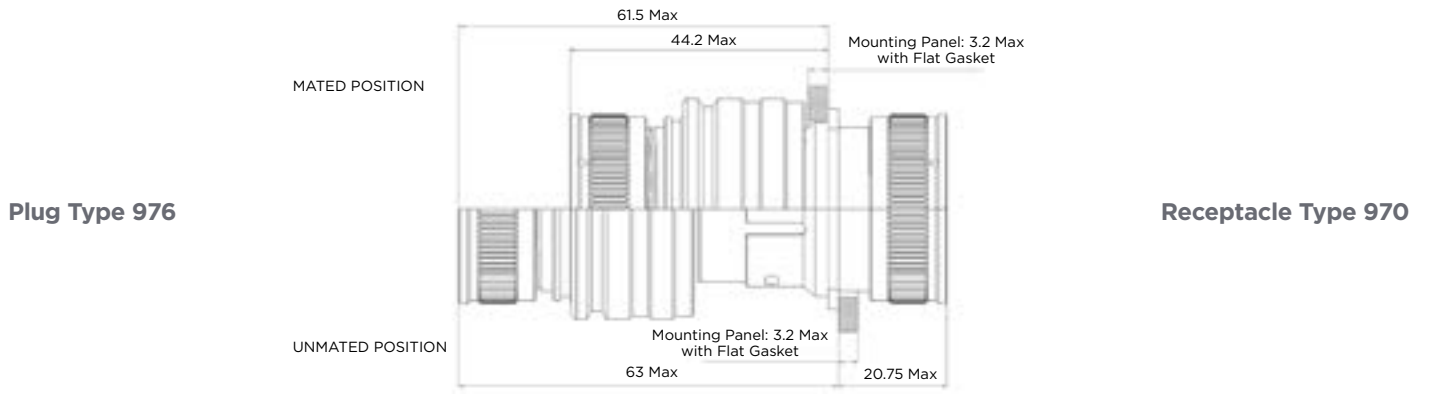
## Cable Clamp Sleeves

Size	Main Bushings	Middle Bushings		
<b>09</b>	 <p>Ø 3 10 006-0005-08</p>			
<b>11</b>	 <p>Ø 7.90 10 006-0005-12</p>	 <p>Ø 7.8 47.50 Ø 5.6 006-0006-12</p>		
<b>13</b>	 <p>Ø 9 10 006-0005-14</p>	 <p>006-0005-14</p>		
<b>15</b>	 <p>Ø 12.10 10 006-0005-16</p>	 <p>Ø 11 44 Ø 7.90 006-0006-14</p>	 <p>006-0006-12</p>	
<b>17 and 19</b>	 <p>Ø 15.30 10 006-0005-18</p>	 <p>Ø 14.20 40.50 Ø 11.10 006-0006-18</p>	 <p>006-0006-14</p>	 <p>006-0006-12</p>
<b>21</b>	 <p>Ø 15.9 10 006-0005-20</p>	 <p>Ø 15.8 37 Ø 14.3 006-0005-20</p>	 <p>006-0006-18</p>	 <p>006-0006-14</p>
<b>23 and 25</b>	 <p>Ø 23.80 10 006-0005-61</p>	 <p>Ø 23.70 33.50 Ø 19 006-0006-24</p>	 <p>Ø 18.90 33.50 Ø 15.90 006-0006-22</p>	 <p>006-0006-20</p>

# DEUTSCH DBAS 9 Connectors

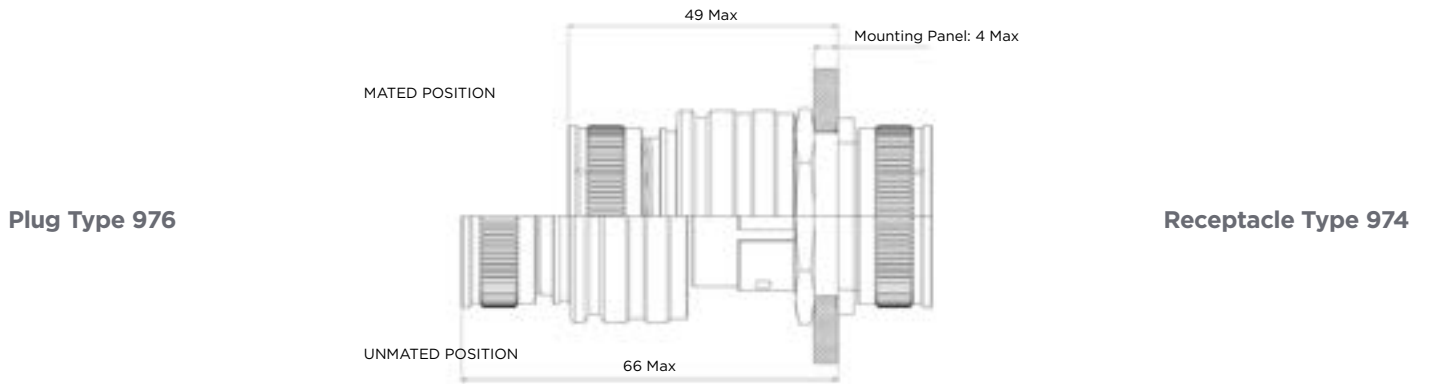
## Mating - Unmating Dimensions

### Mating DBAS 976 with 970



Dimensions in mm

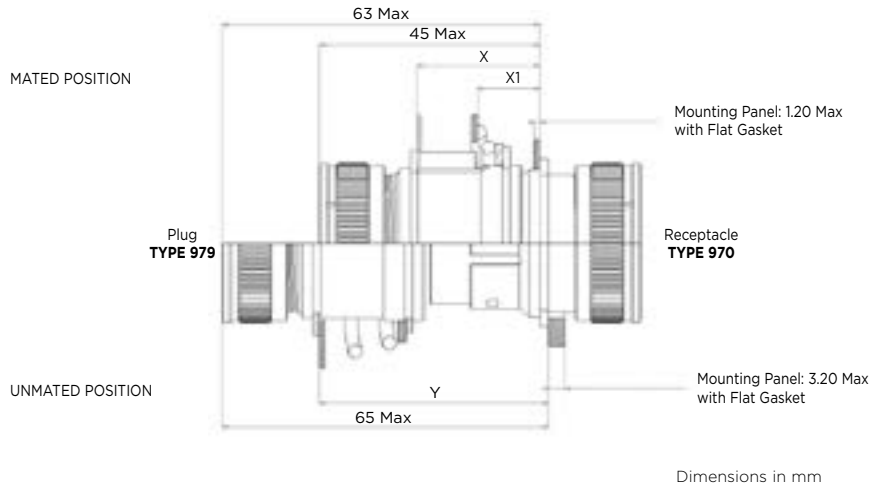
### Mating DBAS 976 with 974



Dimensions in mm

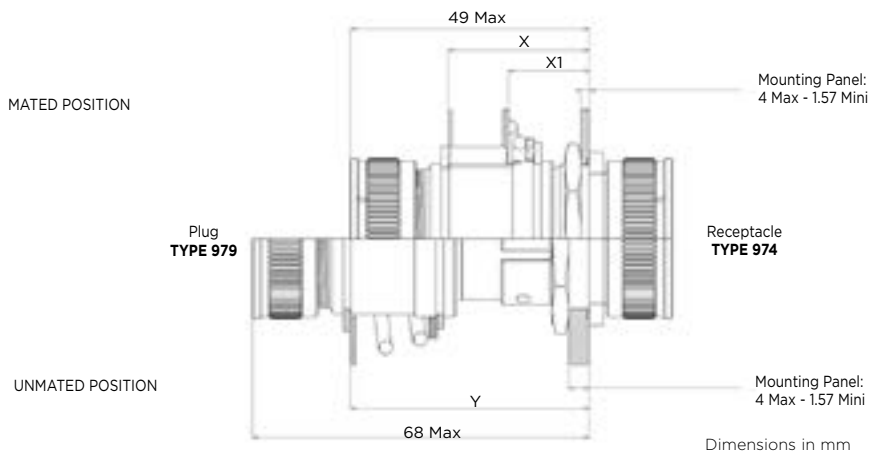
# DEUTSCH DBAS 9 Connectors

## Mating DBAS 979 with 970



Size	X max	X1 ± 0.8	Y min
9	25	12.71	43.2
11	24.8	12.51	43.1
13	24.8	12.53	43.1
15	24.8	12.87	43.1
17	24.6	12.15	42.8
19	24.6	12.15	42.8
21	24.6	12.34	42.8
23	24.3	13.48	42.5
25	24.3	13.48	42.5

## Mating DBAS 979 with 974



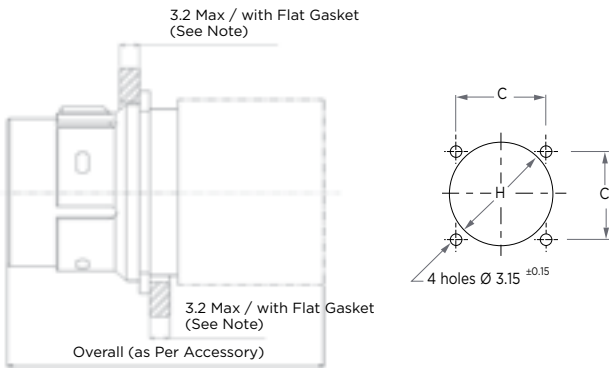
Size	X max	X1 ± 0.65	Y min
9	28.3	16.22	46.2
11	28.2	16.02	46.3
13	28.2	16.04	46.3
15	28.2	16.38	46.3
17	27.9	15.66	46.3
19	27.9	15.66	46.3
21	27.9	15.85	46.3
23	27.6	17	46.3
25	27.6	17	46.3

# DEUTSCH DBAS 9 Connectors

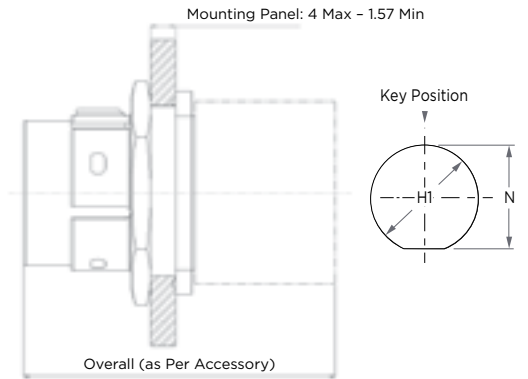
## Panel Cutout

### For Sealed Receptacles

#### Square Flange

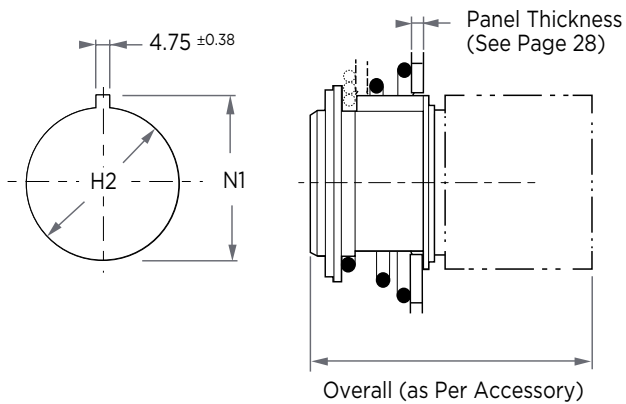


#### Jam-Nut Mounted



Note: For utilization on rack connectors, see page 34.

#### Rack and Panel Connector



Size	C $\pm 0.1$	H + 0 - 0.2	H1 + 0.2 - 0	H2 $\pm 0.38$	N + 0.1 - 0	N1 $\pm 0.38$
09	15.90	14.80	14.40	17.04	13.56	21.41
11	18.26	19.40	17.55	20.62	16.79	24.99
13	20.62	22.60	20.73	23.80	19.91	27.96
15	23.02	25.75	25.48	26.97	24.61	31.34
17 and 19	24.58	28.95	28.65	30.56	27.81	34.92
21	30.12	32.35	31.83	34.92	30.99	38.89
23 and 25	36.48	40.20	38.20	42.85	37.26	47.22

# DEUTSCH DBAS 9 Connectors

## Mating - Unmating Forces

Shell Size	Maximum Mating - Unmating Force		Minimum Unmating Force	
	Push-Pull	Rack and Panel	Push-Pull	Rack and Panel
9	6.8	8.01	0.56	0.06
11	8.9	8.90	0.66	0.15
13	15.1	16.90	0.89	0.25
15	16.9	20.46	1.33	0.40
17 and 19	17.8	20.46	1.78	0.56
21	19.6	22.24	2.69	0.77
23 and 25	21.8	30.25	3.11	0.94

DBAS 978GR, Minimum unmating force for sizes 03 and 07: 3,5 daN. for sizes 12 to 61: 4 daN. (More than standard specification SAE/AS 81703)

## Mass

Connectors weight in gram  $\pm 5$  gr, without nut and contacts.

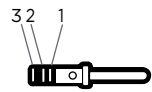
Size	Type	Shells Types				
		970/971	974	976	978	979
3	P					
	S					
7	P					
	S					
12	P					
	S		<b>Please</b>			
19	P		<b>Consult Us</b>			
	S					
27	P					
	S					
37	P					
	S					
61	P					
	S					

**P** male contact  
**S** female contact

# DEUTSCH DBAS 9 Connectors

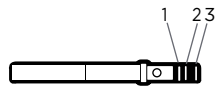
## Contacts

Color code

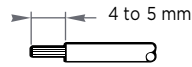


Male Contact

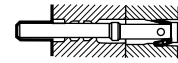
Color code



Female Contact



Wires Strip Length



Connector Rear Face

Active Area / Mating Size	Part Number	Former System Part Number	MIL Ref.	Type	Color Bands		Marking Yellow or Black	Contact Material	Barrel
					AS39029 (3-2-1)	EN3155 (2-1)			
22	<b>724-0001-22</b>	—	<b>M39029/58-360</b>	<b>P</b>	<b>Orange-Blue-Black</b>	—	—	—	<b>Standard</b>
	<b>724-0007-22</b>	—	<b>M39029/56-348</b>	<b>S</b>	<b>Orange-Yellow-Grey</b>	—	—	—	<b>Standard</b>
22	182-0441-22*	—	M39029/107-620	P	Blue-Red-Black	—	—	—	Standard
	182-0447-22*	—	M39029/106-634	S	Blue-Brown-Yellow	—	—	—	Standard
20	<b>724-0001-20</b>	—	<b>M39029/58-363</b>	<b>P</b>	<b>Orange-Blue-Orange</b>	—	—	—	<b>Standard</b>
	<b>724-0007-20</b>	—	<b>M39029/56-351</b>	<b>S</b>	<b>Orange-Green-Brown</b>	—	—	—	<b>Standard</b>
20	724-1105-20	—	—	P	—	Green-Red	—	—	Standard
	724-1106-20	—		S					
20	182-0068-20	—	—	P	—	Red-Red	Black	Kn	Standard
	182-0009-20	—		S					
20	182-0069-20	—	—	P	—	Red-Red	Yellow	Kp	Standard
	182-0010-20	—		S					
20	182-0441-20*	—	M39029/107-621	P	Blue-Red-Brown	—	—	—	Standard
	182-0447-20*	—	M39029/106-615	S	Blue-Brown-Green				
16	<b>724-0001-16</b>	—	<b>M39029/58-364</b>	<b>P</b>	<b>Orange-Blue-Yellow</b>	—	—	—	<b>Standard</b>
	<b>724-0007-16</b>	—	<b>M39029/56-352</b>	<b>S</b>	<b>Orange-Green-Red</b>				
16	182-0441-16*	—	M39029/107-622	P	Blue-Red-Red	—	—	—	Standard
	182-0447-16*	—	M39029/106-636	S	Blue-Brown-Blue				
12	<b>724-0001-12</b>	—	<b>M39029/58-365</b>	<b>P</b>	<b>Orange-Blue-Green</b>	—	—	—	<b>Standard</b>
	<b>724-0007-12</b>	—	<b>M39029/56-353</b>	<b>S</b>	<b>Orange-Green-Orange</b>				
12	182-0441-12*	—	M39029/107-623	P	Blue-Red-Orange	—	—	—	Standard
	182-0447-12*	—	M39029/106-617	S	Blue-Brown-Purple				
8	182-0001-08	—	—	P	—	—	—	—	Standard
	182-0003-08	—		S					
8	724-0001-08	—	—	P	—	—	—	—	Standard
	724-0003-08	—		S					

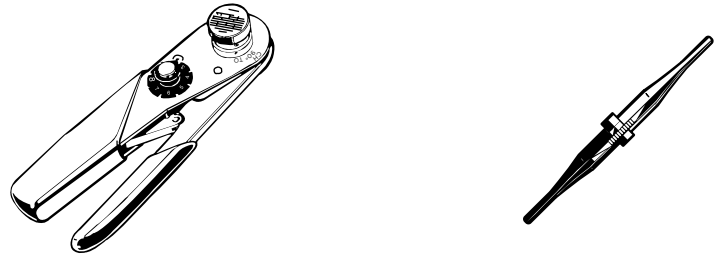
\*1500 cycles

### Standard contacts delivered with connector

Note: According to ISO 8843 norm, it is possible to have only one band, only if the color of bands 1 and 2 is identical.

# DEUTSCH DBAS 9 Connectors

## Tools



Wire Range		Sealing Plug	Crimp Tool		Positioner		Insertion/Extraction Tool
AWG	mm <sup>2</sup>	Ref.	Part Number	MIL Part Number	Part Number	MIL Part Number	
22-26	0.15 - 0.4	028-0102-22 (Yellow)	057-0463-12	M22520/2-01	057-0467-32	M22520/2-09	M81969/14-01 057-0286-22
					057-0468-32	M22520/2-07	
22-26	0.15 - 0.4	028-0102-22 (Yellow)	057-0463-12	M22520/2-01	057-0467-32	M22520/2-09	M81969/14-01 057-0286-22
					057-0468-32	M22520/2-07	
20-24	0.25 - 0.6	006-0893-20 (Red)	057-0461-11	M22520/2-01	057-0466-21	M22520/1-04	M15570-20 006-0902-20
26-30	0.055 - 0.15	006-0893-20 (Red)	057-0463-12	M22520/2-01	057-0464-32	M22520/2-02	M15570-20 006-0902-20
20-24	0.25 - 0.6	006-0893-20 (Red)	057-0461-11	M22520/2-01	057-0466-21	M22520/1-04	M15570-20 006-0902-20
20-24	0.25 - 0.6	006-0893-20 (Red)	057-0461-11	M22520/2-01	057-0466-21	M22520/1-04	M15570-20 006-0902-20
20-24	0.25 - 0.6	006-0893-20 (Red)	057-0461-11	M22520/2-01	057-0466-21	M22520/1-04	M15570-20 006-0902-20
16-20	0.60 - 1.2	006-0893-16 (Blue)	057-0461-11	M22520/2-01	057-0466-21	M22520/1-04	M15570-16 006-0902-16
16-20	0.60 - 1.2	006-0893-16 (Blue)	057-0461-11	M22520/2-01	057-0466-21	M22520/1-04	M15570-16 006-0902-16
12-14	2 - 3	006-0892-12 (Yellow)	057-0461-11	M22520/2-01	057-0466-21	M22520/1-04	M15570-12 006-0902-12
12-14	2 - 3	006-0892-12 (Yellow)	057-0461-11	M22520/2-01	057-0466-21	M22520/1-04	M15570-12 006-0902-12
8	8.98	—	057-0540-10	M300BT	057-0065-05 A	SP593	M81969/14-06 057-0286-08
8	8.98	—	057-0540-10	M300BT	057-0065-05 A	SP593	M81969/14-06 057-0286-08

# DEUTSCH DBAS 9 Connectors

## Coax Size 16

Part Number	Former Part Number	Type	Cable	Crimping of the Contact		Crimping of the Sleeve		Insertion/Extraction Tool
				Crimp Tool	Positioner	Crimp Tool	Positioner	
724-0004-16	—	P	RG 174 / 316 / 179	M22520/2-01	M22520/2-35	M22520/4-01	M22520/4-02	M15570-16 006-0902-16
724-0005-16	—	S						

## Coax Size 12

AS39029 Qualified Coax Size 12							
Part Number	AS39029 Spec	Type	Inner Contact Crimp Tool	Inner Contact Positioner	Sleeve Crimp Tool	Sleeve Positioner	Insertion/Extraction Tool
6162-233-1277	AS39029/28-211	P	M22520/2-01	M22520/2-34	M22520/31-01	M22520/31-02	M81969/14-04
6162-217-1277	AS39029/75-416	S					

Part Number	AS39029 Spec	Type	Outer Contact Crimp Tool	Outer Contact Positioner	Insertion/Extraction Tool
6162-324-1231	AS39029/102-558	P	M22520/5-01	M22520/5-03	M81969/8-09, M81969/14-04
6162-325-1231	AS39029/103-559	S			

For other contact types, please consult us

## Twinax Size 8

Databus Contacts (Twisted Pair) as per AS39029						Tooling for Databus Contacts			Insertion/Extraction Tool
Cable Type	Part Number	Type	Color Bands	Conductor Size Max.	Braid OD Max.	Sleeve Type	Center Conductor	Ferrule	
Single Braid	182-0347-01	P	Brown-Red	2 x 0.34 mm <sup>2</sup>	3.48	Thermoplastic and Silicone	TDB-CT-08	TDB-CT-HEX Mark D	114-008 or M81969/14-06
	182-0346-01	S							
Double Braid	182-0347-02	P	Red-Red	2 x 0.34 mm <sup>2</sup>	3.91	Thermoplastic and Silicone	TDB-CT-08	TDB-CT-HEX Mark D	114-008 or M81969/14-06
	182-0346-02	S							
Single Braid	182-0034-03	P	Brown-Red	2 x 0.34 mm <sup>2</sup>	3.48	Thermoplastic and Silicone	TDB-CY-08	TDB-CT-HEX Mark C	114-008 or M81969/14-06
	182-0035-03	S							
Double Braid	182-0034-04	P	Red-Red	2 x 0.34 mm <sup>2</sup>	3.91	Thermoplastic and Silicone	TDB-CT-08	TDB-CT-08HEX Mark D	114-008 or M81969/14-06
	182-0035-04	S							

AS39029 Qualified Twinax							
Part Number	AS39029 Spec	Type	Center Contact Tooling		Intermediate Contact and Outer Crimp Sleeve Tooling		Insertion/Extraction Tool
			Crimp Tool	Positioner	Crimp Tool	Positioner	
6162-283-0877	AS39029/90-529	P	M22520/2-01	M22520/2-37	M22520/5-01	M22520/5-105	M81969/14-12
6162-284-0877	AS39029/91-530	S					

For quadrax solutions, please consult us



# DEUTSCH DBAS 9 Connectors

---

Fiber Optics

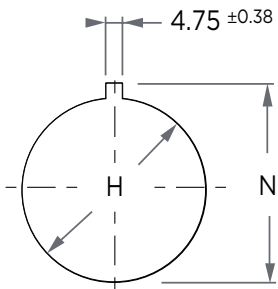
**Please  
Consult Us**

# DEUTSCH DBAS 9 Connectors

## Mounting Notice

### Rack and Panel Plug

**Step 1:** Drill the panel according to following dimensions

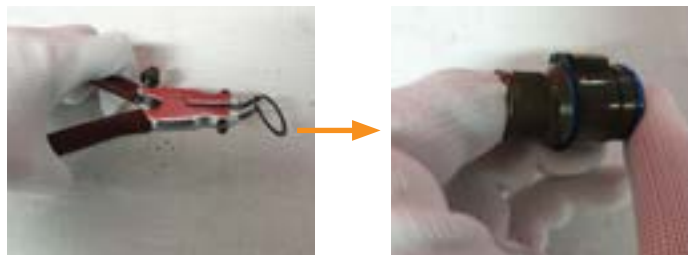


Cut	H <sup>+0.38</sup>	N <sup>+0.68</sup>
3	17.04	21.41
7	20.62	24.99
12	23.80	27.96
19	26.97	31.34
27	30.56	34.92
37	34.92	38.89
61	42.85	47.22

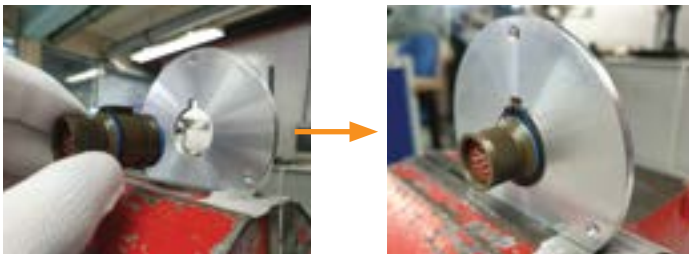
**Step 2:** Use a tool to mount the burnished circlip on the groove at the back of the DBAS 9 rack and panel plug



Burnished Circlip



**Step 3:** Please guide the plug equipped with circlip against the panel



**Step 4:** Compress the spring with fasteners and let it slip on the connector, on the panel side. The largest turn side of the spring needs to be against the panel



Spring

## Notes

---

**Step 5:** Position the washer against the smallest turn of the spring



Washer



**Step 6:** Position the golden circlip in its groove



Golden Circlip



**Step 7:** Cut the spring fasteners in order to loosen it:



For dimensions and compression force, refer to page 28

Empower Engineers to Solve Problems, Moving the World Forward.

AMP | AGASTAT | CII | DEUTSCH | DRI | HARTMAN | KILOVAC  
MICRODOT | NANONICS | POLAMCO | Raychem | Rochester | SEACON

## CONNECT WITH US

We make it easy to connect with our experts and are ready to provide all the support you need. Visit [te.com/support](https://te.com/support) to chat with a Product Information Specialist.

## QUALITY STARTS WITH THE RIGHT APPLICATION TOOLING

Creating a quality crimp connection is essential to delivering high performance and reliability in extreme environments. From low to high volume wire processing, TE has you covered with a full range of application tooling and a global field service team.

- [View all application tooling](#)
- [Connect with our experts to find the right tool for your application](#)

### [te.com/deutsch-dbas9](https://te.com/deutsch-dbas9)

AMP, AGASTAT, CII, DEUTSCH, DRI, HARTMAN, KILOVAC, MICRODOT, NANONICS, POLAMCO, Raychem, Rochester, SEACON, TE, TE Connectivity, and TE connectivity (logo) are trademarks owned or licensed by TE Connectivity. All other logos, products and/or company names referred to herein might be trademarks of their respective owners.

The information given herein, including drawings, illustrations and schematics which are intended for illustration purposes only, is believed to be reliable. However, TE Connectivity makes no warranties as to its accuracy or completeness and disclaims any liability in connection with its use. TE Connectivity's obligations shall only be as set forth in TE Connectivity's Standard Terms and Conditions of Sale for this product and in no case will TE Connectivity be liable for any incidental, indirect or consequential damages arising out of the sale, resale, use or misuse of the product. Users of TE Connectivity products should make their own evaluation to determine the suitability of each such product for the specific application.

© 2021 TE Connectivity All Rights Reserved.

2402115-1 11/21

### DEUTSCH DBAS 9 SERIES CONNECTORS

TE Connectivity  
Aerospace, Defense & Marine  
2900 Fulling Mill Road  
Middletown, PA 17057