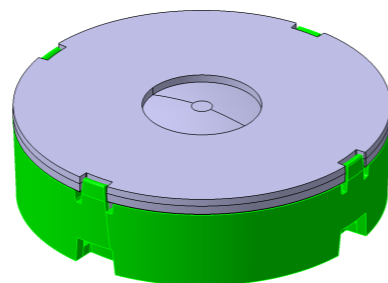
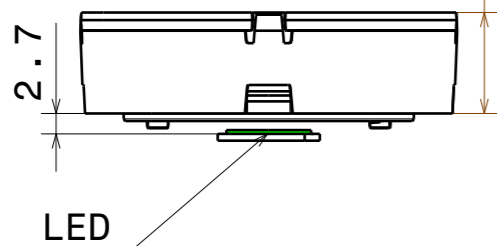
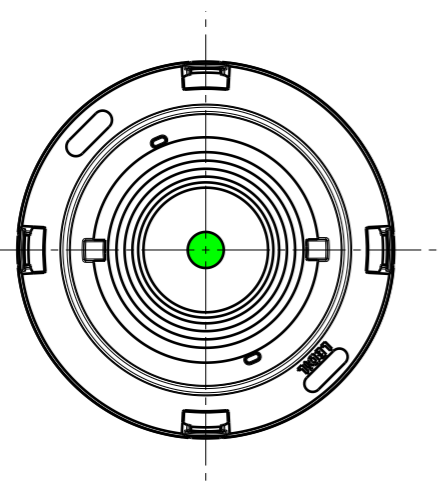
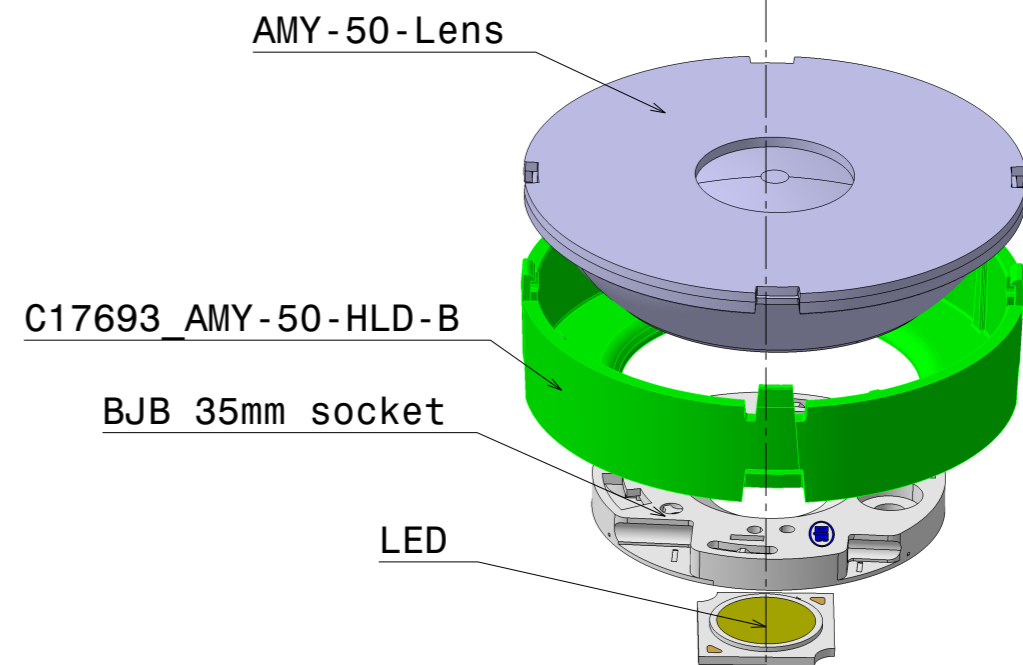


- CP18042_ AMY-50-S2-B = 13.18
- CP17771_ AMY-50-S2-B = 13.18
- CP17772_ AMY-50-S-B = 13.35
- CP17773_ AMY-50-M-B = 13.29
- CP17774_ AMY-50-W-B = 13.35
- CP17775_ AMY-50-WW-B = 13.35



Example assembly



CP17771, CP17772, CP17773, CP17774, CP17775, CP18042_ AMY-50-B
COMPONENTS

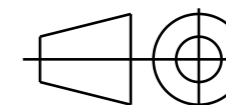
INDEX	PART	TYPE	MATERIAL	COLOR / COATING
1	C17683/C17686/C17687/C17688/C17689/C18040_ AMY-50	Lens	PMMA	Clear
2	C17693_ AMY-50-HLD-B	Holder	PC	Black

MECHANICAL DRAWING

PRODUCT
AMY

Plastic moulding general tolerances according to DIN 16901-130 and applies if not otherwise shown in the drawing.
Silicone moulding general tolerances according to ISO 3302-1 Class M3 and applies if not otherwise shown in the drawing.

FIRST ANGLE PROJECTION:



LEDiL®

This drawing is the property of LEDiL Oy. It may not be copied or otherwise distributed without prior written permission from LEDiL Oy.

SCALE 1:1

WEIGHT -

A3 SHEET 1/1

Notes

- PCB or heatsink level.
- LED location
- Ensure LED fitting from a product specific 3D model available from www.ledil.com
- For more details about installation please see LEDiL Installation Guide on www.ledil.com