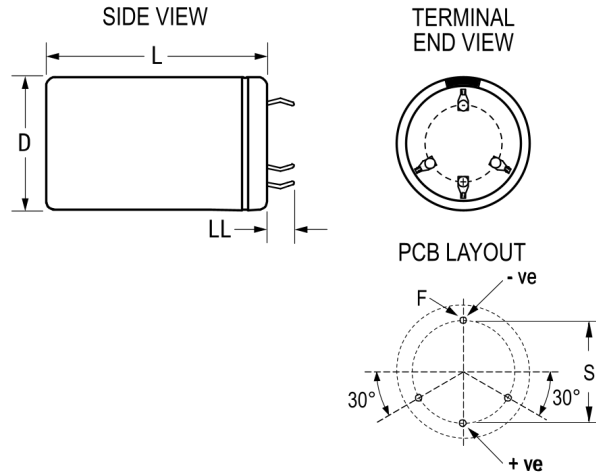


## ALC80C391DD400

Aliases (A547EF391M400C)

ALC80, Aluminum Electrolytic, 390 uF, 20%, 400 VDC, -40/+105°C



Click [here](#) for the 3D model.

### Dimensions

D	35mm +1mm
L	40mm +/-2mm
S	22.5mm +/-0.1mm
LL	6.3mm +/-1mm
F	2mm +/-0.1mm

### Packaging Specifications

Sleeving	Yes
Packaging	Bulk, Bag

### General Information

Series	ALC80
Dielectric	Aluminum Electrolytic
Description	Snap-In, Aluminum Electrolytic
RoHS	Yes
Lead	4 Pin
AEC-Q200	No
Halogen Free	Yes
Component Weight	65 g
Notes	Dimensions D And L Include Sleeving.
Shelf Life	156 Weeks

### Specifications

Capacitance	390 uF
Capacitance Tolerance	20%
Voltage DC	400 VDC, 440 VDC (Surge)
Temperature Range	-40/+105°C
Rated Temperature	105°C
Life	8000 Hrs (Rated Voltage And Ripple Current At 105C), 13000 Hrs (Rated Voltage At 105C)
Resistance	315.7 mOhms (100Hz 20C), 163 mOhms (10kHz 20C)
Ripple Current	2.278 Amps (100Hz 105C), 6.145 Amps (10kHz 105C)
Leakage Current	468 uA (5min 20°C)