

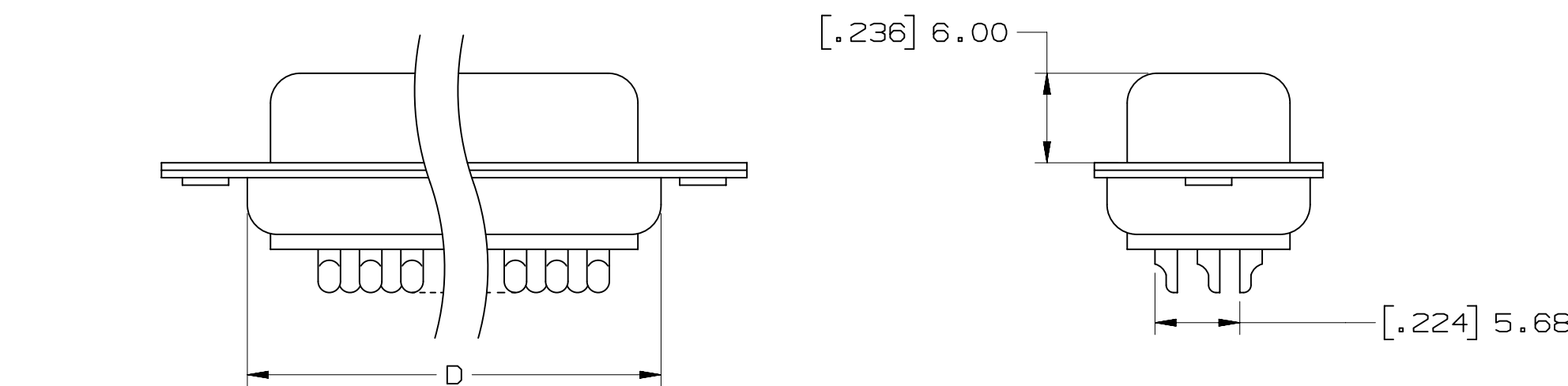
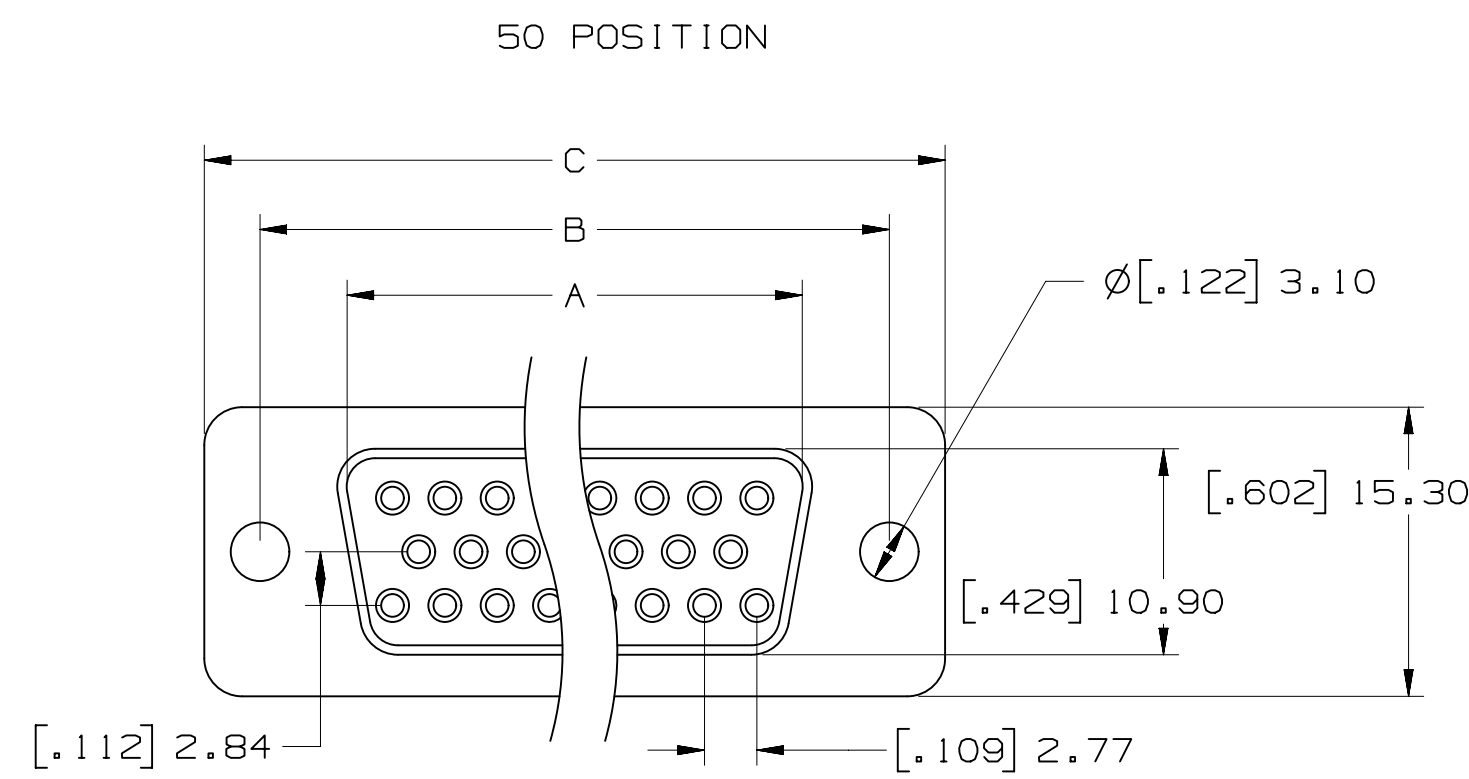
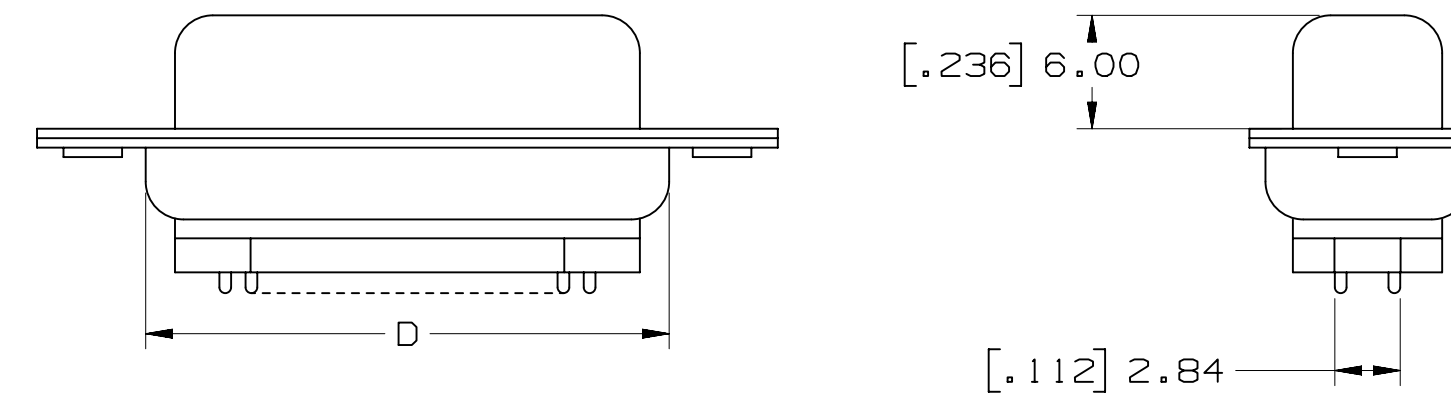
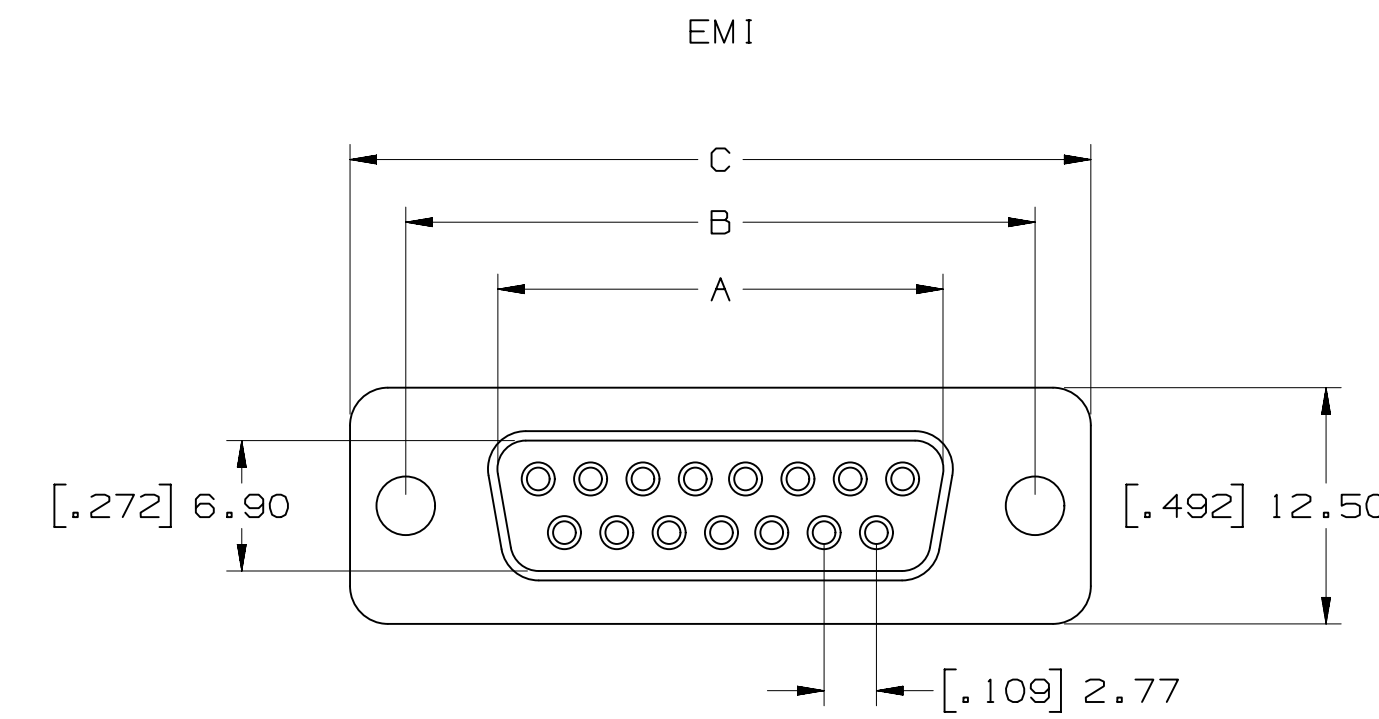
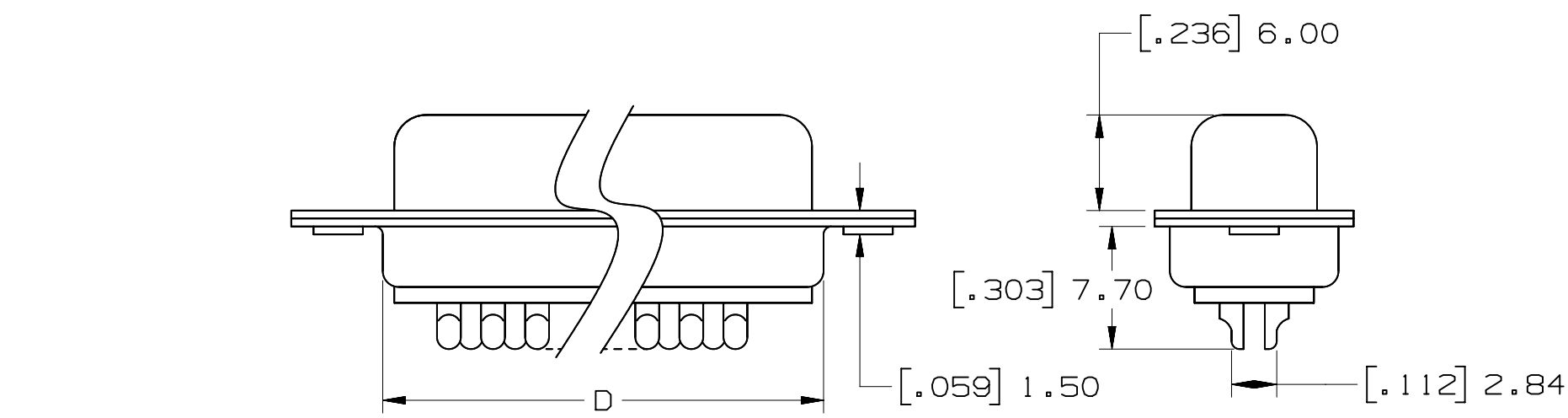
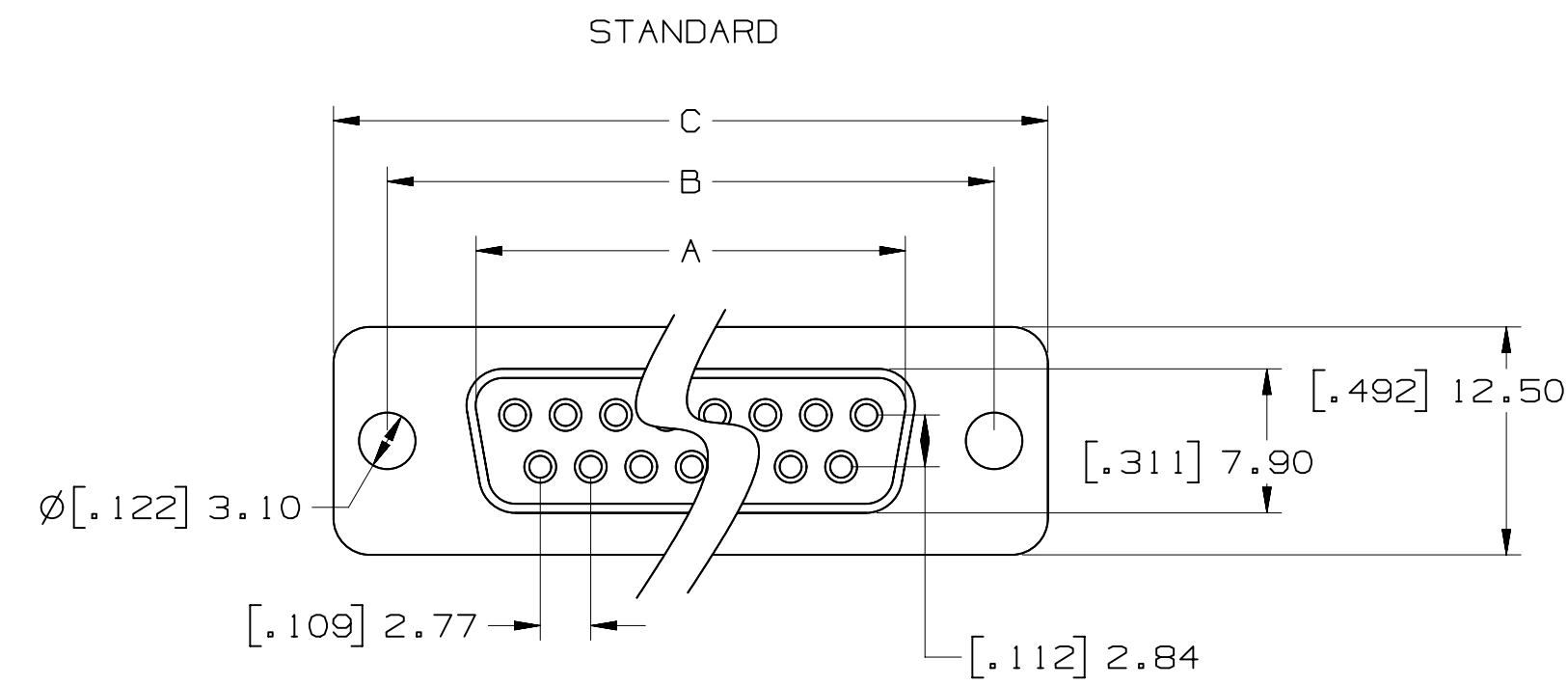
3M™ Solder Cup D Sub Socket, 8000 Series

NOTES

POSITION	A	B	C	D
9	[.642] 16.30	[.984] 25.00	[1.213] 30.80	[1.756] 19.20
15	[.969] 24.60	[1.311] 33.30	[1.543] 39.20	[1.091] 27.70
25	[1.508] 38.30	[2.248] 57.10	[2.091] 53.10	[1.618] 41.10
37	[2.157] 54.80	[2.500] 63.50	[2.732] 69.40	[2.256] 57.30
50*	[2.055] 52.20	[2.402] 61.00	[2.638] 67.00	[2.169] 55.10

*50 POSITION AVAILABLE IN STANDARD ONLY

PERFORMANCE	
OPERATION VOLTAGE:	250V MAX.
CURRENT:	3A MAX.
INSULATION RESISTANCE:	3000 MOhm MIN @ 500VDC
WITHSTANDING VOLTAGE:	1000 VAC / MIN.
TEMPERATURE RATING:	-55°C to 105°C
CONTACT RESISTANCE:	15 mOhms MAX.



8RXX - X00X

NUMBER OF CONTACTS (SEE TABLE)

PLATING
1 - AU FLASH
2 - 30μ" AU

EMI
N - STANDARD
E - EMI

Unless otherwise noted, references to industry specifications are intended to indicate substantial compliance to the material elements of the specification. Such references should not be construed as a guarantee of compliance to all requirements in a given specification.

- MATERIAL:
THERMAL PLASTIC UL94V-0
CONTACTS:
COPPER ALLOY
SHELL:
G3141 SPCC OR EQUIVALENT
- PLATING:
50μ" NICKEL UNDERPLATE
1μ" AU WIPING AREA OR
30μ" AU WIPING AREA
100-200μ" TIN (BRIGHT TIN) SOLDER TAIL
- MATES WITH:
BPXX-X00X
- SEE THE REGULATORY INFORMATION APPENDIX (RIA) IN "ROHS" COMPLIANCE SECTION OF WWW.3MCONNECTOR.COM FOR COMPLIANCE INFORMATION (RIA E1 & C1 APPLY)

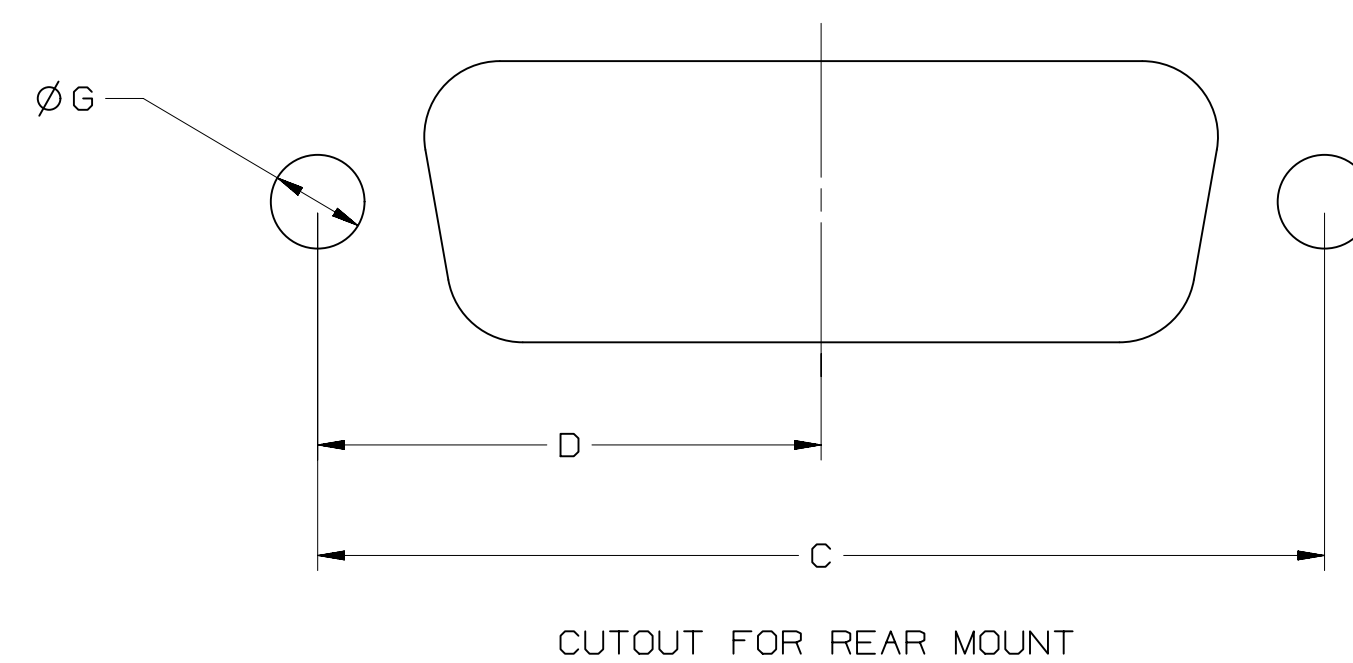
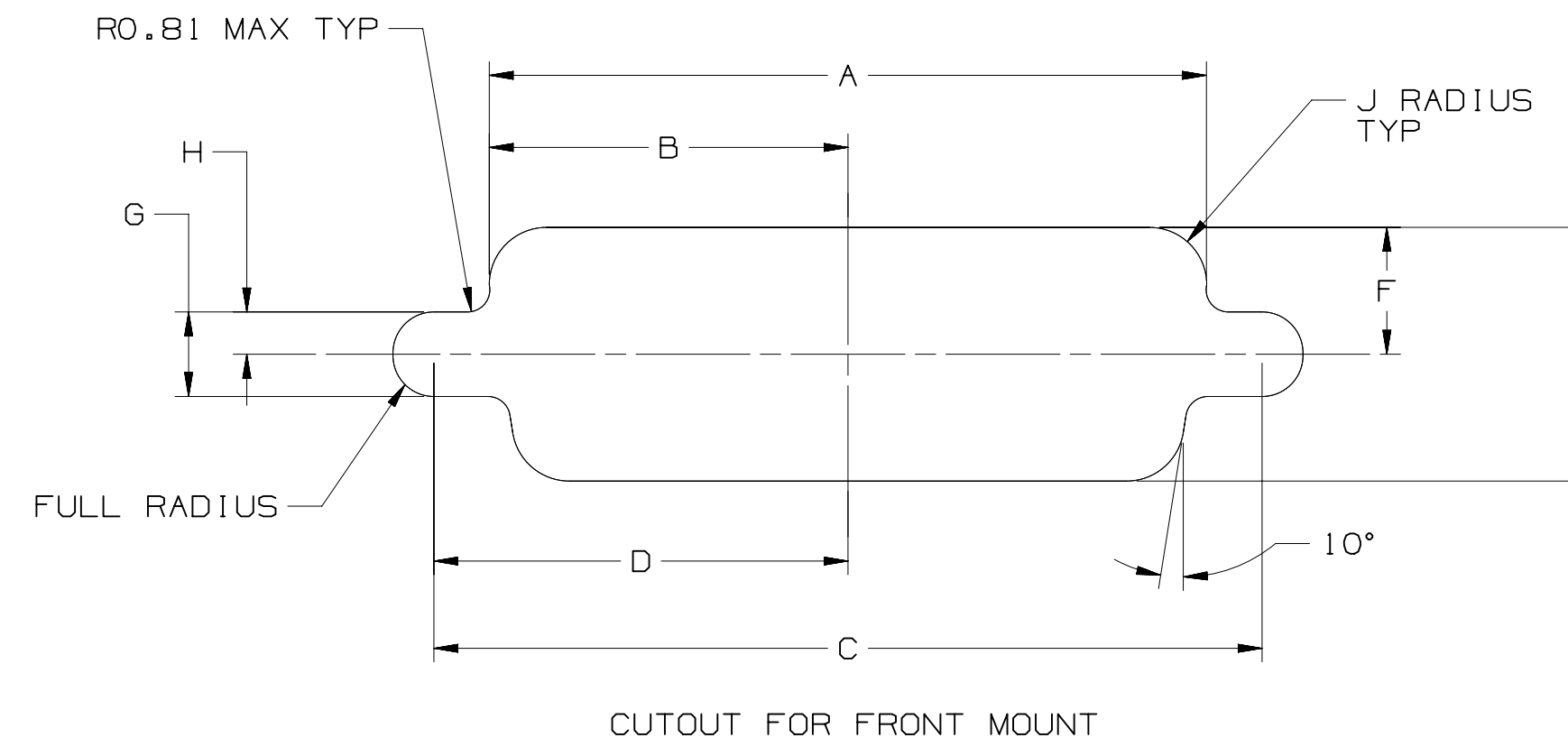
3M ELECTRONIC SOLUTIONS DIVISION
INTERCONNECT SOLUTIONS
<http://www.3mconnectors.com>

3M IS A TRADEMARK OF 3M COMPANY.
FOR TECHNICAL, SALES OR ORDERING INFORMATION, CALL 800-225-5373

DESIGN REFERENCE	NEXT ASSEMBLY	REV	ECO	ISSUE DATE AND DESCRIPTION	DRFT	CHKD
DO NOT SCALE DRAWING	SCALE 1/1	SJS	ARM	MAY 18, 2011		
THIRD ANGLE PROJECTION	INTERPRET PER ASME Y14.5 - 1994	ARM	ARM	MAY 18, 2011		
MAX SURFACE ROUGHNESS 125 ALL SURFACES MARKED ONLY	TOLERANCES EXCEPT AS NOTED INCHES .00 .000 2000 MILLIMETERS 0 ±.1 ±.05 ±.005			© 3M COPYRIGHT 2013 This document and the information it contains are 3M property and may not be reproduced or further distributed without 3M permission, or used or disclosed other than for 3M authorized purposes. All rights reserved.		
TITLE 8RXX-X00X D-SUB SOLDER CUP SOCKET TS-2402		CAGE NUMBER D	SIZE D	DRAWING NO. 78-5100-2402-5	REV. C	
MODEL BR		DET [] YES [X] NO [] SHT 1 OF 2				

78-5100-2402-5
DRAWING NUMBER

POSITION	MOUNTING METHOD	A	B	C	D	E	F	G	H	J
9	FRONT	.874(22.2)	.437(11.1)	.984(25.0)	.492(12.5)	.513(13.0)	.257(6.5)	.120(3.1)	.060(1.5)	.083(2.1)
	REAR	.806(20.5)	.403(10.2)	.984(25.0)	.492(12.5)	.449(11.4)	.225(5.7)	.120(3.1)	.060(1.5)	.132(3.4)
15	FRONT	1.202(30.5)	.601(15.3)	1.312(33.3)	.656(16.7)	.513(13.0)	.257(6.5)	.120(3.1)	.060(1.5)	.083(2.1)
	REAR	1.134(28.8)	.567(14.4)	1.312(33.3)	.656(16.7)	.449(11.4)	.225(5.7)	.120(3.1)	.060(1.5)	.132(3.4)
25	FRONT	1.743(44.3)	.872(22.2)	1.852(47.0)	.926(23.5)	.513(13.0)	.257(6.5)	.120(3.1)	.060(1.5)	.083(2.1)
	REAR	1.674(42.5)	.837(21.3)	1.852(47.0)	.926(23.5)	.449(11.4)	.225(5.7)	.120(3.1)	.060(1.5)	.132(3.4)
37	FRONT	2.391(60.7)	1.196(30.4)	2.500(63.5)	1.250(31.8)	.513(13.0)	.257(6.5)	.120(3.1)	.060(1.5)	.083(2.1)
	REAR	2.326(59.1)	1.163(29.5)	2.500(63.5)	1.250(31.8)	.449(11.4)	.225(5.7)	.120(3.1)	.060(1.5)	.132(3.4)
50	FRONT	2.297(58.3)	1.149(29.2)	2.406(61.1)	1.203(30.6)	.623(15.8)	.312(7.9)	.120(3.1)	.060(1.5)	.083(2.1)
	REAR	2.218(56.3)	1.109(28.2)	2.406(61.1)	1.203(30.6)	.555(14.1)	.278(7.1)	.120(3.1)	.060(1.5)	.132(3.4)



C	46292	MAR 28, 2013	SJS	ARM
		CORRECT SHELL MATL		
B	34516	AUG 29, 2011	SJS	ARM
		CHANGE MOHMS TO mOHMS, UPDATE ROHS		
A	34511	MAY 18, 2011	SJS	ARM
		MAY 18, 2011		

DESIGN REFERENCE	NEXT ASSEMBLY	REV	ECO	ISSUE DATE AND DESCRIPTION	DRFT	CHKD
		SJS		MAY 18, 2011		
		ARM		MAY 18, 2011		
DIVISION		DIVISION CODE				
DO NOT SCALE DRAWING		SCALE 1/1	TOLERANCES EXCEPT AS NOTED			
THIRD ANGLE PROJECTION		INCHES		MILLIMETERS		
INTERPRET PER ASME Y14.5 - 1994		.00 ±		0 ± .1		
MAX SURFACE ROUGHNESS 125		.00 ± .05		.000 ± .005		
ALL SURFACES MARKED ONLY		ANGLES ± 1°				
CAGE NUMBER		SIZE	DRAWING NO.		REV.	
D78-5100-2402-5		BR	D78-5100-2402-5		C	
MODEL		SHT 2 OF 2				

78-5100-2402-5
DRAWING NUMBER

A