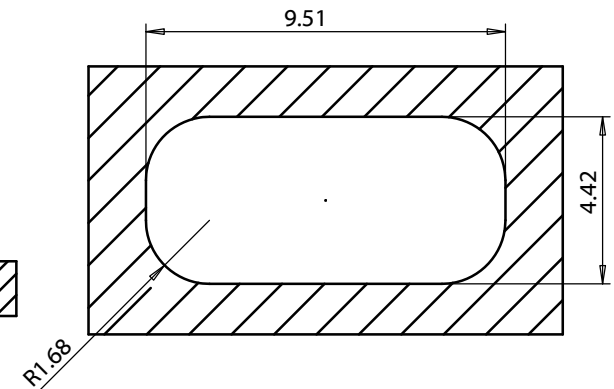
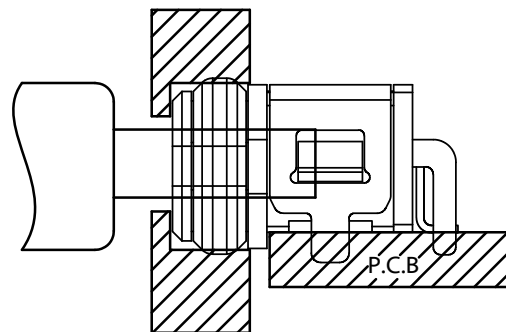
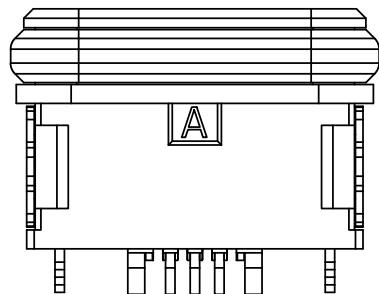


Signal Name	
1	Vcc
2	D-
3	D+
4	ID
5	GND



Revision:	Date:	Description:	Prepared:	Notes:	<h1>TENSILITY</h1> <p>tel 1.541.323.3228 800 877.670.7118 fax 1.541.323.4202 web tensility.com</p>
A	5/11/2021	Initial release		RoHS compliant	
			Verified:	Function test: no open, no short circuit, no intermittent	
			Dimensions are in millimeters. Tolerances: X: ± 0.2 mm X.X: ± 0.2 mm X.XX: ± 0.2 mm	Description: Connector, USB micro B jack, surface mount, through hole, 90°, nickel shell, IPX7 waterproof, reel	
				Size: A	Part number: 54-00282
				Scale: 5:1	Sheet 1 of 2

