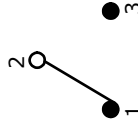
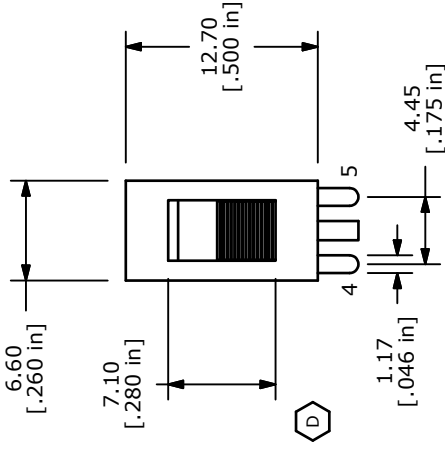


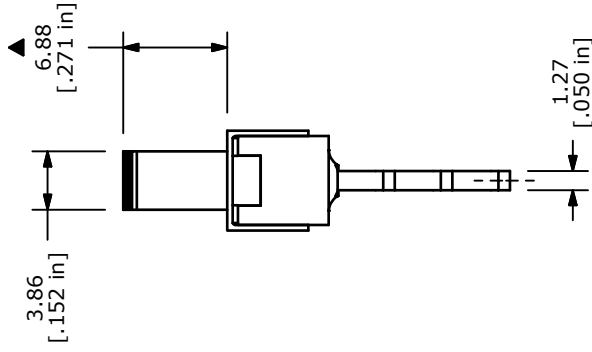
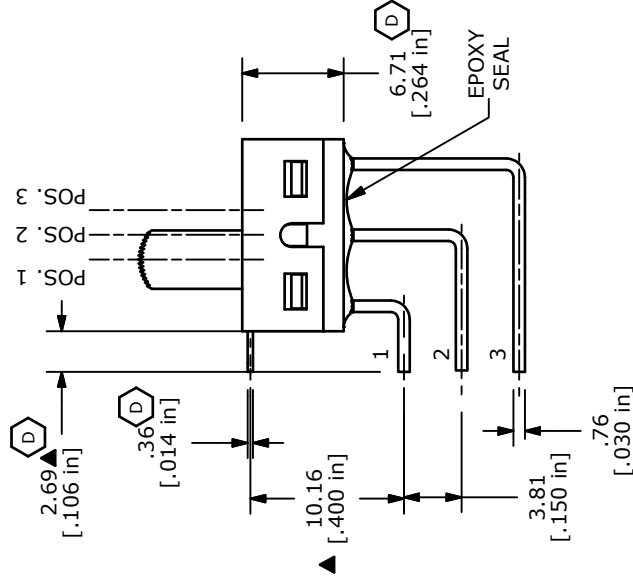
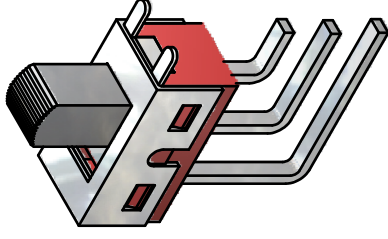
| SWITCH FUNCTION | POS. 1 | POS. 2 | POS. 3 |
|-----------------|--------|--------|--------|
|                 |        |        |        |
| ON              | OFF    | ON     |        |
| 2-1             | OPEN   |        | 2-3    |



- NOTE:
- ALL DIMENSIONS IN MM [INCH]
  - GENERAL TOLERANCE: X.X=±0.4  
X.XX=±0.25
  - TERMINAL NUMBERS FOR REF ONLY
  - PLATING MATERIAL: SILVER
  - CONTACT RATING: 5A @120VAC OR 28VDC, 2A @250VAC
  - ELECTRIC LIFE: 30,000 ACTUATIONS AT FULL LOAD.
  - INSULATION RESISTANCE: 1,000 MEGA-OHM MIN.
  - DIELECTRIC STRENGTH: 1,000 V RMS @SEA LEVEL.
  - OPERATING TEMP.: -30°C to 85°C
  - ▲ DENOTES CRITICAL PARAMETER.
  - CONTACT RESISTANCE: 10m OHM MAX INITIAL @ 2-4VDC
  - 2002/95/EC (ROHS) COMPLIANT.



ISOMETRIC



TITLE 500SSP3S2M7QEA

|     |        |                |        |     |
|-----|--------|----------------|--------|-----|
| D   | 19558  | DRAWING UPDATE | 1/4/11 | BGL |
| REV | PCR NO | DESCRIPTION    | DATE   | BY  |

THE INFORMATION CONTAINED IN THIS DOCUMENT IS PROPRIETARY TO E-SWITCH AND IS NOT TO BE COPIED OR TRANSFERRED

SCALE 2:1 DATE 1/4/2011

DR BGL DWG T551004

REV D