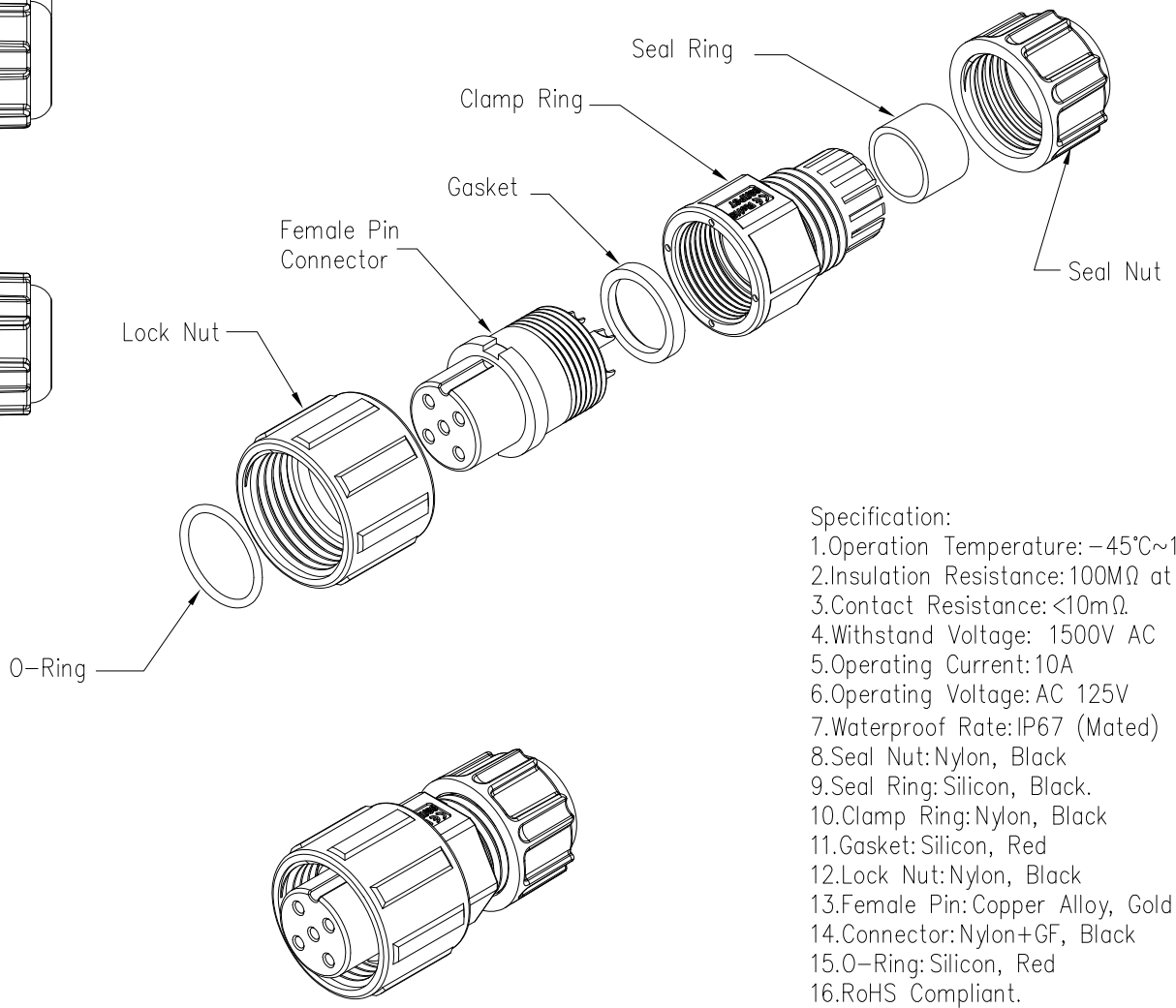
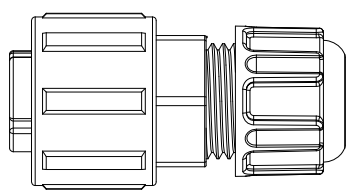
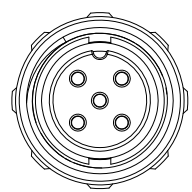
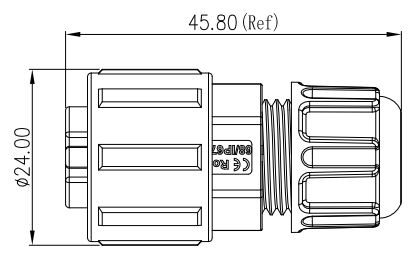
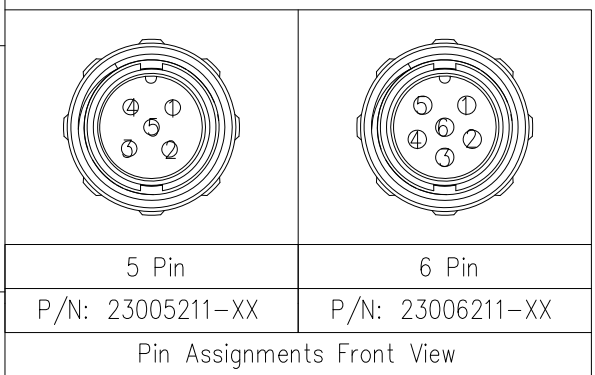


REV.	ECN NO.	DESCRIPTION	SIGN	DATE
C1	N/A	INITIAL DRAWING	Hary	2020/05/16



23XXX211-XX Cable Range OD  
 01 OD: φ3.5mm~φ6.5mm  
 02 OD: φ6.5mm~φ9.5mm  
 Pin Number

- Specification:
- 1.Operation Temperature: -45°C~105°C.
  - 2.Insulation Resistance: 100MΩ at DC500V.
  - 3.Contact Resistance: <10mΩ.
  - 4.Withstand Voltage: 1500V AC
  - 5.Operating Current: 10A
  - 6.Operating Voltage: AC 125V
  - 7.Waterproof Rate: IP67 (Mated)
  - 8.Seal Nut: Nylon, Black
  - 9.Seal Ring: Silicon, Black.
  - 10.Clamp Ring: Nylon, Black
  - 11.Gasket: Silicon, Red
  - 12.Lock Nut: Nylon, Black
  - 13.Female Pin: Copper Alloy, Gold Plated
  - 14.Connector: Nylon+GF, Black
  - 15.O-Ring: Silicon, Red
  - 16.RoHS Compliant.
  - 17.UL Compliant.
  - 18.Mating Cap: 806-00026-01



UNIT: mm		DESCRIPTION	Middle Series Screw Male Plug With Female Pin	
TOLERANCE	.X ±0.25 .XX ±0.15 .XXX ±0.05 ANGLES ±1°	SCALE:	1:1	SHEET X OF X
REV.	C1	SIZE	A4	* : Inspection Item



PART NO	23XXX211-XX	DRAWN BY	Hary	DATE	2020/05/16
DWG NO		CHECKED BY	Mo	DATE	2020/05/16
CUSTOMER		APPROVED BY	Panson	DATE	2020/05/16

THIS INFORMATION IS CONFIDENTIAL AND IS DISCLOSED TO YOU ON CONDITION THAT NO FURTHER DISCLOSURE IS MADE BY YOU TO OTHER THAN CHOGORI PERSONNEL WITHOUT AUTHORIZATION FROM CHOGORI CORP.