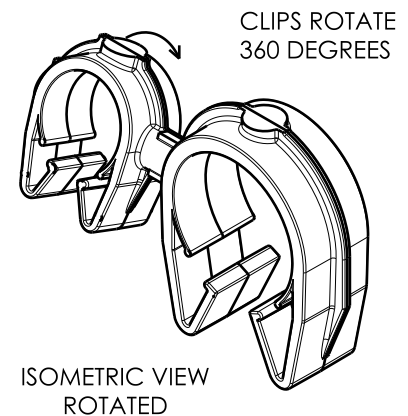
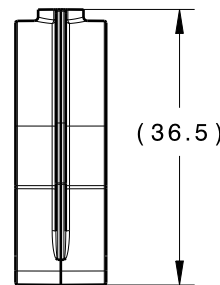
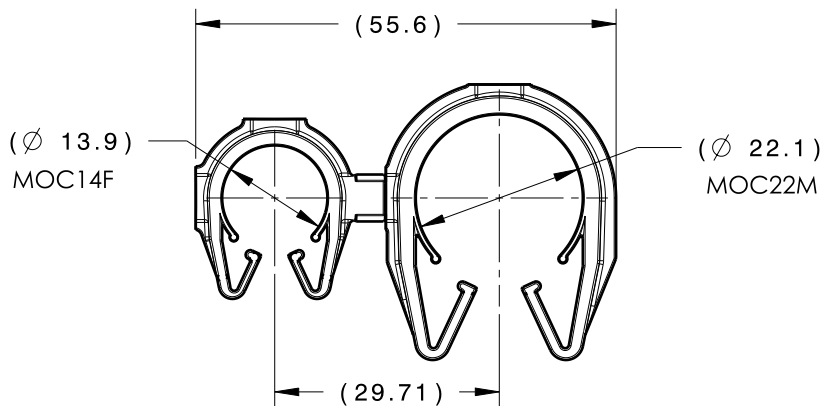
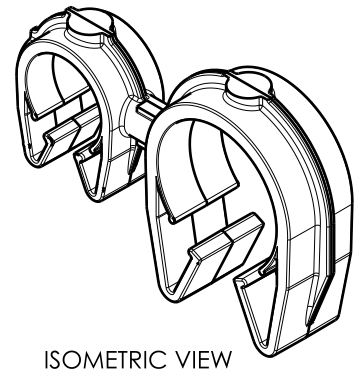
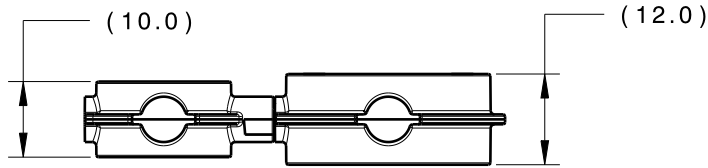


| Revision Level | | | Revision Record | Changed | Date | Approved | Date |
|----------------|----------------|------|-----------------|---------|----------|----------|----------|
| Drawing | State | Part | | | | | |
| 01.2 | DESIGN RELEASE | | SEE ECN# 014444 | JMC | 04/26/18 | EJH | 04/25/18 |



| TYPE | MOC14F | MOC22M |
|----------------|---------------|---------------|
| HARNESS | 13.0MM-15.0MM | 20.0MM-24.0MM |
| HOSE | 13.0MM-15.0MM | 20.0MM-24.0MM |
| HARD PIPE/TUBE | 14.0MM-15.8MM | 22.0MM-25.0MM |

*RECOMMENDED SIZES MAY DIFFER DEPENDING ON THE APPLICATION, PRODUCT REQUIREMENTS AND MATERIALS USED

PATENT PENDING 29/582,271

| GLOBAL PART DESCRIPTION | MOC14F** | | | MOC22M** | | |
|-----------------------------|-----------------|-------------|-------|-----------------|-------------|-------|
| | DRAWING | MATERIAL | COLOR | DRAWING | MATERIAL | COLOR |
| MOC14FMOC22M-PA66HIRHSUV-BK | 16-0320-000-CSU | PA66HIRHSUV | BLACK | 16-0323-000-CSU | PA66HIRHSUV | BLACK |

| | | | | | | | | | |
|---|-------------------------------------|--|--|-----|------------|-----------------|--------------------------------|----------------|---------|
| Material SEE CHART COLOR: SEE CHART | Units millimeters | The copyright of this drawing is reserved by HellermannTyton. It is issued on condition that it is not reproduced, copied or disclosed to a third party, either wholly or in part, without the consent of HellermannTyton. | Drawn | TAT | 2/22/17 | Article/Type-No | MOC14FMOC22M | Scale | 1:1 |
| | Tolerance defined on each dimension | | Approved | EJH | 2/28/17 | Title | 14MM MOC COUPLED TO A 22MM MOC | Project Number | 16-0326 |
| | | | North America Email: corp@htamericas.com Web: www.hellermann.tyton.com | | Drawing-No | PRODUCTION | : Phase | Format | AH |
| 16-0326-474-CSU | | | | | Sheet | 1/1 | | | |