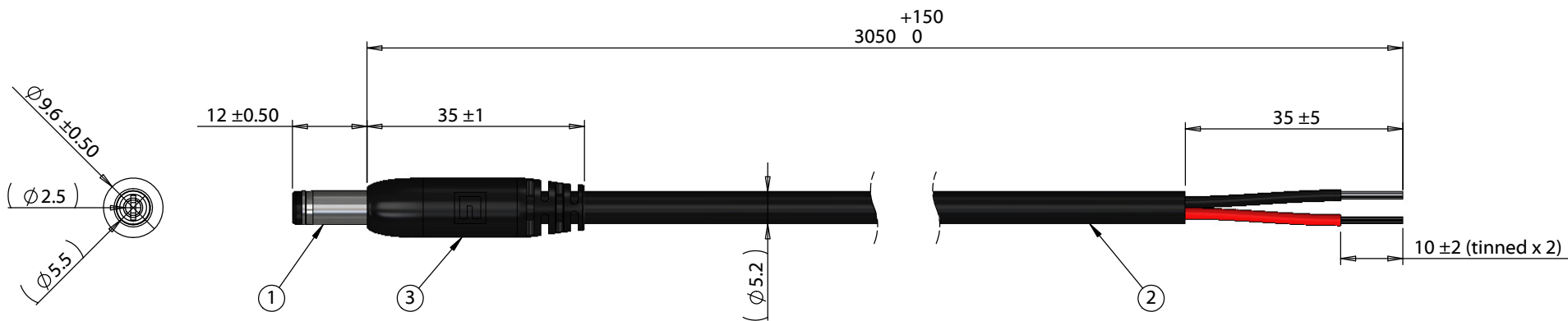


| ITEM NO. | PART NUMBER | DESCRIPTION | QTY. | COMPONENT NOTES |
|----------|-------------|--|------|-----------------|
| 1 | 50-00026 | Connector, dc plug, 5.5x2.5xL23 mm, molding style, spring contacts | 1 | |
| 2 | 30-00683 | Wire, 2C TS, 18 AWG, UL2464, 300V, 80C, 5.2 mm, VW-1, PVC | 1 | |
| 3 | 24-00182 | Overmold, dc plug, 5.5 mm, Tensility | 1 | PVC, black |



Notes:
Functionally equivalent components may be substituted

| Wiring Diagram | |
|----------------|------------|
| 50-00026 | wire color |
| center | red |
| sleeve | black |

| | | | | | |
|-----------|------------|-----------------|--|--|--|
| Revision: | Date: | Description: | Prepared: | Notes: RoHS compliant Function test: no open, no short circuit, no intermittent | <h1>TENSILITY</h1> <p>tel 1.541.323.3228 800 877.670.7118 fax 1.541.323.4202 web tensility.com</p> |
| A | 06/06/2019 | Initial release | Verified: | | |
| | | | Dimensions are in millimeters. Tolerances: X: ± 0.5 mm X.X: ± 0.3 mm X.XX: ± 0.05 mm | Description: | Size: Part number: |
| | | | | Cable, 3050 mm, 5.5x2.5x12 mm 50-00026 dc plug to stripped tinned, 18 AWG, 30-00683 wire | A 10-03348 |
| | | | | Scale: 1:1 | |

5

4

3

2

1

Sheet 1 of 1