

PART NO. AND WEEK/YEAR DATE CODE TO BE PRINTED ON SIDE OF COMPLETED CAGE ASSEMBLY APPROXIMATELY AS SHOWN. SEE TABLE BELOW FOR DATE CODE INFORMATION.

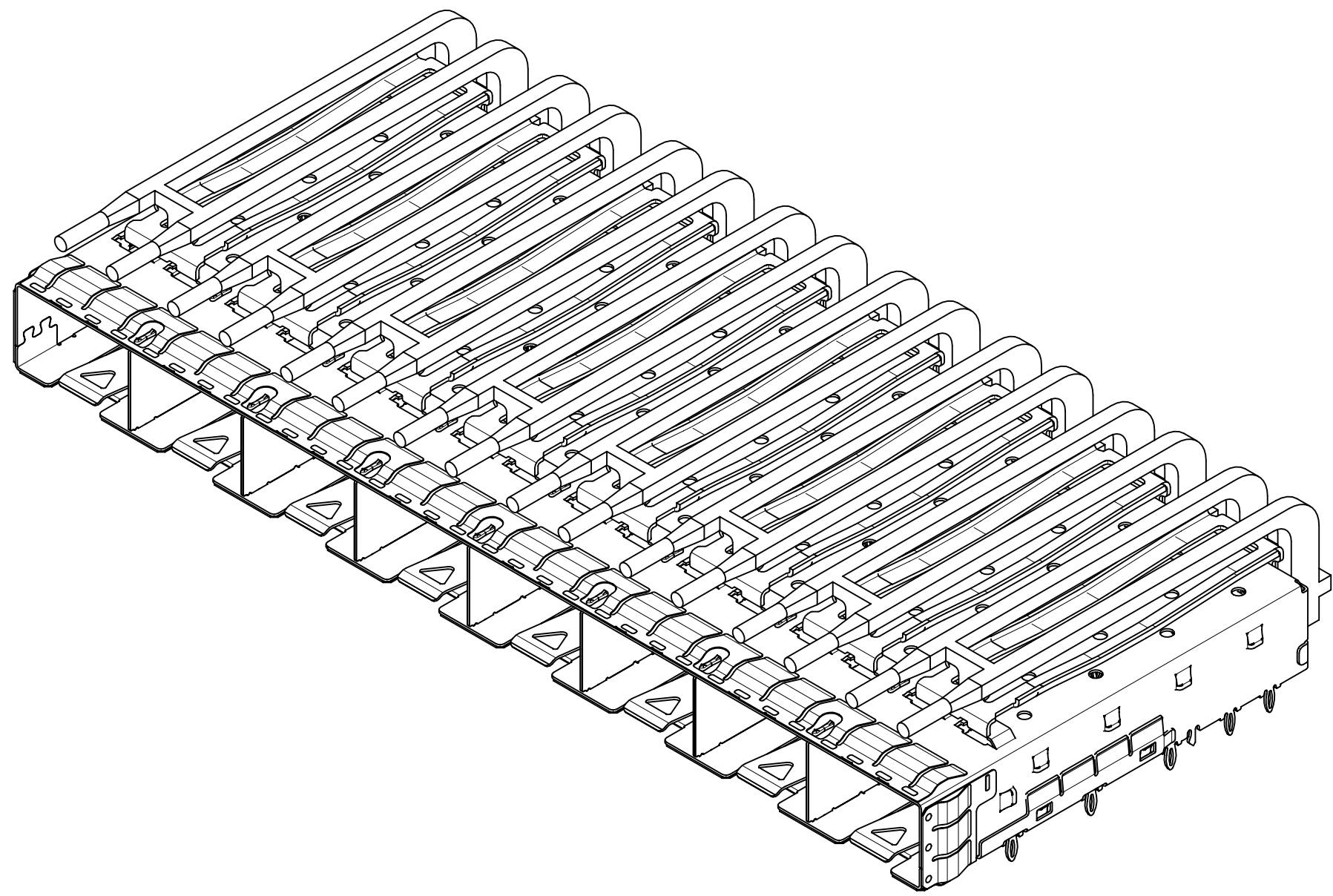
WEEK/YEAR DATE CODE TABLE	
WK	01 THRU 52 OR 53 EXAMPLE: 01 = FIRST WEEK OF YEAR 52 = LAST WEEK OF YEAR
YR	22, 23, 24 ETC. EXAMPLE: YEAR 2022 = 22

- NOTES:
- MATERIAL:  
CAGE: 0.25mm THICK COPPER ALLOY, NICKEL PLATED.  
SPRING FINGERS: STAINLESS STEEL.  
HEATSINK SPRING CLIP: STAINLESS STEEL.  
LIGHT PIPE: POLYCARBONATE
  - PRESS FIT LEGS 2.20mm LONG
  - PORTS ARE DESIGNED FOR SFP+ TRANSCEIVERS AND ARE COMPATIBLE WITH SFP TRANSCEIVERS. THE TOP SURFACE OF THE MODULE MUST BE FLAT (NO PRODUCT LABEL RECESS) AND THERMALLY CONDUCTIVE TO FUNCTION OPTIMALLY.
  - WELD SPOT MAY SHOW SLIGHT MATERIAL DISCOLORATION.
  - NO RoHS EXEMPTIONS.

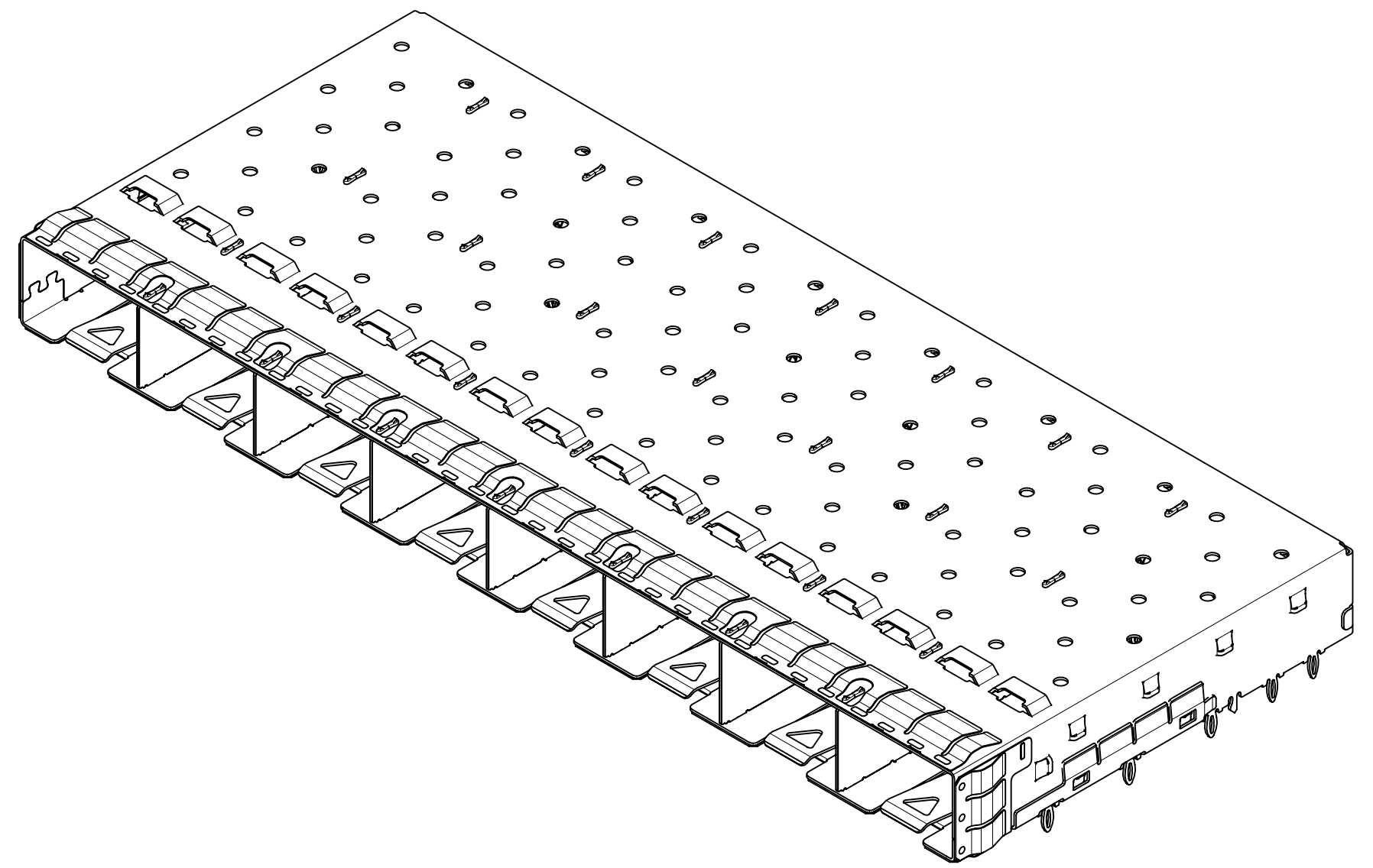
PART NUMBER	DESCRIPTION	LIGHT PIPE
747548825	SFP+ 1X8 CAGE ASSY W/ SF & LP	DUAL
747548826	SFP+ 1X8 CAGE ASSY W/ SF, & W/O LP	-

FUNCTIONAL SYMBOLS FA = 0 EA = 0 EP = 0	THIS DRAWING CONTAINS INFORMATION THAT IS PROPRIETARY TO MOLEX ELECTRONIC TECHNOLOGIES, LLC AND SHOULD NOT BE USED WITHOUT WRITTEN PERMISSION		CURRENT REV DESC: SEE REVISION TABLE		
	DIMENSION UNITS <b>mm</b>	SCALE <b>2:1</b>	EC NO: 706896		
DIVISIONAL SYMBOLS	GENERAL TOLERANCES (UNLESS SPECIFIED)		DRWN: PKH 2022/04/06		PRODUCT CUSTOMER DRAWING
	ANGULAR TOL ± 1.0°		CHK'D: TKUMARKC 2022/05/19		
	4 PLACES ±		APPR: SCHIEN 2022/05/26		DOC TYPE PSD
	3 PLACES ±		INITIAL REVISION:		DOC PART ASY
2 PLACES ± 0.13		DRWN: PKH 2022/04/06		REVISION A	
1 PLACE ± 0.25		APPR: SCHIEN 2022/05/26		DOCUMENT NUMBER <b>747548825</b>	
0 PLACES ±		DRAFT WHERE APPLICABLE MUST REMAIN WITHIN DIMENSIONS		MATERIAL NUMBER SEE P/N TABLE	
THIRD ANGLE PROJECTION		DRAWING C-SIZE	SERIES 74754	CUSTOMER	SHEET NUMBER 1 OF 7

747548825



747548826



THIS DRAWING CONTAINS INFORMATION THAT IS PROPRIETARY TO MOLEX ELECTRONIC TECHNOLOGIES, LLC AND SHOULD NOT BE USED WITHOUT WRITTEN PERMISSION										
FUNCTIONAL SYMBOLS	THIS DRAWING CONTAINS INFORMATION THAT IS PROPRIETARY TO MOLEX ELECTRONIC TECHNOLOGIES, LLC AND SHOULD NOT BE USED WITHOUT WRITTEN PERMISSION	CURRENT REV DESC: SEE REVISION TABLE								
	DIMENSION UNITS	SCALE								
$\nabla_A = 0$	mm	2:1								
GENERAL TOLERANCES (UNLESS SPECIFIED)	EC NO: 706896									
	ANGULAR TOL $\pm 1.0^\circ$	DRWN: PKH 2022/04/06							SFP+ 1X8 CAGE ASSY, PRESS FIT, W/ SUS SPRING FINGER TYPE WITH LIGHT PIPE OPTIONS	
DIVISIONAL SYMBOLS	4 PLACES $\pm$	CHK'D: TKUMARKC 2022/05/19							PRODUCT CUSTOMER DRAWING	
	3 PLACES $\pm$	APPR: SCHIEN 2022/05/26							DOCUMENT NUMBER	
	2 PLACES $\pm 0.13$	INITIAL REVISION:							747548825	
	1 PLACE $\pm 0.25$	DRWN: PKH 2022/04/06							PSD ASY A	
0 PLACES $\pm$	APPR: SCHIEN 2022/05/26							MATERIAL NUMBER		
DRAFT WHERE APPLICABLE MUST REMAIN WITHIN DIMENSIONS	THIRD ANGLE PROJECTION	DRAWING	SERIES	CUSTOMER	SHEET NUMBER					
		C-SIZE	74754	SEE P/N TABLE	2 OF 7					

**molex**

SFP+ 1X8 CAGE ASSY, PRESS FIT, W/ SUS SPRING FINGER TYPE WITH LIGHT PIPE OPTIONS

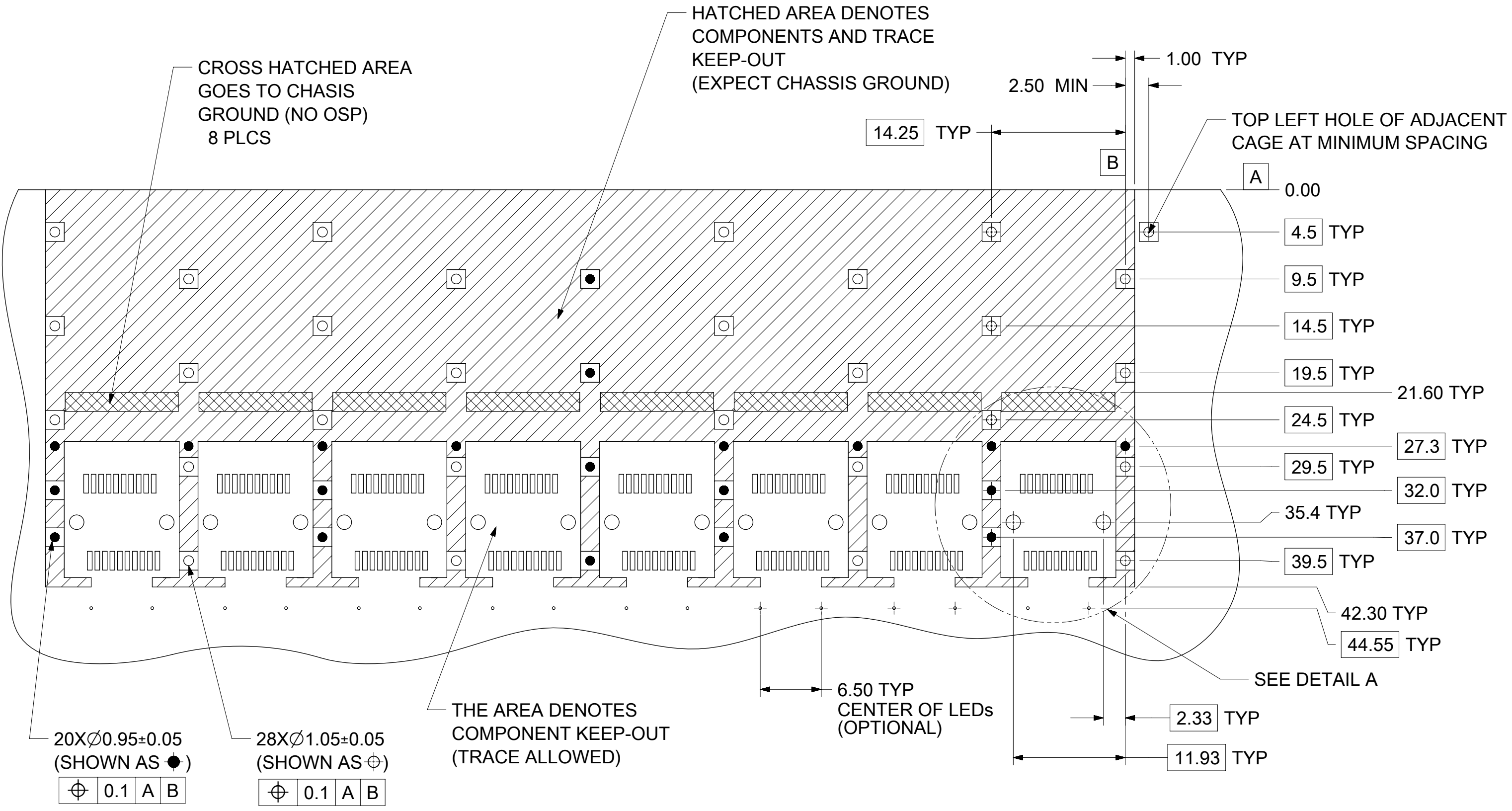
PRODUCT CUSTOMER DRAWING

747548825

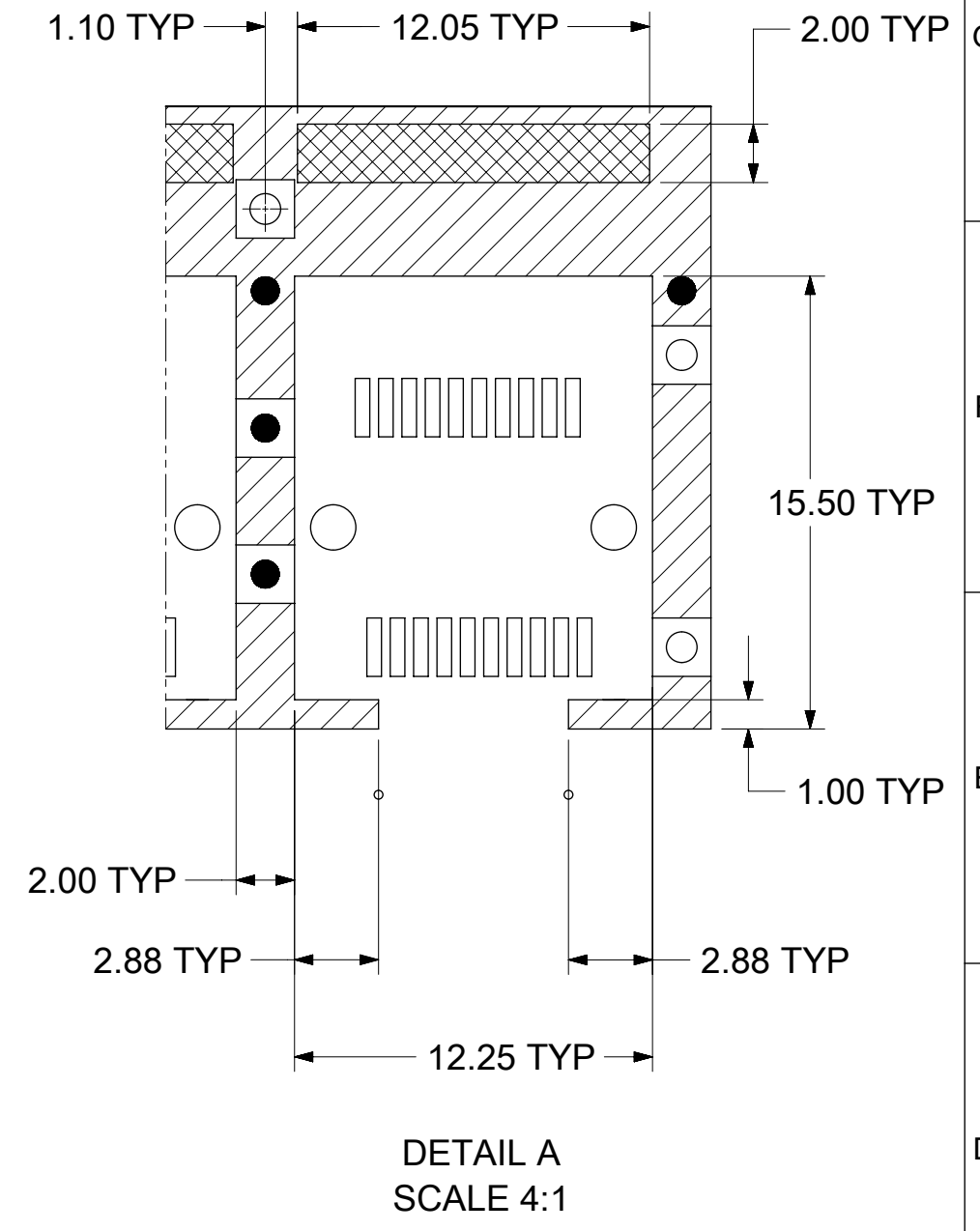
PSD ASY A

2 OF 7

# PCB LAYOUT FOR SINGLE SIDE MOUNT



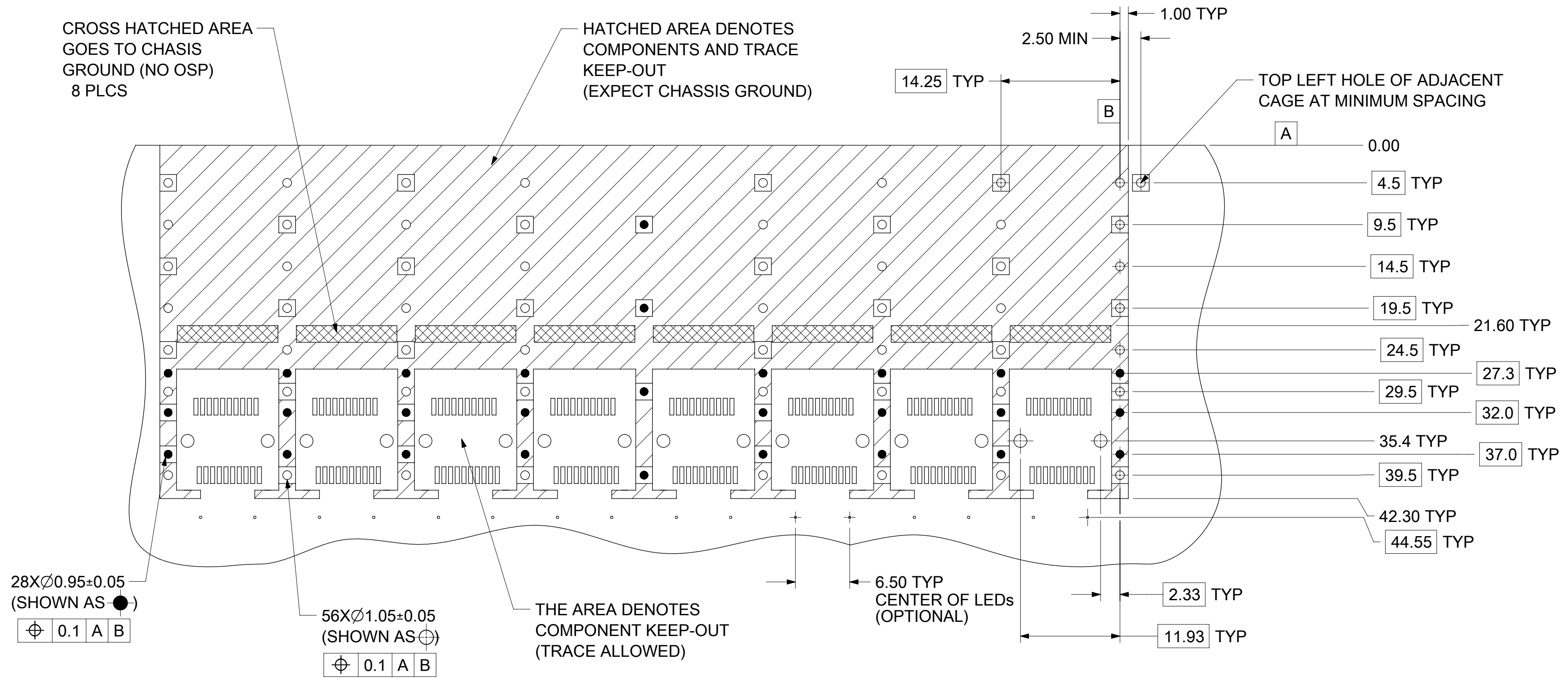
## HOST CONNECTOR DETAIL



- NOTES:**
- 1.PADS AND VIAS CONNECT TO CHASSIS GROUND (RECOMMEND PADS TO BE 2.00MM SQUARE)
  - 2.RECOMMENDED THRU HOLE PLATING INCLUDES HASL, OSP, OR IMMERSION (GOLD,SILVER, OR TIN).
  - 3.CONNECTOR PAD LAYOUT PER SFP+ MSA WILL ACCOMMODATE MOLEX CONNETOR SERIES 170382 OR EQUIVALENT.
  - 4.HOLE PATTERN REPEATS FOR EACH PORT. SPACING BETWEEN PORTS IS 14.25MM.
  - 5.MIN PCB THICKNESS FOR SINGLE SIDED USE:1.57MM.

FUNCTIONAL SYMBOLS FA=0 FC=0 FP=0	THIS DRAWING CONTAINS INFORMATION THAT IS PROPRIETARY TO MOLEX ELECTRONIC TECHNOLOGIES, LLC AND SHOULD NOT BE USED WITHOUT WRITTEN PERMISSION		CURRENT REV DESC: SEE REVISION TABLE		<p>SFP+ 1X8 CAGE ASSY, PRESS FIT, W/ SUS SPRING FINGER TYPE WITH LIGHT PIPE OPTIONS</p> <p>PRODUCT CUSTOMER DRAWING</p>
	DIMENSION UNITS	SCALE	EC NO: 706896		
	mm	2.5:1	DRWN: PKH	2022/04/06	
	GENERAL TOLERANCES (UNLESS SPECIFIED)		CHK'D: TKUMARKC	2022/05/19	
ANGULAR TOL ± 1.0°		APPR: SCHIEN	2022/05/26	DOCUMENT NUMBER	
4 PLACES ±		INITIAL REVISION:		747548825	
3 PLACES ±		DRWN: PKH	2022/04/06	DOC TYPE	DOC PART
2 PLACES ± 0.13		APPR: SCHIEN	2022/05/26	PSD	ASY
1 PLACE ± 0.25		MATERIAL NUMBER		A	
0 PLACES ±		CUSTOMER		SHEET NUMBER	
DRAFT WHERE APPLICABLE MUST REMAIN WITHIN DIMENSIONS		THIRD ANGLE PROJECTION	DRAWING	SERIES	SEE P/N TABLE
			C-SIZE	74754	3 OF 7

# PCB LAYOUT FOR BELLY TO BELLY MOUNT



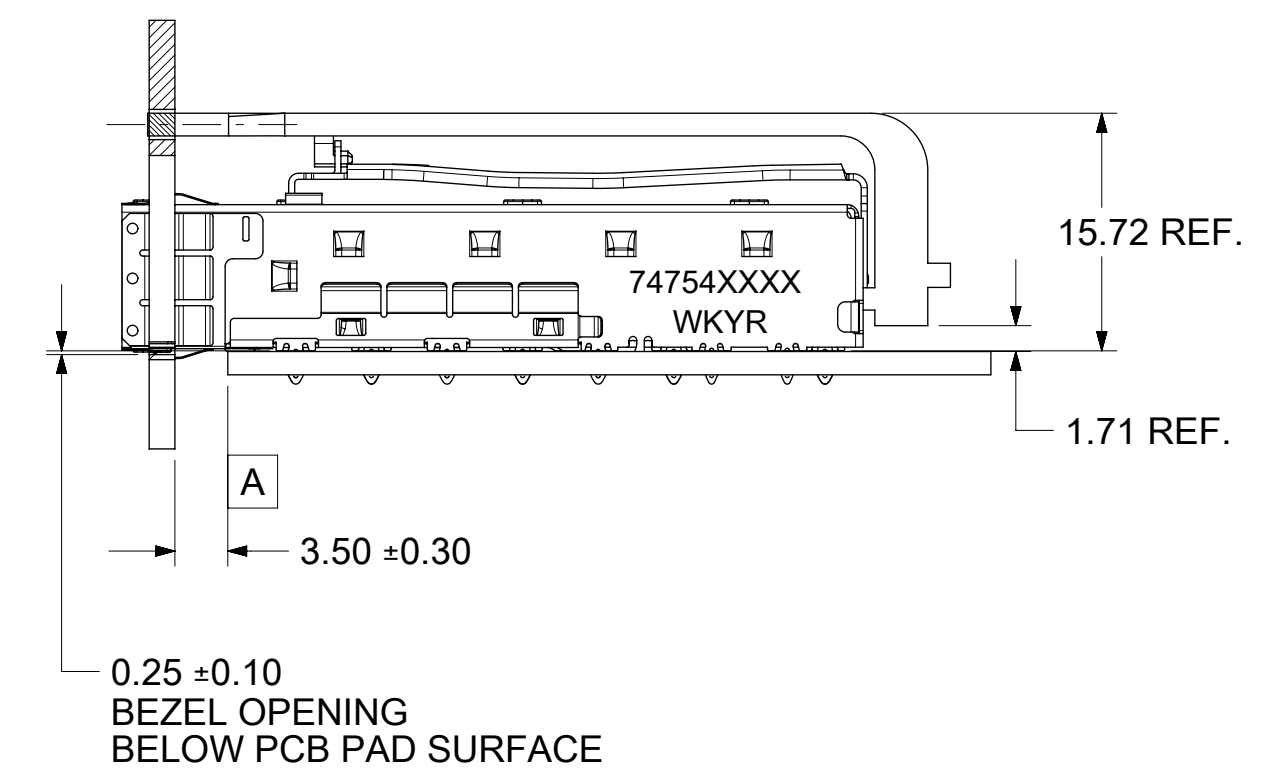
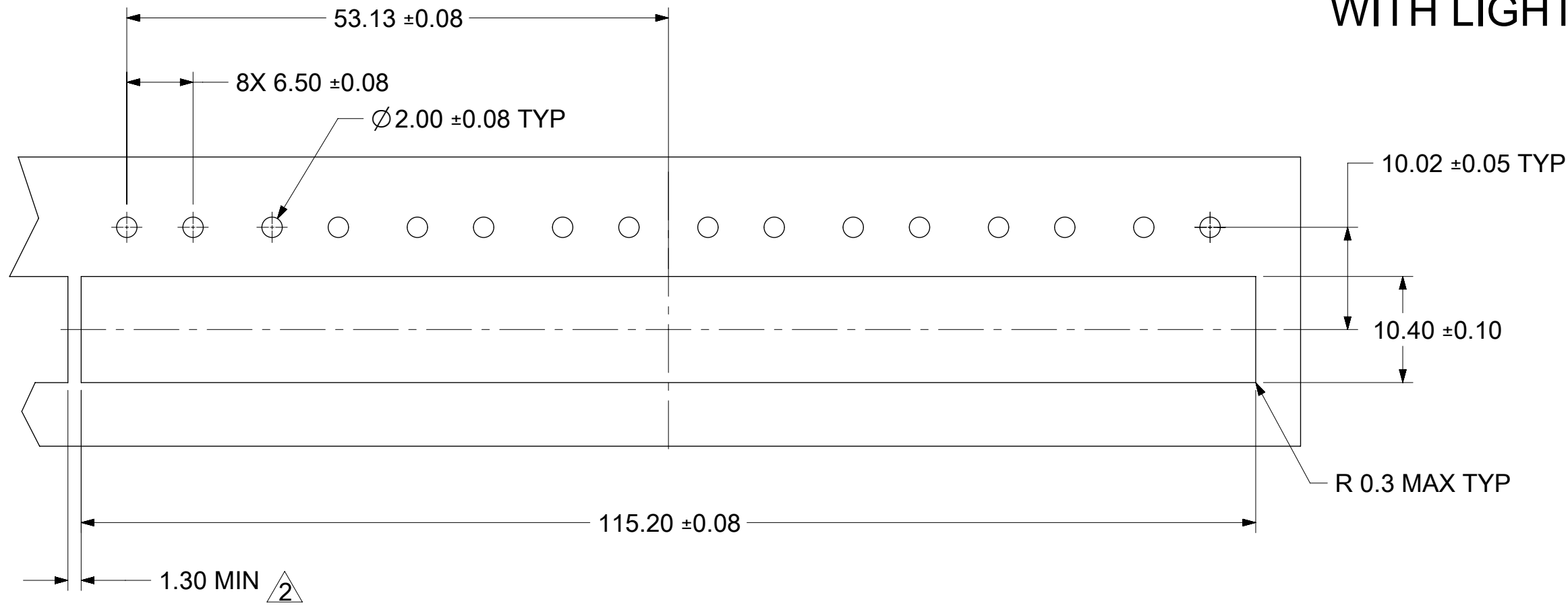
**NOTE:**  
SEE SHEET 3 FOR  
HOST CONNECTOR DETAIL

- NOTES:**
1. PADS AND VIAS CONNECT TO CHASSIS GROUND (RECOMMEND PADS TO BE 2.00MM SQUARE)
  2. RECOMMENDED THRU HOLE PLATING INCLUDES HASL, OSP, OR IMMERSION (GOLD, SILVER, OR TIN).
  3. CONNECTOR PAD LAYOUT PER SFP+ MSA WILL ACCOMMODATE MOLEX CONNECTOR SERIES 170382 OR EQUIVALENT.
  4. HOLE PATTERN REPEATS FOR EACH PORT. SPACING BETWEEN PORTS IS 14.25MM.
  5. MIN PCB THICKNESS FOR BELLY TO BELLY USE: 2.25MM.

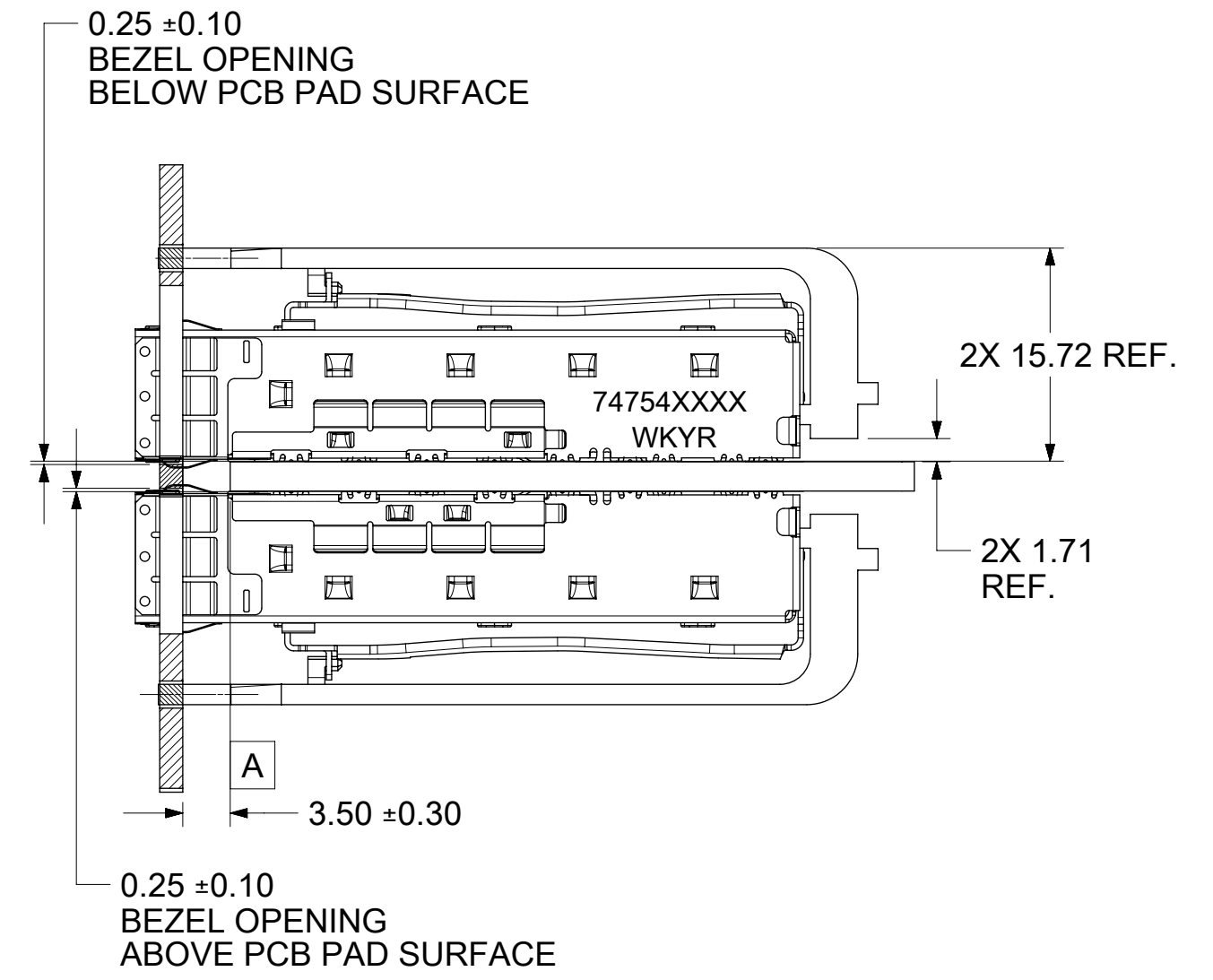
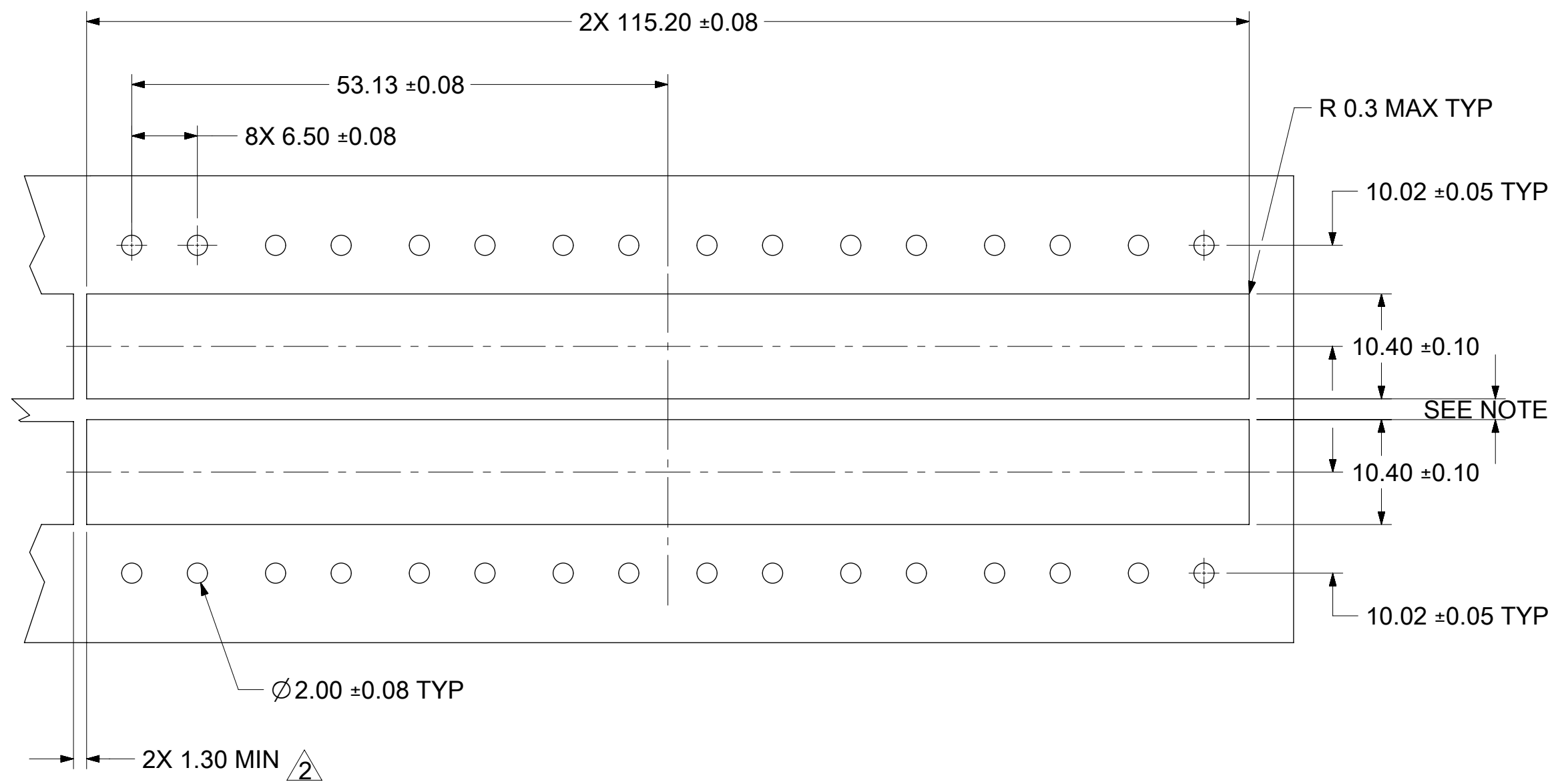
FUNCTIONAL SYMBOLS	THIS DRAWING CONTAINS INFORMATION THAT IS PROPRIETARY TO MOLEX ELECTRONIC TECHNOLOGIES, LLC AND SHOULD NOT BE USED WITHOUT WRITTEN PERMISSION		CURRENT REV DESC: SEE REVISION TABLE	
	DIMENSION UNITS	SCALE		
$\overline{A} = 0$	mm	2.5:1		
$\overline{C} = 0$	GENERAL TOLERANCES (UNLESS SPECIFIED)			
	ANGULAR TOL $\pm$ 1.0°			
DIVISIONAL SYMBOLS	4 PLACES	$\pm$		
	3 PLACES	$\pm$		
	2 PLACES	$\pm$ 0.13		
	1 PLACE	$\pm$ 0.25		
	0 PLACES	$\pm$		
DRAFT WHERE APPLICABLE MUST REMAIN WITHIN DIMENSIONS		THIRD ANGLE PROJECTION	DRAWING	SERIES
			C-SIZE	74754
		EC NO: 706896	DRWN: PKH	2022/04/06
		CHK'D: TKUMARKC	APPR: SCHIEN	2022/05/19
		INITIAL REVISION:	DRWN: PKH	2022/04/06
		APPR: SCHIEN		2022/05/26
		PRODUCT CUSTOMER DRAWING	DOCUMENT NUMBER	DOC TYPE   DOC PART   REVISION
			747548825	PSD   ASY   A
		MATERIAL NUMBER	CUSTOMER	SHEET NUMBER
		SEE P/N TABLE		4 OF 7

DOCUMENT STATUS	P1	RELEASE DATE	2022/05/26 08:01:47
-----------------	----	--------------	---------------------

## BEZEL AND BOARD POSITION DIMENSIONS FOR SINGLE SIDE MOUNTING WITH LIGHT PIPE



## BEZEL AND BOARD POSITION DIMENSIONS FOR BELLY TO BELLY MOUNTING WITH LIGHT PIPE

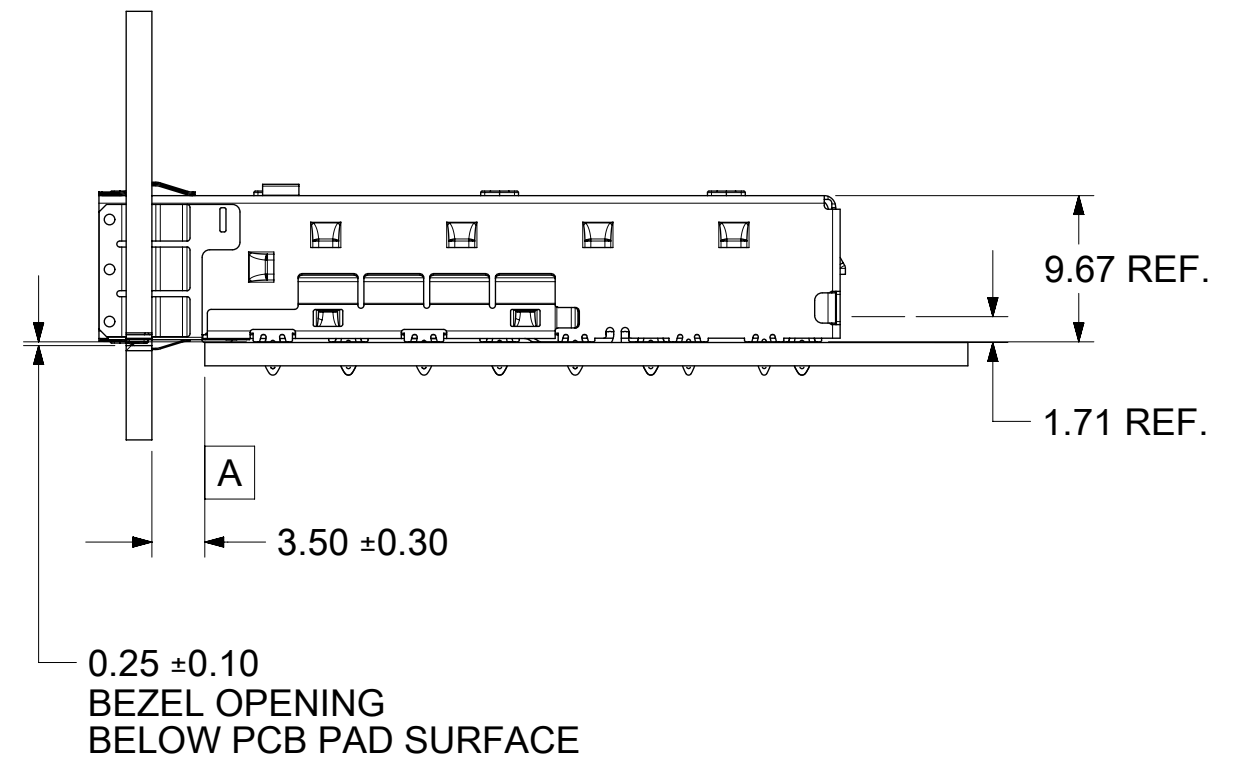
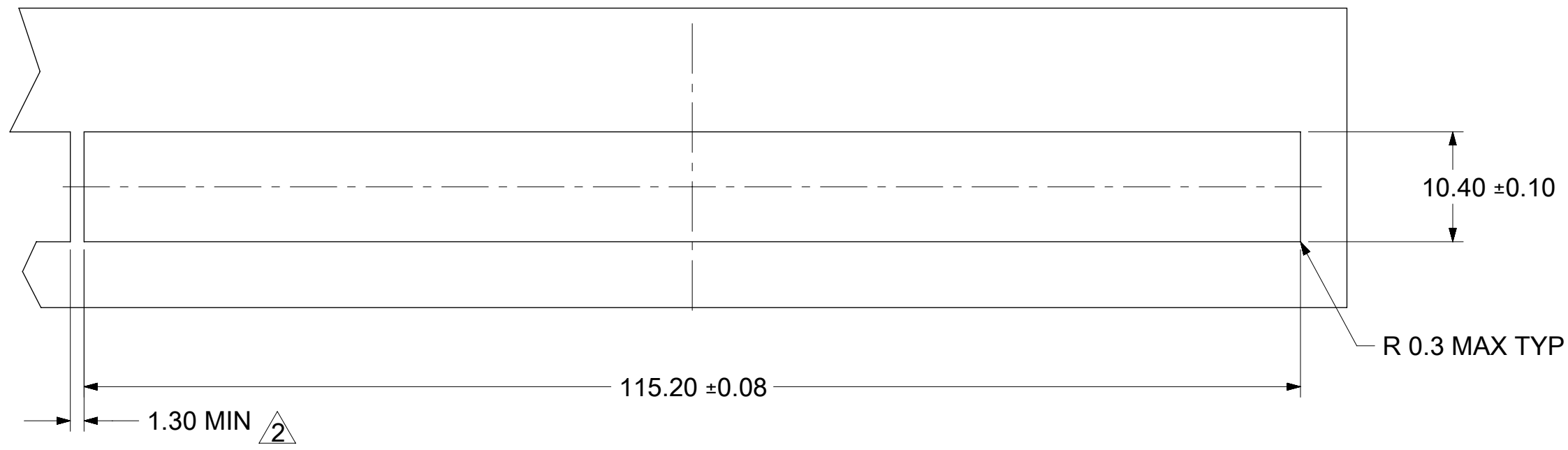


**NOTE:**  
 1. PCB THICKNESS VARIATION MUST BE CONSIDERED WHEN DETERMINING BEZEL OPENING SIZE AND LOCATION.  
 2. THIS DIM IS FOR REF ONLY USER CAN MODIFY IT DEPENDS ON APPLICATION, HOLE OF ADJACENT CAGE ON PCB LAYOUT VARIES BASED ON MODIFICATION.

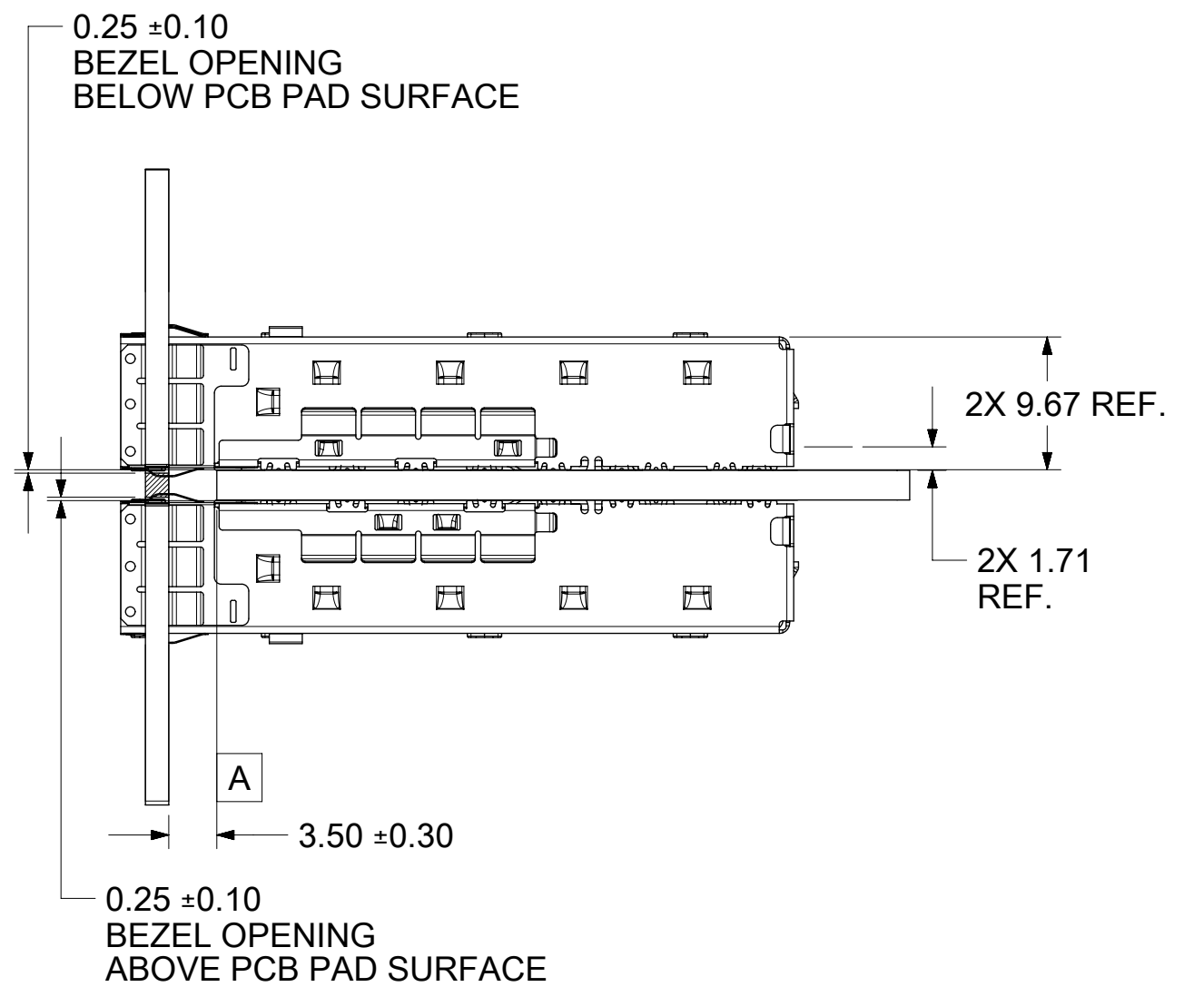
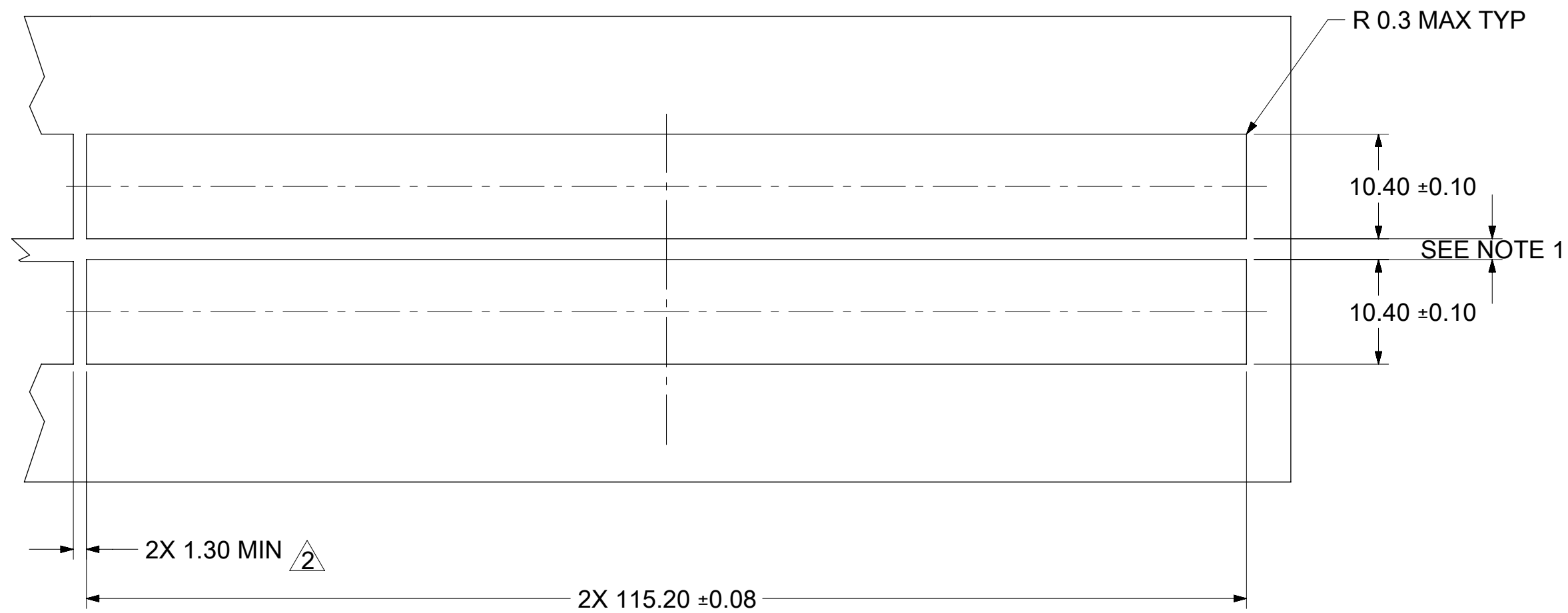
<b>FUNCTIONAL SYMBOLS</b>	THIS DRAWING CONTAINS INFORMATION THAT IS PROPRIETARY TO MOLEX ELECTRONIC TECHNOLOGIES, LLC AND SHOULD NOT BE USED WITHOUT WRITTEN PERMISSION													
$\frac{F}{A} = 0$	DIMENSION UNITS	SCALE	CURRENT REV DESC: SEE REVISION TABLE							<b>molex</b>				
$\frac{F}{C} = 0$	mm	2:1												
$\frac{F}{P} = 0$	GENERAL TOLERANCES (UNLESS SPECIFIED)		EC NO: 706896							SFP+ 1X8 CAGE ASSY, PRESS FIT, W/ SUS SPRING FINGER TYPE WITH LIGHT PIPE OPTIONS				
	ANGULAR TOL ± 1.0°		DRWN: PKH 2022/04/06											
<b>DIVISIONAL SYMBOLS</b>	4 PLACES ±		CHK'D: TKUMARKC 2022/05/19							PRODUCT CUSTOMER DRAWING				
	3 PLACES ±		APPR: SCHIEN 2022/05/26											
	2 PLACES ± 0.13		INITIAL REVISION:							DOCUMENT NUMBER <b>747548825</b>				
	1 PLACE ± 0.25		DRWN: PKH 2022/04/06											
	0 PLACES ±		APPR: SCHIEN 2022/05/26							DOC TYPE	DOC PART	REVISION		
DRAFT WHERE APPLICABLE MUST REMAIN WITHIN DIMENSIONS			THIRD ANGLE PROJECTION		DRAWING		SERIES		MATERIAL NUMBER		CUSTOMER		SHEET NUMBER	
					C-SIZE		74754		SEE P/N TABLE				5 OF 7	

DOCUMENT STATUS	P1	RELEASE DATE	2022/05/26	08:01:47
-----------------	----	--------------	------------	----------

# BEZEL AND BOARD POSITION DIMENSIONS FOR SINGLE SIDE MOUNTING WITHOUT LIGHT PIPE



# BEZEL AND BOARD POSITION DIMENSIONS FOR BELLY TO BELLY MOUNTING WITHOUT LIGHT PIPE



**NOTE:**  
 1.PCB THICKNESS VARIATION MUST BE CONSIDERED WHEN DETERMINING BEZEL OPENING SIZE AND LOCATION.  
 2.THIS DIM IS FOR REF ONLY USER CAN MODIFY IT DEPENDS ON APPLICATION,  
 HOLE OF ADJACENT CAGE ON PCB LAYOUT VARIES BASED ON MODIFICATION.

<b>FUNCTIONAL SYMBOLS</b> $\nabla_A = 0$ $\nabla_C = 0$ $\nabla_P = 0$	THIS DRAWING CONTAINS INFORMATION THAT IS PROPRIETARY TO MOLEX ELECTRONIC TECHNOLOGIES, LLC AND SHOULD NOT BE USED WITHOUT WRITTEN PERMISSION		CURRENT REV DESC: SEE REVISION TABLE	
	DIMENSION UNITS	SCALE		
	mm	1:1		
	GENERAL TOLERANCES (UNLESS SPECIFIED)			
ANGULAR TOL ± 1.0°		EC NO: 706896		
4 PLACES ±		DRWN: PKH	2022/04/06	
3 PLACES ±		CHK'D: TKUMARKC	2022/05/19	
2 PLACES ± 0.13		APPR: SCHIEN	2022/05/26	
1 PLACE ± 0.25		INITIAL REVISION:		
0 PLACES ±		DRWN: PKH	2022/04/06	
DRAFT WHERE APPLICABLE MUST REMAIN WITHIN DIMENSIONS		APPR: SCHIEN	2022/05/26	
		THIRD ANGLE PROJECTION	DRAWING	SERIES
			C-SIZE	74754
		MATERIAL NUMBER		CUSTOMER
		SEE P/N TABLE		
		DOCUMENT NUMBER		DOC TYPE   DOC PART   REVISION
		747548825		PSD   ASY   A
		SHEET NUMBER		
		6 OF 7		

