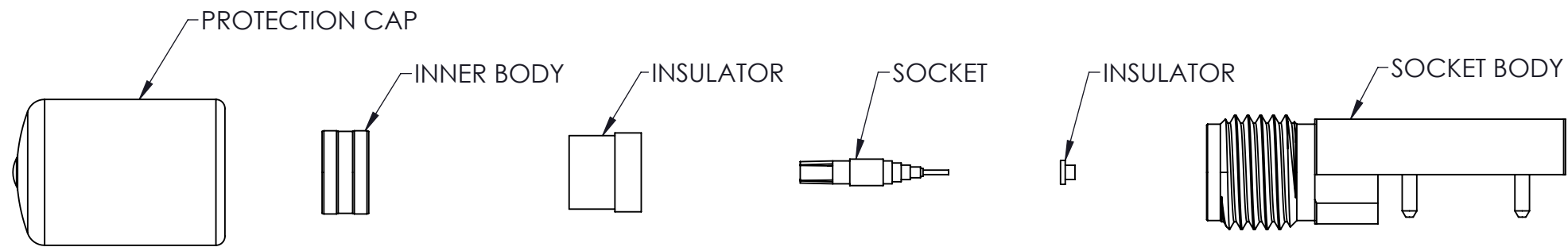
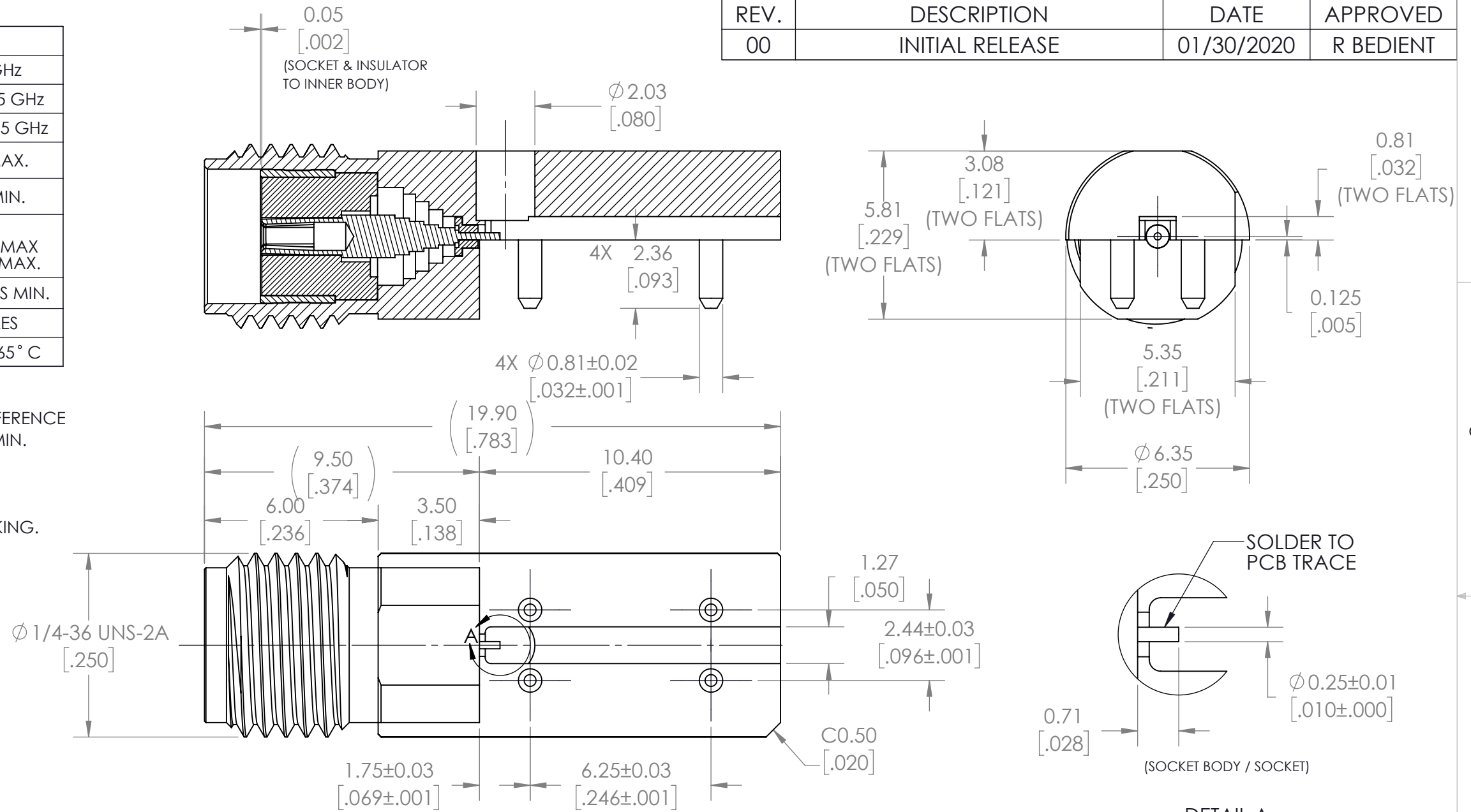


SPECIFICATIONS:
ELECTRICAL RATINGS

IMPEDANCE	50 Ohm
FREQUENCY RANGE	DC ~ 26.5 GHz
V.S.W.R.	1.3 MAX @ 26.5 GHz
INSERTION LOSS	≤ 0.31 DB @ 26.5 GHz
WORKING VOLTAGE (AT SEA LEVEL)	170 V RMS MAX.
DIELECTRIC WITHSTANDING VOLTAGE (AT SEA LEVEL)	500 V RMS MIN.
CONTACT RESISTANCE CENTER CONTACT OUTER CONTACT	6 MILLIOHMS MAX 2 MILLIOHMS MAX.
INSULATION RESISTANCE	5000 MEGOHMS MIN.
DURABILITY	≥ 500 CYCLES
TEMPERATURE RANGE	-65° C TO + 165° C

- NOTES:**
1. THESE CHARACTERISTICS ARE TYPICAL AND FOR REFERENCE
 2. PUSHOUT FORCE FOR INSULATOR: 44.48 N (10 lb) MIN.
 3. PUSHOUT FORCE FOR PIN: 13.35 N (3 lb) MIN.
 4. PRODUCT TO BE PACKAGED 100 PARTS PER TRAY (ONE PART PER POCKET)
 5. PROTECTION CAP MUST BE INSTALLED BEFORE PACKING.

REVISION			
REV.	DESCRIPTION	DATE	APPROVED
00	INITIAL RELEASE	01/30/2020	R BEDIENT

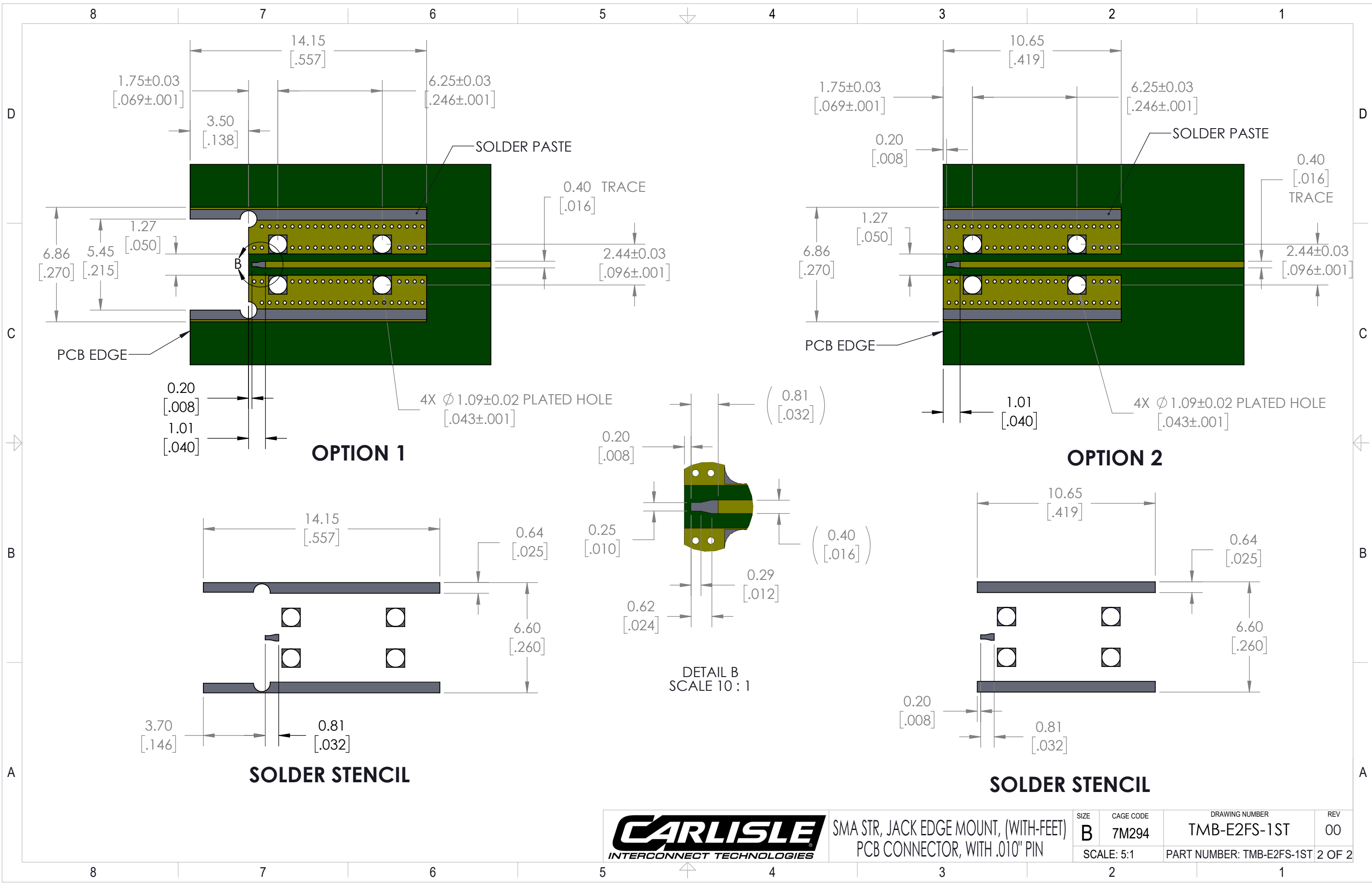


DETAIL A
SCALE 12 : 1

THE INFORMATION CONTAINED HEREIN IS PROPRIETARY TO CARLISLE, INC. AND SHALL IN NO WAY BE REPRODUCED OR DISCLOSED IN WHOLE OR IN PART OR USED FOR ANY DESIGN OR MANUFACTURE EXCEPT WHEN SUCH USER POSSESSES DIRECT, WRITTEN AUTHORIZATION FROM CARLISLE, INC.



DO NOT SCALE DRAWING					
UNLESS OTHERWISE SPECIFIED DIMENSION ARE IN MM TOLERANCES ARE:		APPROVALS	DATE	7911 188th ST SUITE #100 Kent, WA 98032	
.X' .25 .XX' .13 ANGLES ±1.0° SURF FINISH = √40		DRAWN BY R BEDIENT	01/30/2020	SMA STR, JACK EDGE MOUNT, (WITH-FEET) PCB CONNECTOR, WITH .010" PIN	
		ENGINEER R BEDIENT	01/30/2020	SIZE B	CAGE CODE 7M294
		PRODUCTION		DRAWING NUMBER TMB-E2FS-1ST	
		QUALITY		REV 00	
				PART NUMBER: TMB-E2FS-1ST 1 OF 2	



SMA STR, JACK EDGE MOUNT, (WITH-FEET)
PCB CONNECTOR, WITH .010" PIN

SIZE B	CAGE CODE 7M294	DRAWING NUMBER TMB-E2FS-1ST	REV 00
SCALE: 5:1		PART NUMBER: TMB-E2FS-1ST 2 OF 2	