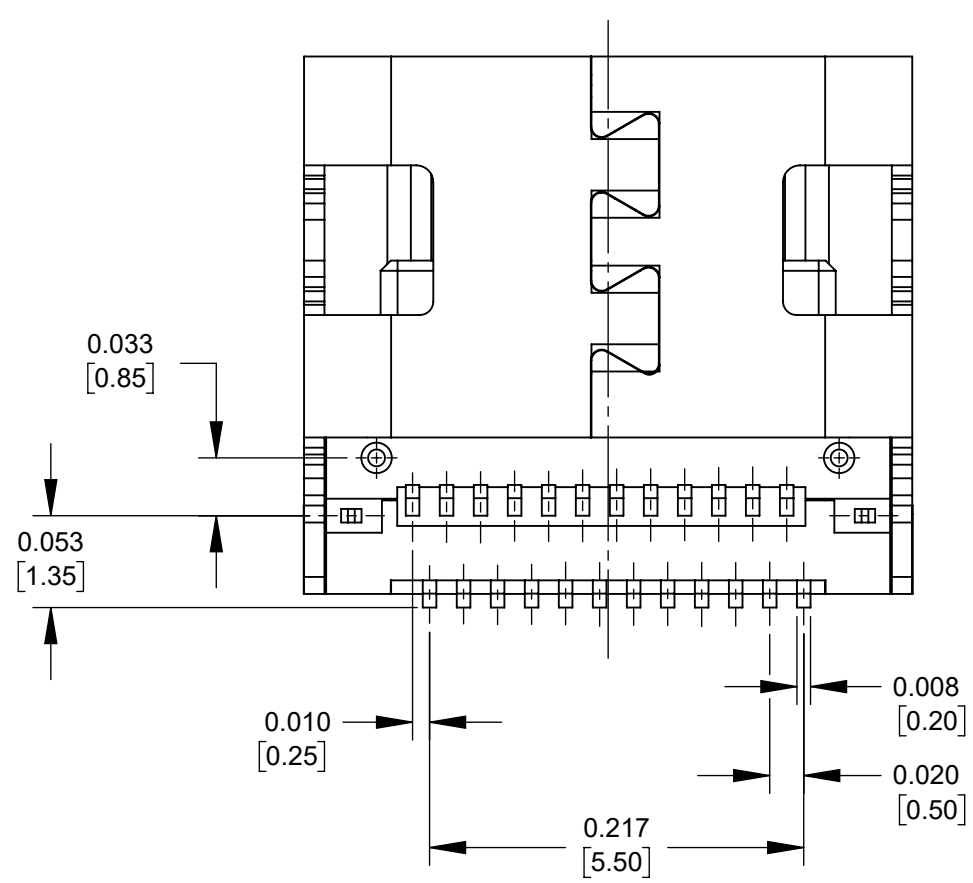


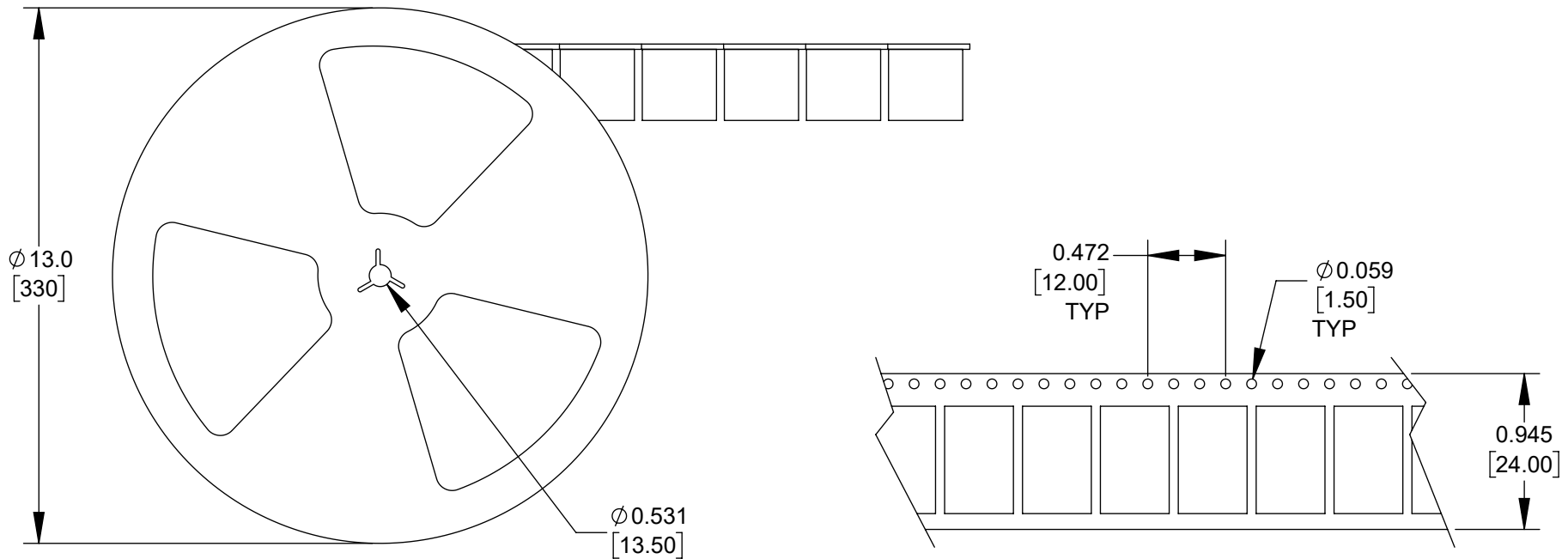
- NOTES:**
- MATERIALS:**  
 HOUSING - THERMOPLASTIC, BLACK  
 TERMINALS - COPPER ALLOY, GOLD PLATED  
 SHELL - STAINLESS STEEL, NICKEL PLATED  
 HOOK - STAINLESS STEEL, TIN PLATED
  - ELECTRICAL CHARACTERISTICS:**  
 CONTACT RESISTANCE - 30mΩ MAX  
 INSULATION RESISTANCE - 100MΩ MIN 250V DC  
 CURRENT RATING - 3A MAX  
 WITHSTANDING VOLTAGE - 250V AC
  - OPERATING TEMPERATURE- -30°C TO +85°C**
  - THIS PRODUCT IS RoHS COMPLIANT.**



**RECOMMENDED PCB LAYOUT (COMPONENT SIDE)**  
SCALE 16:1

**CUSTOMER DRAWING**

UNLESS OTHERWISE SPECIFIED					THIS DRAWING DESCRIBES A DESIGN CONSIDERED PROPRIETARY IN NATURE, DEVELOPED AND MANUFACTURED BY SWITCHCRAFT INC. AND IS RELEASED ON A CONFIDENTIAL BASIS FOR IDENTIFICATION PURPOSES ONLY.				
1. ALL DIMENSIONS IN INCHES [mm]					SIZE	WIDTH	MULT	LBS/M	TEMPER
- TWO PLACE DECIMALS ±0.02 [0.5]					FINISH				MATERIAL
- THREE PLACE DECIMALS ±0.005 [0.13]					SPEC No.				SPEC No.
					FIRST USED ON				SCALE
					DATE DRAWN				9:1
					8/29/22	BY MK	CHKD MK	APVD MK	
					10/27/22				10/27/22
					NAME				PART No.
					RIGHT ANGLE SMT				RAHUC31AU1TR
					USB TYPE-C® 3.1, RoHS				REV
									A
REVISIONS					DO NOT SCALE DRAWING				
A	28548	10/26/22	PC	TJK					



**NOTES:**

1. REEL BEGINS AND ENDS WITH APPROXIMATELY 13 EMPTY CAVITIES.
2. EACH REEL TO HOLD 1,000 PARTS TOTAL.
3. EACH BOX CONTAINS 9 REELS TOTAL FOR 9,000 PARTS PER BOX.
4. THIS PART IS RoHS COMPLIANT.

**CUSTOMER DRAWING**

					THIS DRAWING DESCRIBES A DESIGN CONSIDERED PROPRIETARY IN NATURE, DEVELOPED AND MANUFACTURED BY SWITCHCRAFT INC. AND IS RELEASED ON A CONFIDENTIAL BASIS FOR IDENTIFICATION PURPOSES ONLY.					
					SIZE	WIDTH	MULT	LBS/M	TEMPER	
					UNLESS OTHERWISE SPECIFIED			FINISH		
					1. ALL DIMENSIONS IN INCHES [mm]			MATERIAL		
					- TWO PLACE DECIMALS ±0.02 [0.5]			SPEC No.		
					- THREE PLACE DECIMALS ±0.005 [0.13]			SCALE		
					FIRST USED ON		1:4			
					DATE DRAWN	BY	CHKD	APVD	Switchcraft®	
					08/30/22	TS	TS	TS		
					NAME				PART No.	
					RIGHT ANGLE SMT				RAHUC31AU1TR	
					USB TYPE-C® 3.1, RoHS				REV	
									A	
A	28548	10/26/22	PC	TJK	DO NOT SCALE DRAWING					
REVISIONS										

