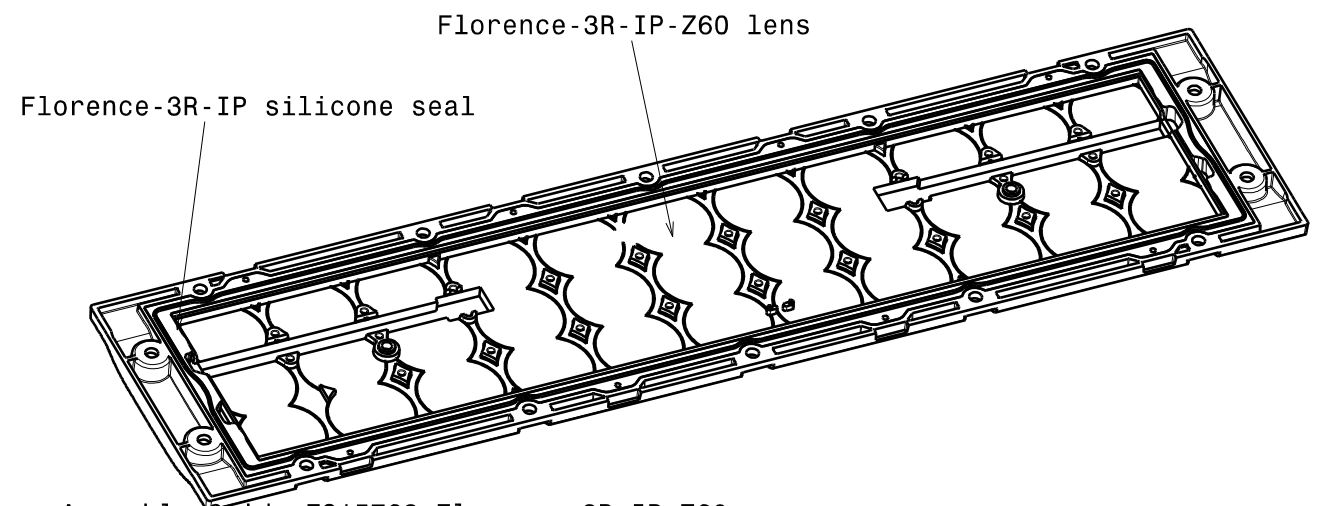
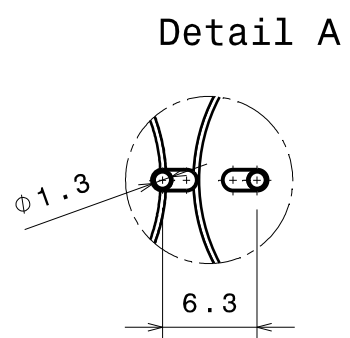
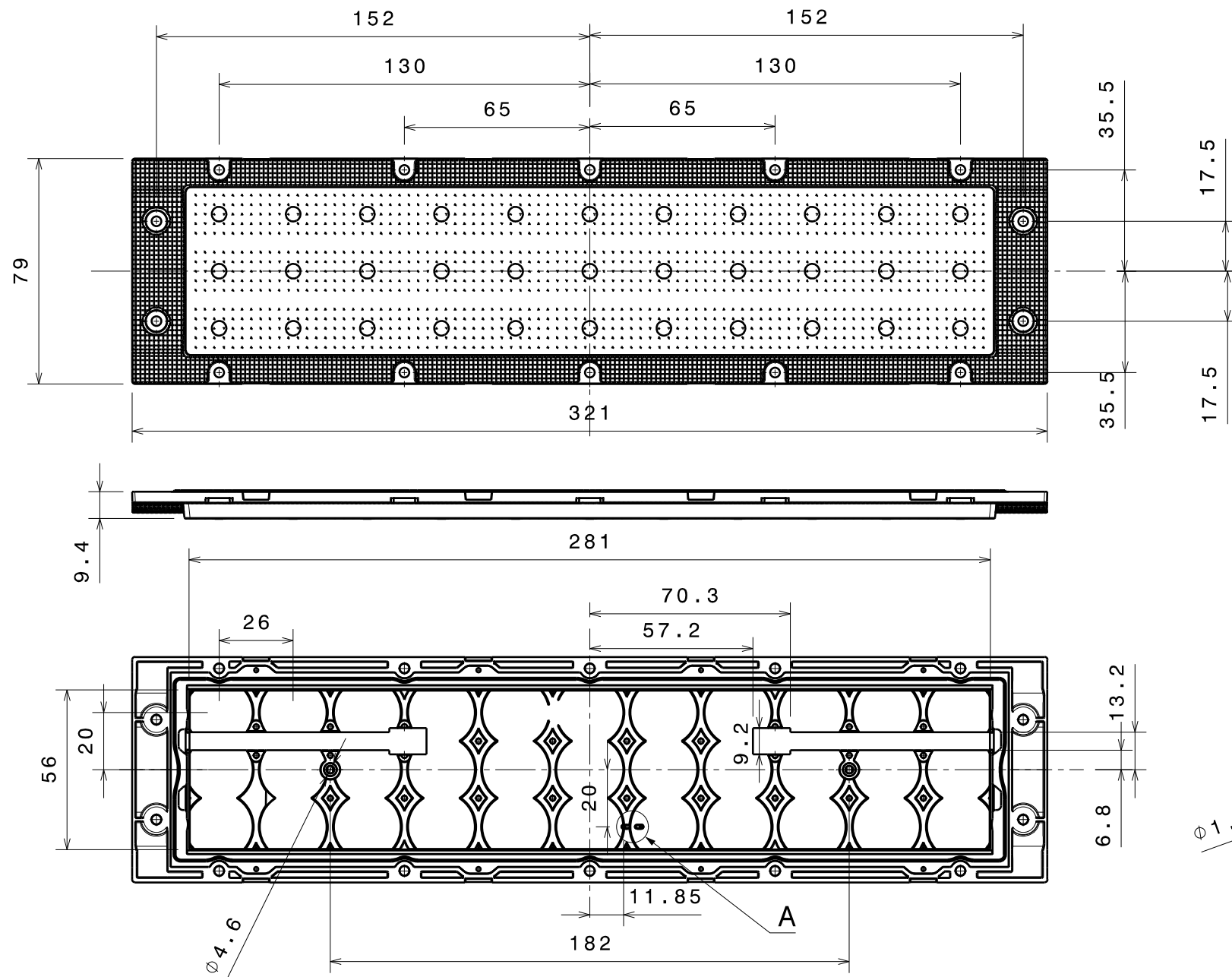


H G F E D C B A



- Assembly Guide FS15768 Florence-3R-IP-Z60:
1. Insert silicone seal into bottom of Florence-3R-IP-Z60 lens
 2. Set lens and silicone seal on top of PCB
 3. Fasten lens to heatsink with 14pcs of M3 screws

Screw type DIN 7985 M3, Max torque 0.6Nm

INDEX	PART NO	DESCRIPTION	MATERIAL	COLOUR
1	F15625	FLORENCE-3R-IP-Seal	Silicone	
2	F15674	FLORENCE-3R-IP-Z60	PC	

Tolerances if not otherwise shown
According to DIN ISO 2768-1
Linear measures:
Up to 30mm class M, otherwise class C.
According to DIN ISO 2768-2
Form and position: class L

LEDiL Ledil Oy
Salorankatu 10
FIN 24240 SALO
Finland

THIRD ANGLE PROJECTION:

DRAWING TITLE
FS15786_Florence-3R-IP-Z60-Mechanical-drawing

This drawing is the property of LEDiL Oy. It may not be reproduced, copied or communicated without a written agreement with LEDiL Oy.

SIZE	PART NUMBER
A3	FS15786

SCALE	1:2	WEIGHT	g	SHEET	1/1
-------	-----	--------	---	-------	-----

H G F E D C B A