

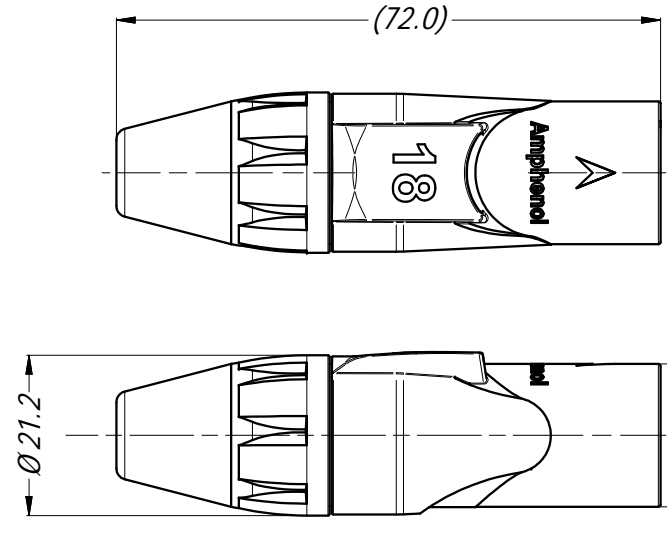
| REVISION HISTORY | | | | | | |
|------------------|------|-------------|-----|----------|----------|------|
| REV | ZONE | DESCRIPTION | BY | APPROVED | DATE | ECN |
| 1 | | FIRST ISSUE | T.N | P.M | 27/07/17 | 9447 |



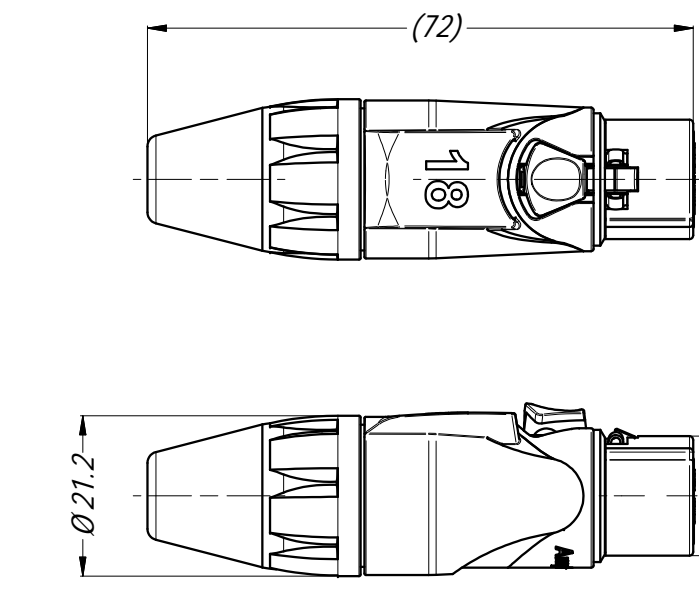
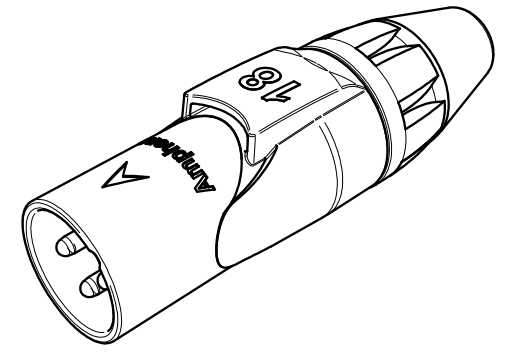
PART NUMBER BREAKDOWN



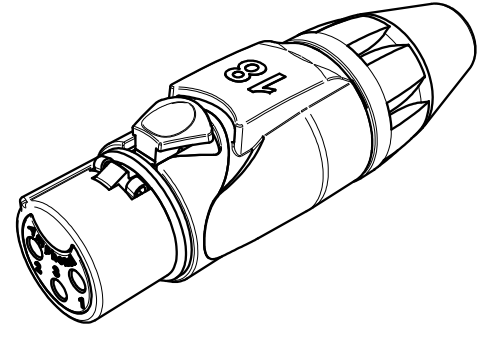
| | |
|-----------------|---|
| SERIES PREFIX | AX |
| SERIES PREFIX | 3 = 3 CONTACTS 4 = 4 CONTACTS 5 = 5 CONTACTS |
| GENDER | F = FEMALE SOCKET CONTACTS M = MALE PIN CONTACTS |
| SHELL FINISH | B = BLACK COATING FINISH BLANK = NICKEL PLATED FINISH |
| SLEEVE COLOR | 0 = BLACK 5 = GREEN 1 = BROWN 6 = BLUE 2 = RED 7 = VIOLET 3 = ORANGE 8 = GREY 4 = YELLOW 9 = WHITE |
| MARKING | M = MARKING BLANK = NO MARKING |
| PRINT NUMBER | FROM 01 TO 99 |
| CONTACT PLATING | AU = GOLD PLATED BLANK = STANDARD PLATING (SILVER OR TIN- REFER TO AX SERIES STANDARD DATA) |



MALE CONNECTOR
1:1



FEMALE CONNECTOR
1:1



NOTE:
 1. NUMBER "18" AS SHOWN ON THE CONNECTOR VIEWS IS FOR AN EXAMPLE OF PRINT ONLY.
 2. LEADING ZEROS ARE OMITTED IN PRINT NUMBERS.
 3. NUMBER 6 AND 9 ARE UNDERLINED.
 4. PRINT COLOR IS BLACK FOR WHITE SLEEVE AND WHITE FOR ALL OF THE REST.

| | | | | | |
|--|--------------|--|------------|----------------|------------------------|
| UNLESS OTHERWISE SPECIFIED TOLERANCE TO BE | | THIS DOCUMENT IS THE PROPERTY OF AMPHENOL AUSTRALIA PTY. LTD. NO PART THEREOF MAY BE REPRODUCED AND USED WITHOUT THE PRIOR WRITTEN CONSENT OF THE OWNER. | | | |
| LINEAR | ANGULAR | MATERIAL: | DRN: T.N | DATE: 17/07/17 | THIRD ANGLE PROJECTION |
| X ± 0.5 | X' ± 1 | | CKD: P.M | DATE: 17/07/17 | |
| X.X ± 0.1 | X.X' ± 30' | | APP'D: P.M | DATE: 17/07/17 | |
| X.X ± 0.05 | X.X'X' ± 15' | DO NOT SCALE | FINISH: | SCALE: 1:1 | SIZE: A3 |
| DIMENSIONS IN MILLIMETRES | | | | | |

| | | | |
|---|--|--|---------------------|
| Amphenol | | Amphenol Australia Pty.Ltd, 22 Industry Blvd, Carrum Downs VIC 3201 | |
| AX SERIES CABLE CONNECTOR MARKING SLEEVE | | PART No: SEE P/No. BREAKDOWN | REV 1 |
| | | DRAWING No. 55010255-000-1 | SHEET 1/1 |