

---

## Product Change Notification (PCN)

---

Issue Date: **8/20/2018**

Modification/Revision Date: **8/20/2018**

### PCN-US-20180802 AK67421-0.3-VM

Change Notification: **PCN-US-20180802 AK67421-0.3-VM**

Description of changes

- 1. Change of specifications**
  - a. Change of cable coil size**
  - b. Change of package**
  
- 2. Drawing revision incremented to rev02 (see page 3)**

Date of change and Implementation: **8/20//2018**

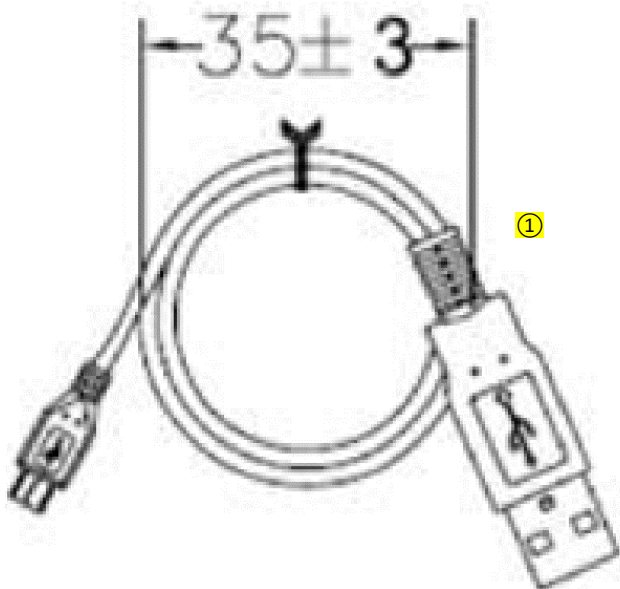
Products Affected: **AK67421-0.3-VM**

Reason for Change: **Change of specification**

Response: **No response to this notification is required.**

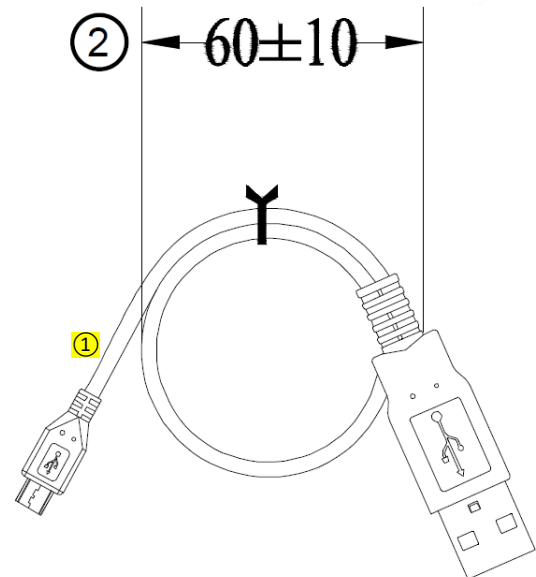
## Product Change Notification (PCN)

Old Version



Packaging: Bulk ②

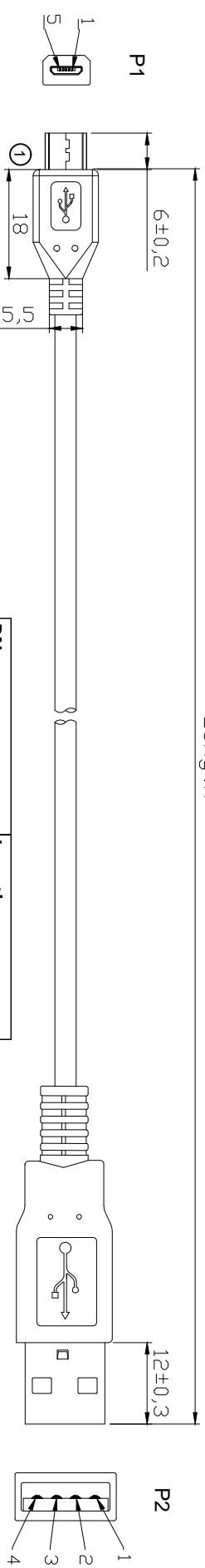
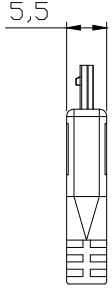
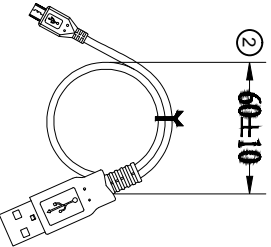
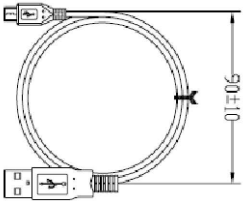
New Version



PACKAGING: 1pcs in PE bag, 10pcs in larger PE bag

①: Change of coil diameter.

②: Change of packaging.

	1	2	3	4	5	6	7																																																																																										
A	Length							A																																																																																									
B								B																																																																																									
C	<table border="1" data-bbox="933 907 1197 1422"> <thead> <tr> <th>PN</th> <th>Length</th> </tr> </thead> <tbody> <tr> <td>AK67421-0.3-VM</td> <td>300mm±20</td> </tr> <tr> <td>AK67421-0.5-VM</td> <td>500mm±20</td> </tr> <tr> <td>AK67421-1-VM</td> <td>1000mm±20</td> </tr> <tr> <td>AK67421-2-VM</td> <td>2000mm±50</td> </tr> <tr> <td>AK67421-3-VM</td> <td>3000mm±60</td> </tr> <tr> <td>AK67421-5-VM</td> <td>5000mm±80</td> </tr> </tbody> </table> <p data-bbox="1077 1512 1109 1624">Material:</p> <ol data-bbox="965 1512 1077 2116" style="list-style-type: none"> <li>1. Cable: USB2.0 UL2725 [28AWG(7/0.12TC+AL)*1P+28AWG(7/0.12TC*2C] +AEB(48B TC)-Jacket: Black OD: 3.5mm</li> <li>2. P1 Connector: Micro USB 5P B/M Solder type</li> <li>3. P2 Connector: Micro USB 5P B/M Solder type</li> </ol> <ul data-bbox="813 1512 933 1848" style="list-style-type: none"> <li>-Shell: Nickel</li> <li>-Pin: G/F</li> <li>-Insulator color: black</li> <li>-Outer jacket: Black</li> <li>3. P2 Connector: USB A Male</li> </ul>							PN	Length	AK67421-0.3-VM	300mm±20	AK67421-0.5-VM	500mm±20	AK67421-1-VM	1000mm±20	AK67421-2-VM	2000mm±50	AK67421-3-VM	3000mm±60	AK67421-5-VM	5000mm±80	C																																																																											
PN	Length																																																																																																
AK67421-0.3-VM	300mm±20																																																																																																
AK67421-0.5-VM	500mm±20																																																																																																
AK67421-1-VM	1000mm±20																																																																																																
AK67421-2-VM	2000mm±50																																																																																																
AK67421-3-VM	3000mm±60																																																																																																
AK67421-5-VM	5000mm±80																																																																																																
D	 <p data-bbox="821 403 853 627">PIN ASSIGNMENT</p> <table border="1" data-bbox="494 280 869 761"> <thead> <tr> <th>P1</th> <th>P1</th> </tr> </thead> <tbody> <tr> <td>1 RED</td> <td>1</td> </tr> <tr> <td>2 WHITE</td> <td>2</td> </tr> <tr> <td>3 GREEN</td> <td>3</td> </tr> <tr> <td>4 BLACK</td> <td>4</td> </tr> <tr> <td>5 SHELL</td> <td>5 SHELL</td> </tr> </tbody> </table> <p data-bbox="821 884 853 1086">AK67421-0.3-VM</p> <p data-bbox="821 1164 853 1444">AK67421-X-VM X=0.5,1,2,3,5</p>   <p data-bbox="670 1512 702 1668">ELECTRICAL</p> <ol data-bbox="518 1512 670 2083" style="list-style-type: none"> <li>1. 100% short, open, miswire test</li> <li>2. Conductor Resistance: 2Ω max.</li> <li>3. Insulation Resistance: 5MΩ min.</li> <li>4. Dielectric test: DC 300V</li> </ol> <p data-bbox="518 1512 550 2083">PACKAGING: 1pcs in PE bag, 10pcs in larger PE bag</p>							P1	P1	1 RED	1	2 WHITE	2	3 GREEN	3	4 BLACK	4	5 SHELL	5 SHELL	D																																																																													
P1	P1																																																																																																
1 RED	1																																																																																																
2 WHITE	2																																																																																																
3 GREEN	3																																																																																																
4 BLACK	4																																																																																																
5 SHELL	5 SHELL																																																																																																
E								E																																																																																									
F								F																																																																																									
G	<p data-bbox="327 179 375 515"><b>RoHS compliant</b></p> <p data-bbox="311 179 343 280">Unit:mm</p> <table border="1" data-bbox="103 593 454 1668"> <thead> <tr> <th>Scale</th> <th>Free</th> <th></th> <th></th> <th></th> <th></th> <th></th> <th></th> </tr> </thead> <tbody> <tr> <td colspan="2">TOLERANCE</td> <td></td> <td></td> <td></td> <td></td> <td></td> <td></td> </tr> <tr> <td>Unit</td> <td>±0.30</td> <td></td> <td></td> <td></td> <td></td> <td></td> <td></td> </tr> <tr> <td></td> <td></td> <td></td> <td></td> <td></td> <td></td> <td></td> <td></td> </tr> <tr> <td>DIM</td> <td>TOL</td> <td></td> <td></td> <td></td> <td></td> <td></td> <td></td> </tr> <tr> <td></td> <td></td> <td></td> <td></td> <td></td> <td></td> <td></td> <td></td> </tr> <tr> <td>X°</td> <td>±X°</td> <td></td> <td></td> <td></td> <td></td> <td></td> <td></td> </tr> <tr> <td>Angle</td> <td>TOL</td> <td></td> <td></td> <td></td> <td></td> <td></td> <td></td> </tr> </tbody> </table> <table border="1" data-bbox="103 761 454 1332"> <thead> <tr> <th>Id.</th> <th>Modification</th> <th>Date</th> <th>Name</th> </tr> </thead> <tbody> <tr> <td>②</td> <td>Update the winding of cable</td> <td>27.04.2018</td> <td>Winnie</td> </tr> <tr> <td>①</td> <td>Update the new drawing</td> <td>30.03.2018</td> <td>Tom</td> </tr> <tr> <td>①</td> <td>Drawn</td> <td>21.07.2017</td> <td>Winnie</td> </tr> </tbody> </table> <table border="1" data-bbox="103 1332 454 1668"> <thead> <tr> <th>Drawn</th> <th>Date</th> <th>Name</th> </tr> </thead> <tbody> <tr> <td>Drawn</td> <td>21.07.2017</td> <td>Winnie</td> </tr> <tr> <td>Approved</td> <td>30.03.2018</td> <td>Winnie</td> </tr> </tbody> </table> <p data-bbox="414 1680 446 1803">Customer-No.</p> <p data-bbox="319 1680 351 1870">ASSMANN WSW-No. AK67421-X-VM</p> <p data-bbox="247 1680 279 1803">Drawing-No.</p> <p data-bbox="167 1713 231 1993">ASS 8033 CA</p> <p data-bbox="183 2016 231 2105">rev02</p>							Scale	Free							TOLERANCE								Unit	±0.30															DIM	TOL															X°	±X°							Angle	TOL							Id.	Modification	Date	Name	②	Update the winding of cable	27.04.2018	Winnie	①	Update the new drawing	30.03.2018	Tom	①	Drawn	21.07.2017	Winnie	Drawn	Date	Name	Drawn	21.07.2017	Winnie	Approved	30.03.2018	Winnie	G
Scale	Free																																																																																																
TOLERANCE																																																																																																	
Unit	±0.30																																																																																																
DIM	TOL																																																																																																
X°	±X°																																																																																																
Angle	TOL																																																																																																
Id.	Modification	Date	Name																																																																																														
②	Update the winding of cable	27.04.2018	Winnie																																																																																														
①	Update the new drawing	30.03.2018	Tom																																																																																														
①	Drawn	21.07.2017	Winnie																																																																																														
Drawn	Date	Name																																																																																															
Drawn	21.07.2017	Winnie																																																																																															
Approved	30.03.2018	Winnie																																																																																															
H	<p data-bbox="135 1332 231 1668"><b>ASSMANN</b> WSW components</p> <p data-bbox="135 1713 167 1803">Replace</p> <p data-bbox="135 2016 167 2105">SHEET</p>							H																																																																																									
1	2	3	4	5	6	7	CAB0743																																																																																										