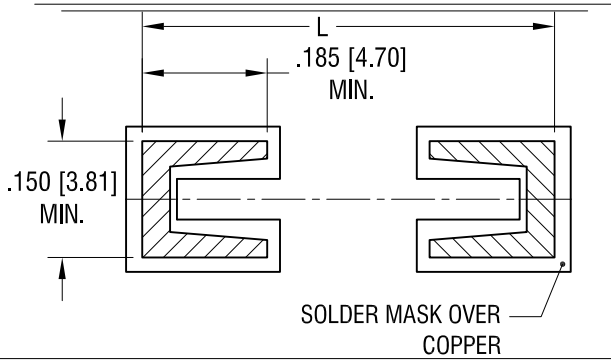


THIS DOCUMENT IS THE PROPERTY OF
KEYSTONE ELECTRONICS CORP. AND
SHALL NOT BE REPRODUCED, DISTRIBUTED
OR USED AS A BASIS FOR MANUFACTURE
WITHOUT PRIOR WRITTEN PERMISSION
FROM KEYSTONE ELECTRONICS CORP.

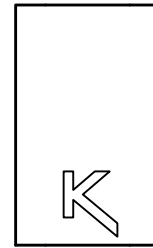
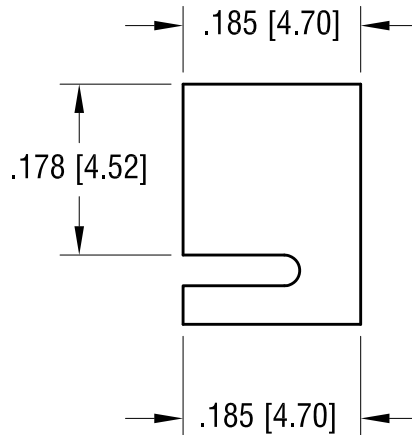
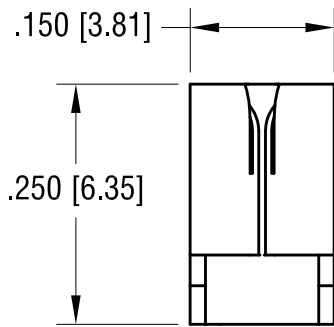
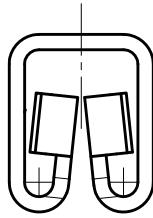
MOUNTING LAYOUT FOR TWO CLIPS

L = .580 [14.72] FOR MINI FUSES

L = .768 [19.5] FOR STANDARD AND LOW PROFILE FUSES



ACTUAL SIZE



2.01.23	CHANGE AS PER ECN 23-012	A
DATE	DESCRIPTION	REV.

KEYSTONE ELECTRONICS CORP.			
www.keyelco.com • NEW HYDE PARK, NY 11040 • Tel (516) 328-7500			
PART NAME		AUTO FUSE CLIP	
MATERIAL		.016 [0.41] TH'K BRASS	
FINISH		DRN BY	DATE
MATTE TIN PLATE		NT	6.06.18
		APP'D	SCALE
		RH	5X
TOLERANCES	INCH [MM]	CODE	DWG NO.
DECIMAL	± .005 [± 0.13]	C	3584
ANGULAR	± 1°		
UNLESS OTHERWISE SPECIFIED			