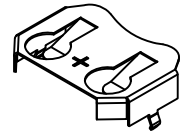
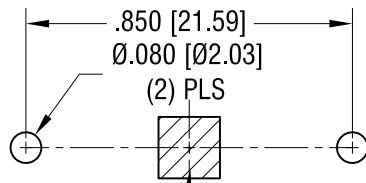


THIS DOCUMENT IS THE PROPERTY OF
KEYSTONE ELECTRONICS CORP. AND
SHALL NOT BE REPRODUCED, DISTRIBUTED
OR USED AS A BASIS FOR MANUFACTURE
WITHOUT PRIOR WRITTEN PERMISSION
FROM KEYSTONE ELECTRONICS CORP.

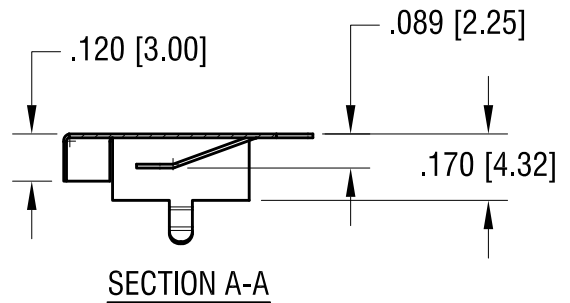
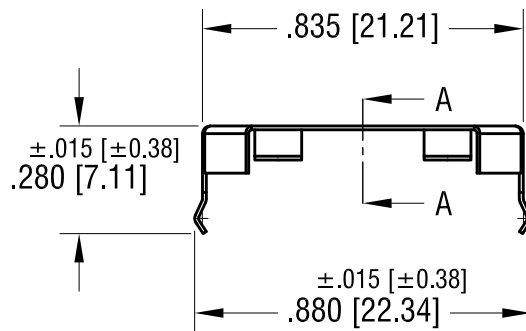
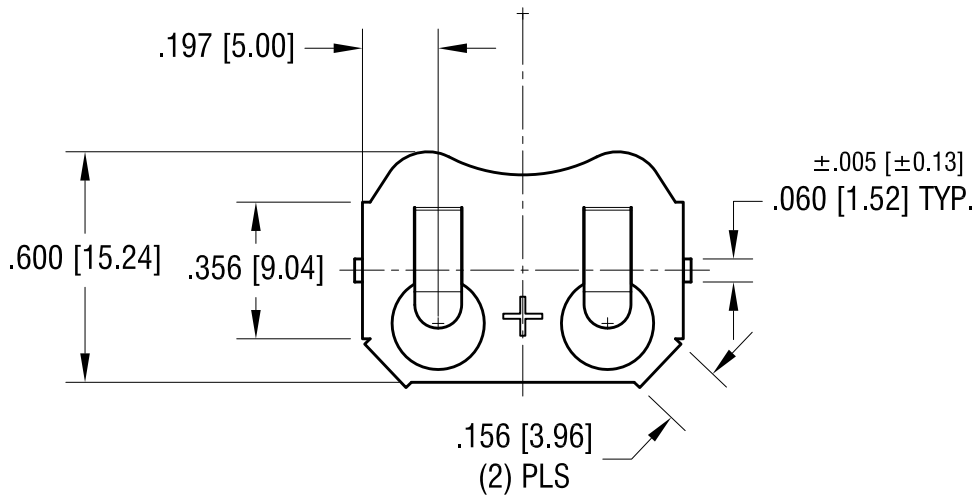
ACTUAL SIZE



MOUNTING PAD LAYOUT



NEG. CONTACT (PAD)
.160 [4.00] SQ. MIN.



NOTE:

1. POLARITY MARKER IS CUT THROUGH MATERIAL

KEYSTONE ELECTRONICS CORP.

www.keyelco.com • NEW HYDE PARK NY 11040 • Tel (516)328-7500

PART NAME

THM COIN CELL RETAINER FOR 20mm

MATERIAL

.010 [0.25] PHOSPHOR BRONZE

FINISH

NICKEL PLATE

DRN BY

NT

DATE

3.30.15

APP'D

RH

SCALE

2X

TOLERANCES

INCH [MM]
DECIMAL ±.010 [±0.25]

CODE

C

DWG NO.

3035

DATE

DESCRIPTION

REV.

UNLESS OTHERWISE SPECIFIED