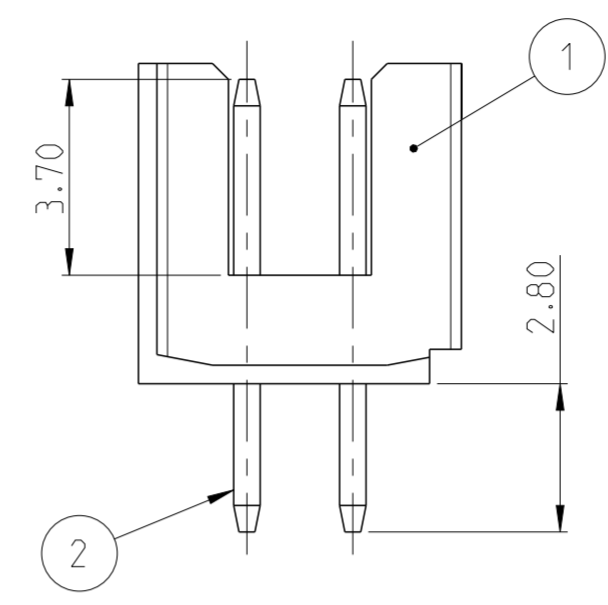
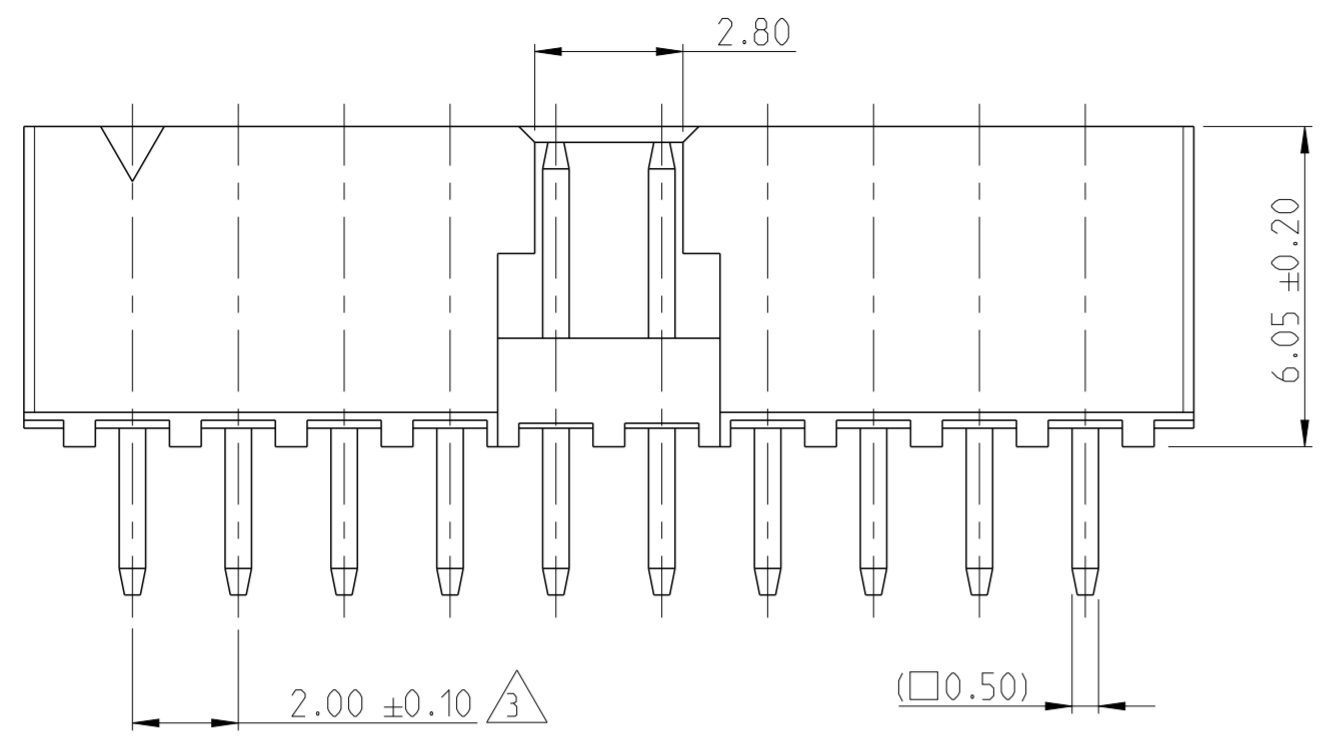
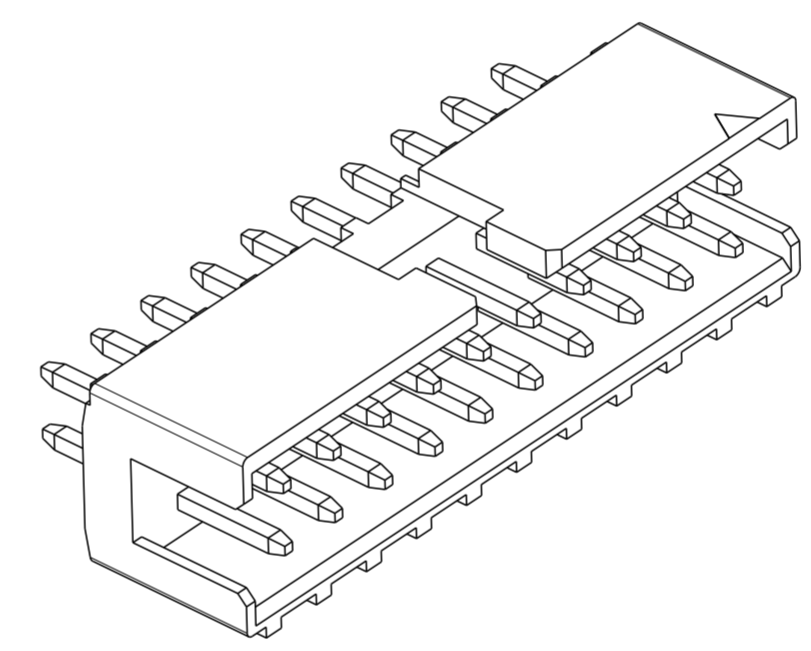
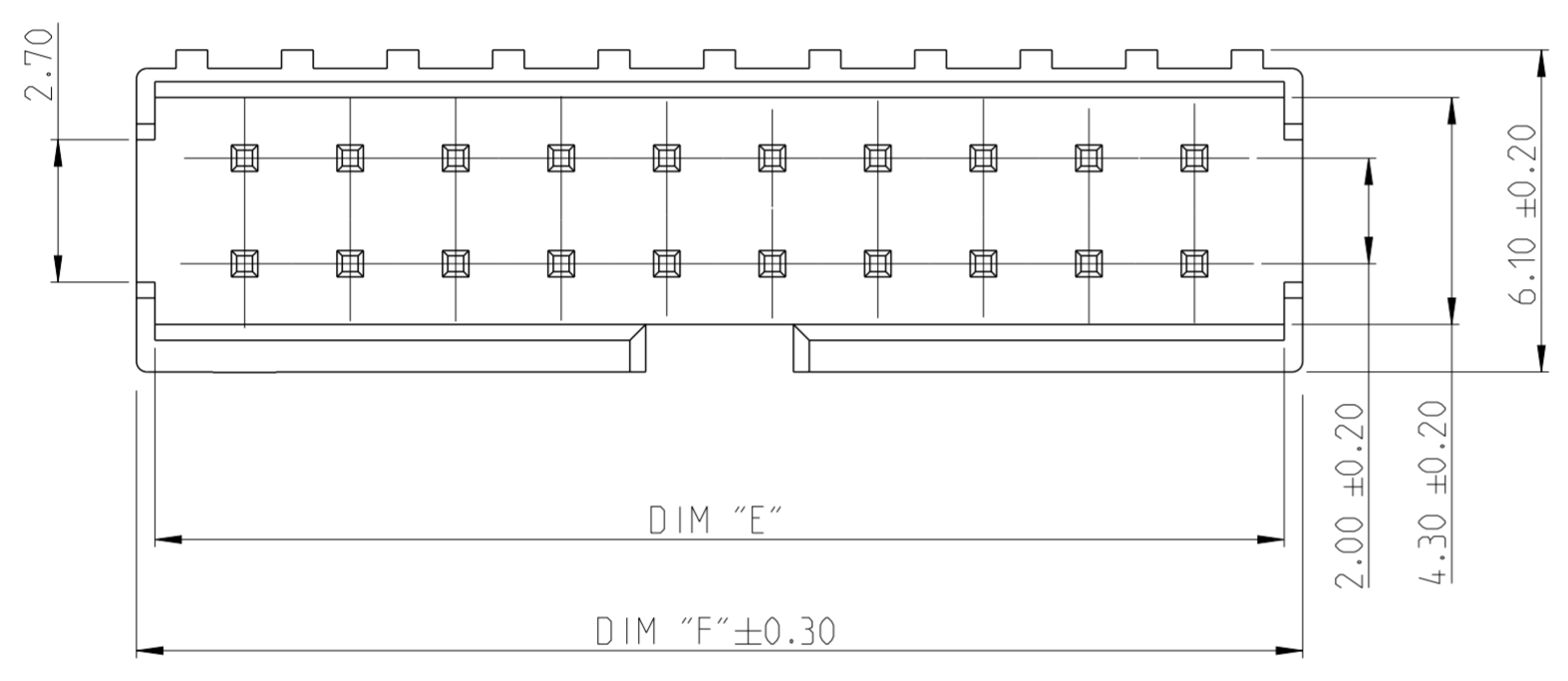


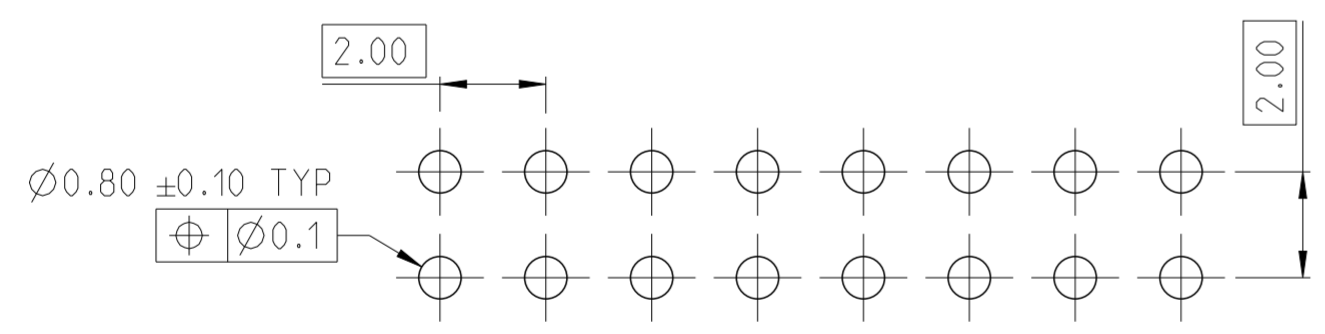
REVISIONS					
P	LTR	DESCRIPTION	DATE	DWN	APVD
	A	RELEASE TO PRODUCTION	28NOV2019	AY	PS
	A1	REMOVE POSITION 4	04JUN2020	AY	PS



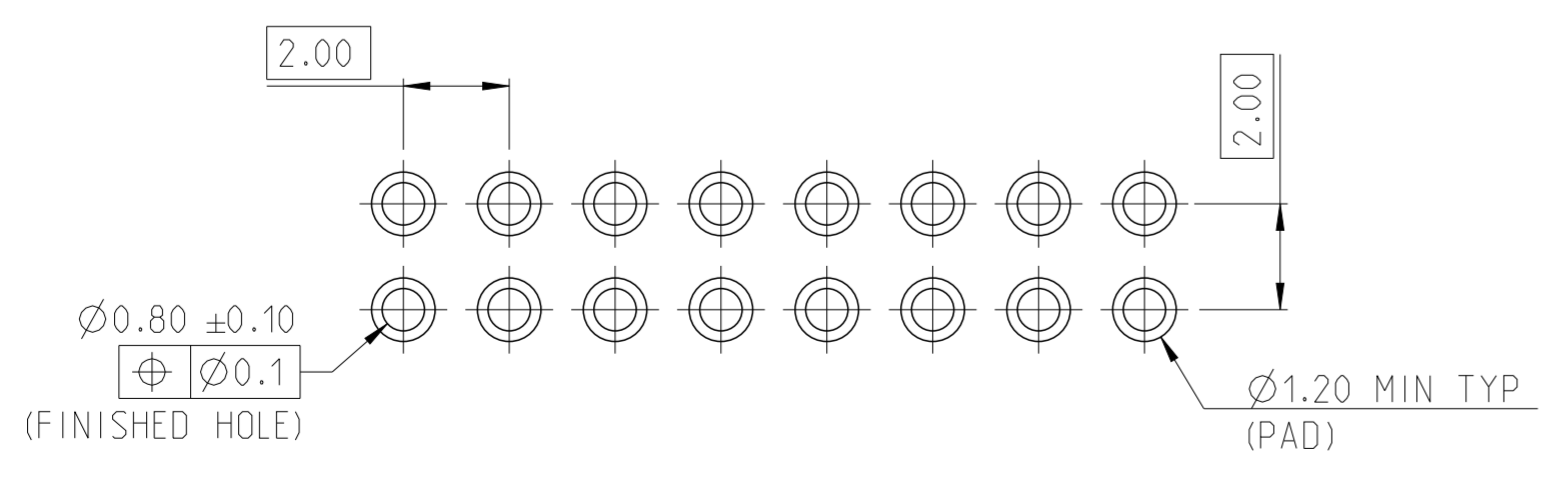
- NOTES:
- MATERIAL
HOUSING : HIGH TEMPERATURE THERMOPLASTIC, UL94-V0; COLOR- BLACK
POST : COPPER ALLOY
FINISH : MIN. 2.0 µm TIN OVER NICKEL UNDER PLATING.
 - PACKAGING: TUBE
- TOLERANCE NOT CUMULATIVE.



52.10	51.40	50	5-2842281-0
50.10	49.40	48	4-2842281-8
48.10	47.40	46	4-2842281-6
46.10	45.40	44	4-2842281-4
44.10	43.40	42	4-2842281-2
42.10	41.40	40	4-2842281-0
40.10	39.40	38	3-2842281-8
38.10	37.40	36	3-2842281-6
36.10	35.40	34	3-2842281-4
34.10	33.40	32	3-2842281-2
32.10	31.40	30	3-2842281-0
30.10	29.40	28	2-2842281-8
28.10	27.40	26	2-2842281-6
26.10	25.40	24	2-2842281-4
24.10	23.40	22	2-2842281-2
22.10	21.40	20	2-2842281-0
20.10	19.40	18	1-2842281-8
18.10	17.40	16	1-2842281-6
16.10	15.40	14	1-2842281-4
14.10	13.40	12	1-2842281-2
12.10	11.40	10	1-2842281-0
10.10	9.40	8	2842281-8
8.10	7.40	6	2842281-6
DIM "F"	DIM "E"	POS.	TE PN.



RECOMMENDED PCB HOLE PATTERN FOR THROUGH HOLE WAVE



RECOMMENDED PCB HOLE PATTERN FOR THROUGH HOLE REFLOW /PIN-IN-PASTE

2-2842281-0 AS SHOWN

CONTACT PIN	2
HOUSING	1
DESCRIPTION	ITEM NO.

THIS DRAWING IS A CONTROLLED DOCUMENT.		DWN ANKIT YADAV 11NOV2019	
		CHK KARTHIK JK 25NOV2019	
		APVD PRASHANTH S. 27NOV2019	
		NAME AMPMODU 2mm SHROUDED HEADER DUAL ROW, VERTICAL TH. SN. TUBE.	
DIMENSIONS: mm	TOLERANCES UNLESS OTHERWISE SPECIFIED:	PRODUCT SPEC 108-64040	SIZE A2
	0 PLC ±	APPLICATION SPEC 114-32259	CAGE CODE 00779
	1 PLC ±	WEIGHT -	DRAWING NO C-2842281
	2 PLC ±0.25		RESTRICTED TO -
	3 PLC ±		SCALE 5:1
	4 PLC ±		SHEET 1 OF 1
	ANGLES ±2°		REV A1
MATERIAL SEE NOTES	FINISH SEE NOTES	CUSTOMER DRAWING	