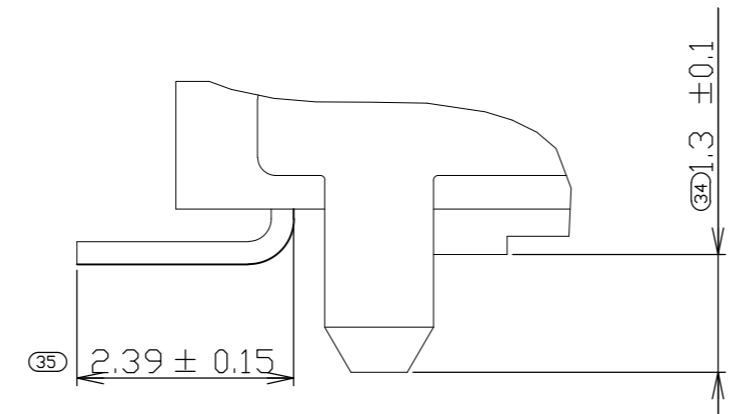
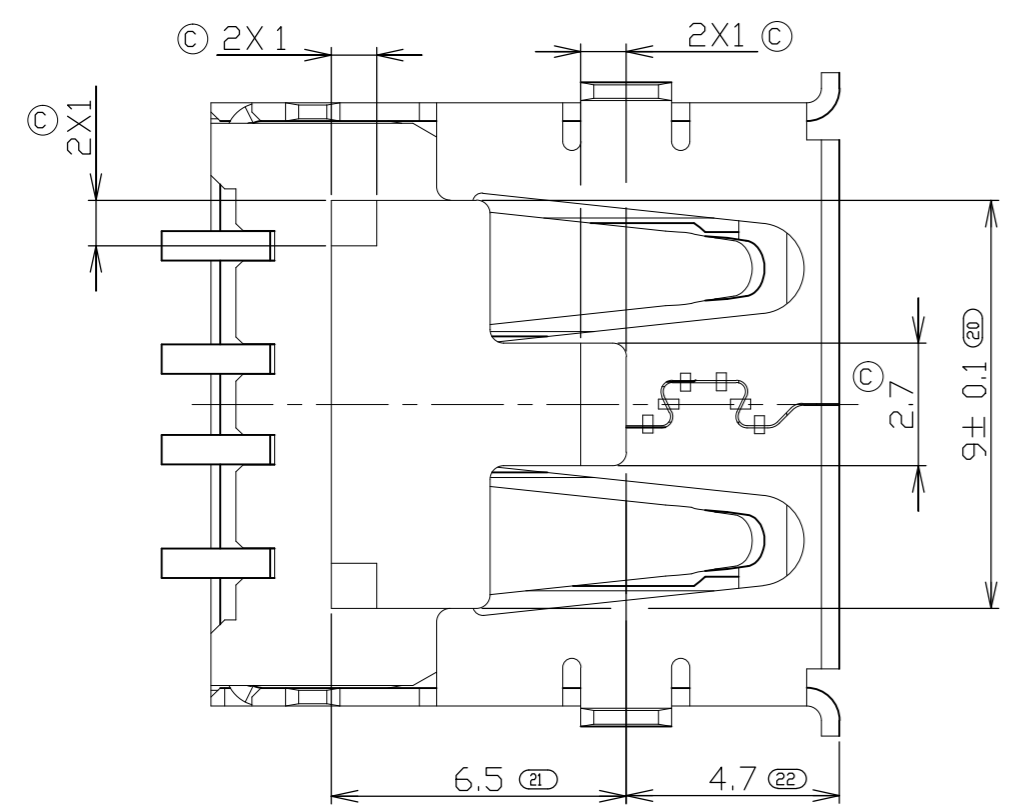
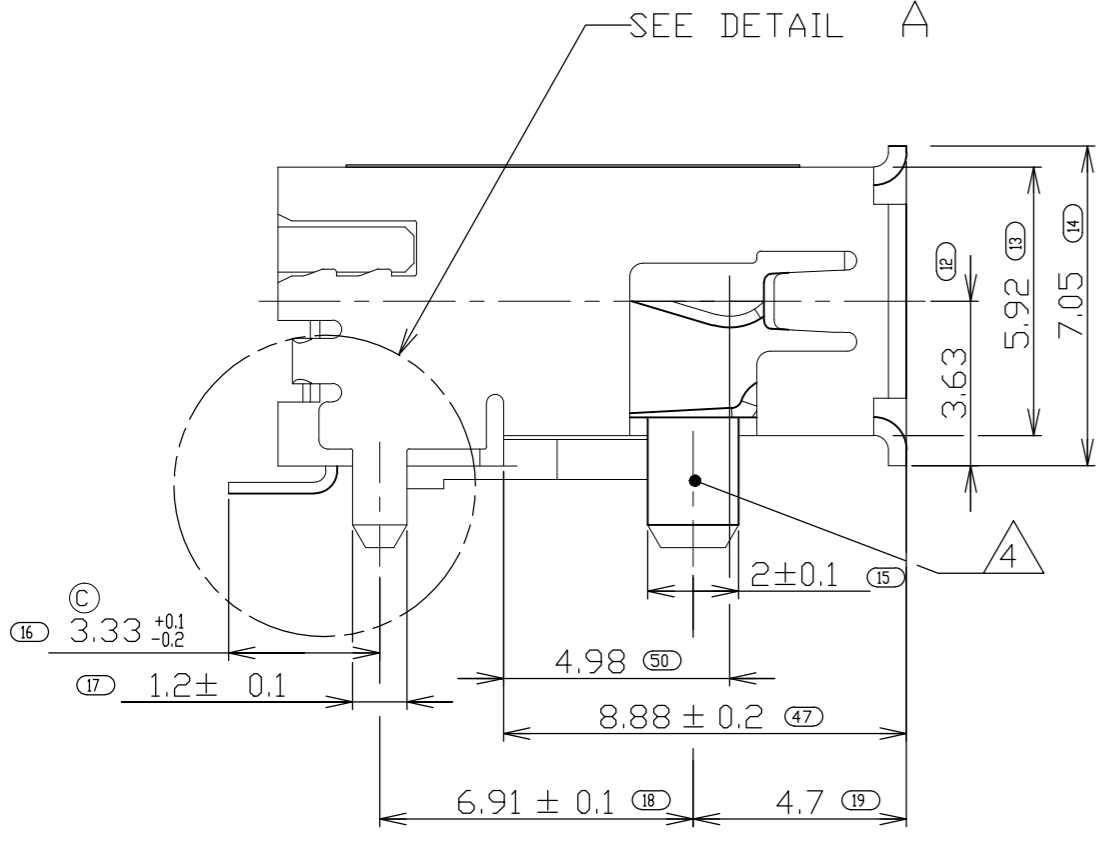
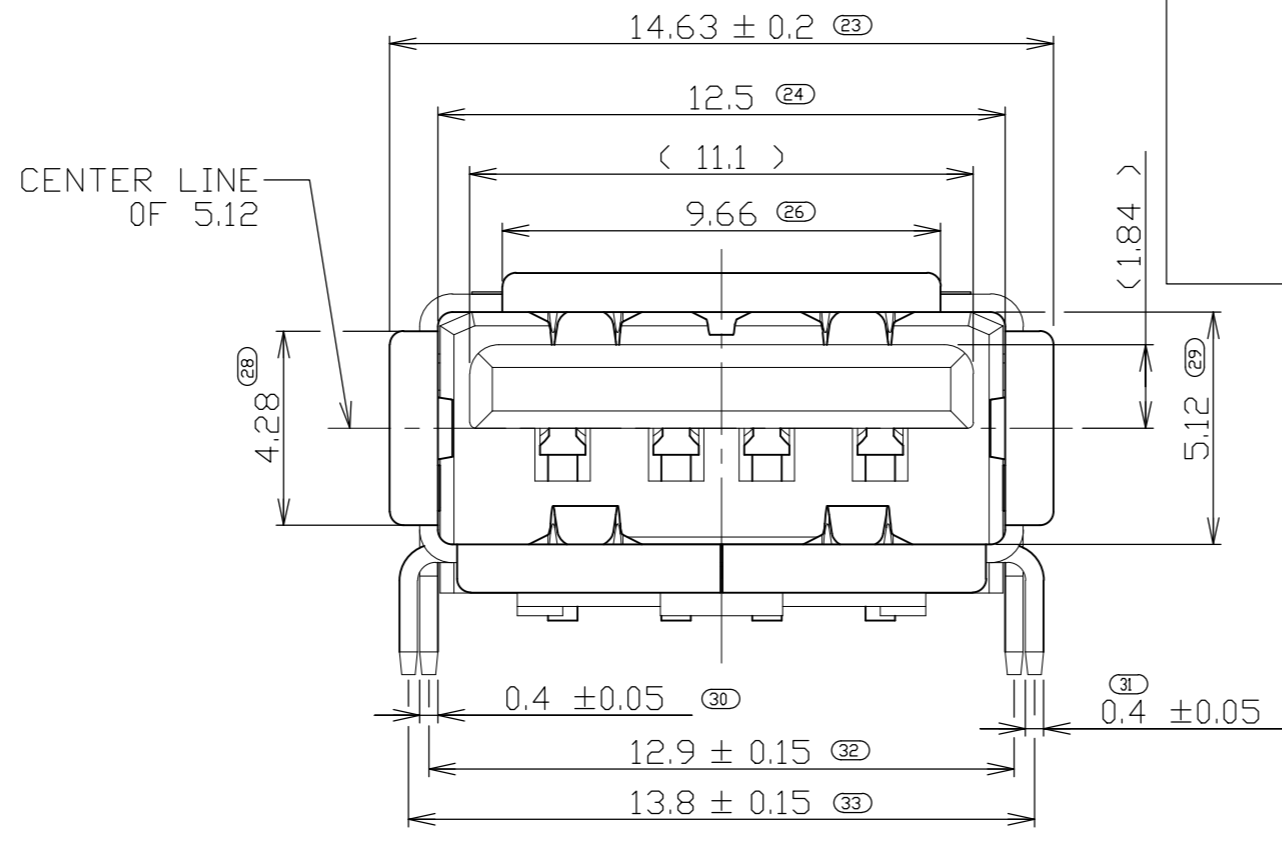
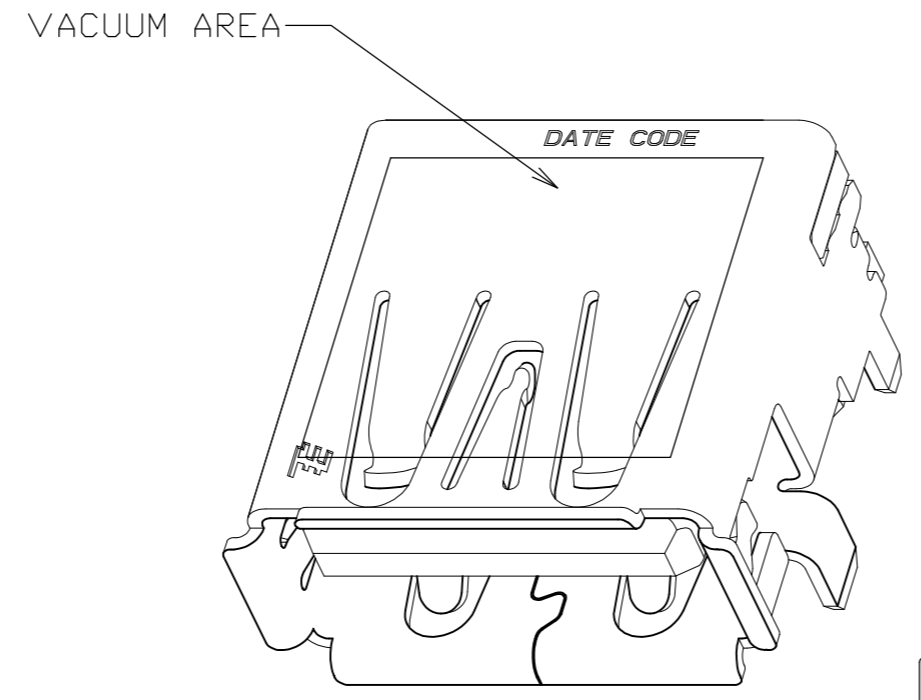
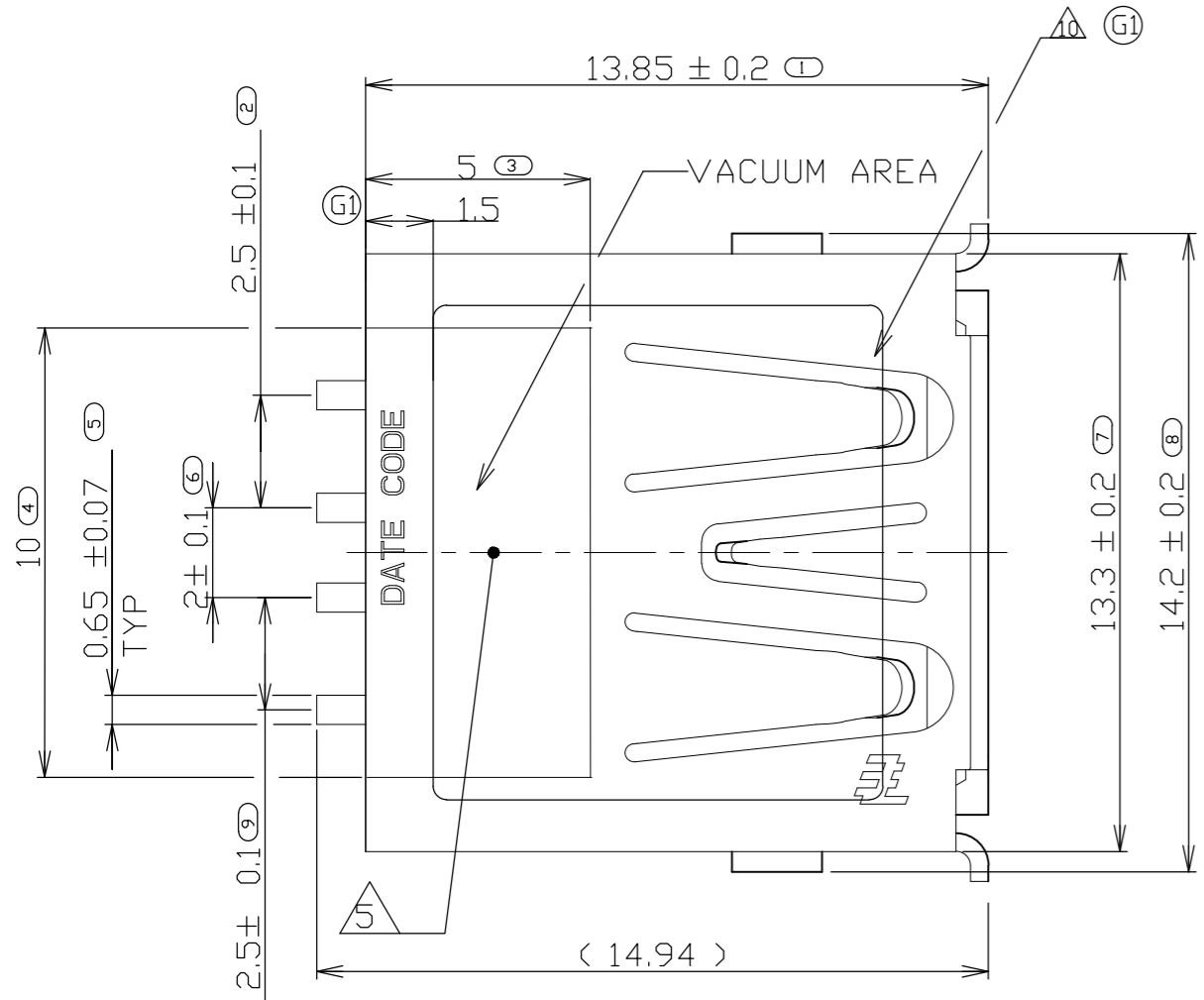
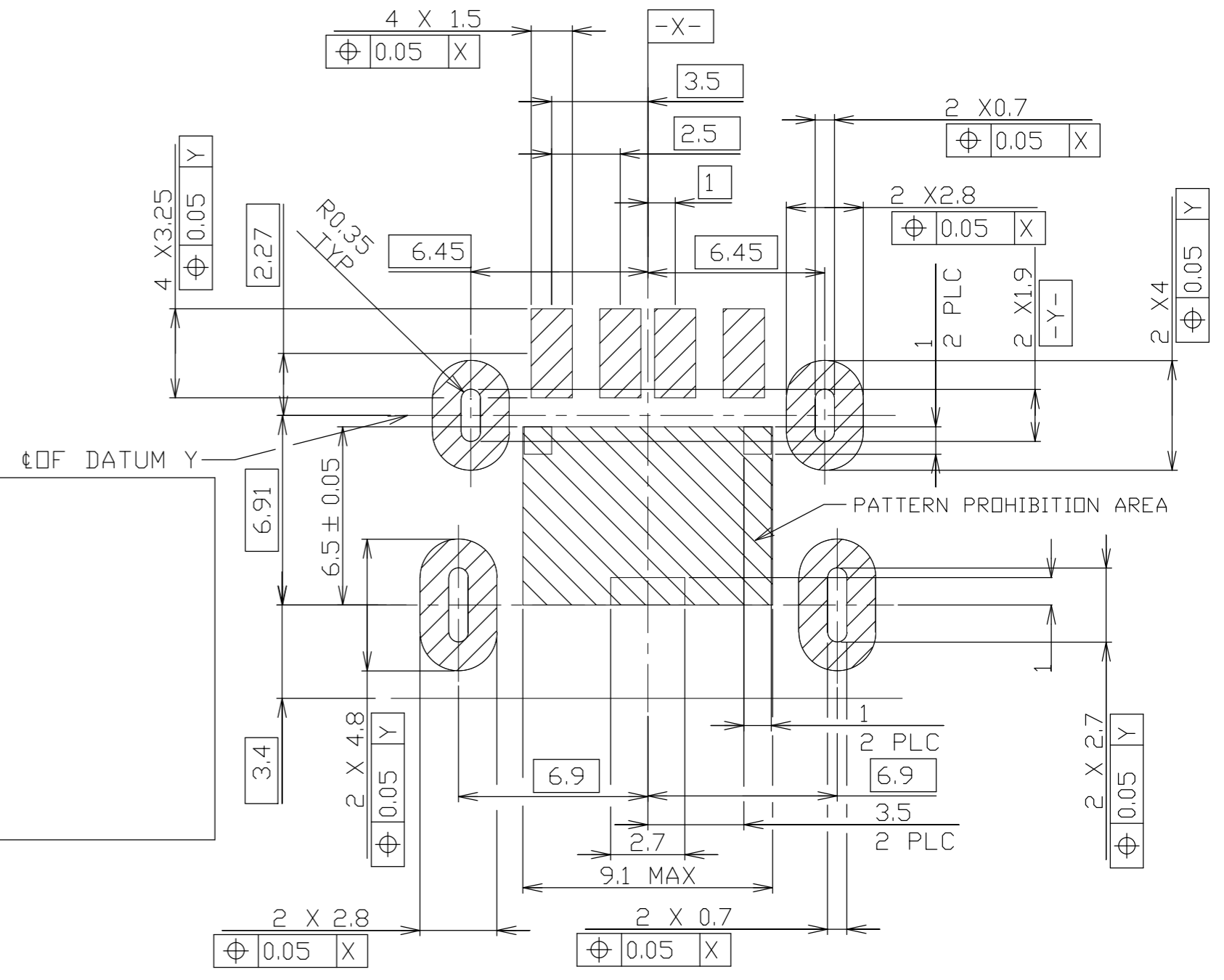


THIS DRAWING IS UNPUBLISHED. RELEASED FOR PUBLICATION
 © COPYRIGHT - By - ALL RIGHTS RESERVED.

LOC		DIST		REVISIONS			
P	LTR	DESCRIPTION	DATE	DWN	APVD		
G		REVISED PER ECR-15-015951	05NOV2015	T.Z	H.W		



DETAIL A
SCALE 12:1



RECOMMENDED PCB LAYOUT
(THICKNESS=1.2mm, TOLERANCE= ±0.05)

- NOTES:
- △ MATERIALS:
 - △ HOUSING: LCP, UL 94V-0 RATED; COLOR: BLACK
 - CONTACTS: COPPER ALLOY
 - SHIELD: CARBON STEEL (T=0.40mm)
 - Ⓜ KAPTON: LYMIDE TAPE (NO.360AST) COLOR: BROWN (TRANSPARENT)
 - △ FINISH:
 - △ CONTACT: 0.76um MIN GOLD PLATING AND POROSITY SEALING TREATMENT ON CONTACT AREA
 - 3.8um MIN MATTE TIN ON SOLDER TAILS
 - 1.27um MIN NICKEL UNDER PLATING
 - △ CONTACT: 0.05um MIN GOLD PLATING OVER 0.75um MIN Pd-Ni, AND POROSITY SEALING TREATMENT ON CONTACT AREA
 - 3.8um MIN MATTE TIN ON SOLDER TAILS
 - 1.27um MIN NICKEL UNDER PLATING
 - SHIELD: POINT △ IS 3um MIN AND POINT △ IS 2.4um MAX
 - MATTE TIN ALL OVER 1.0um MIN NICKEL
 - INCLUDES FRACTURE SURFACE (EDGE)
 - 3. TINE COPPLANARITY MUST BE UNDER 0.1 MAX

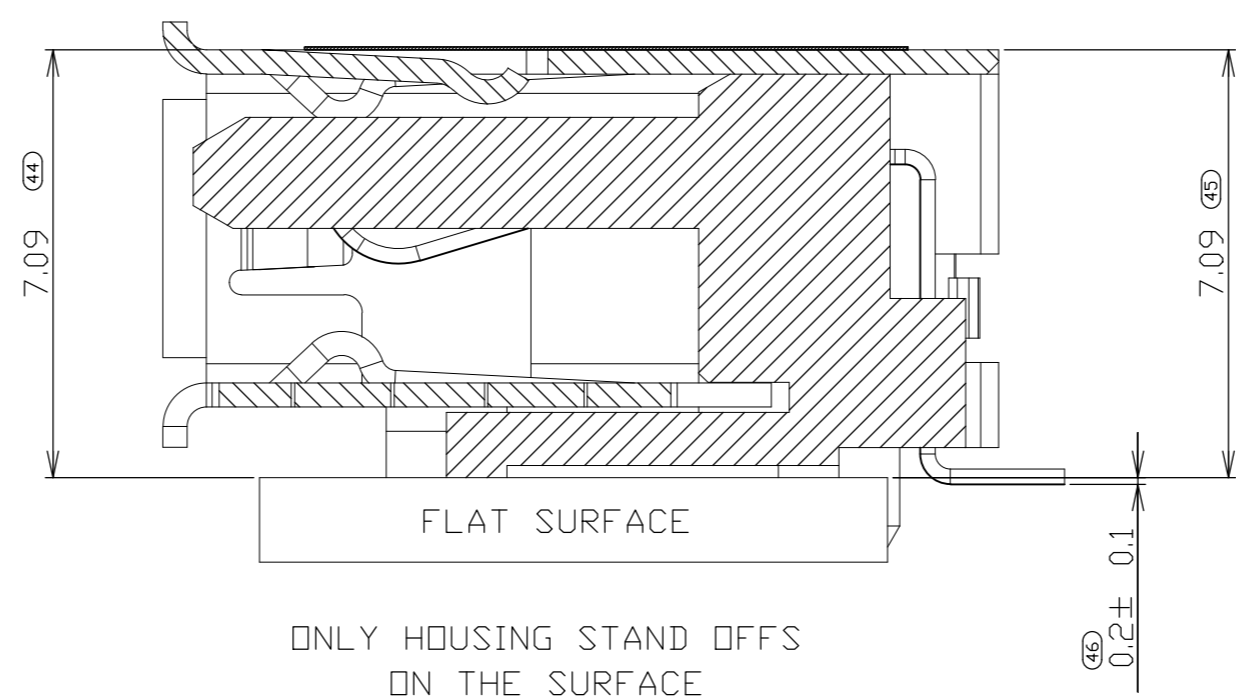
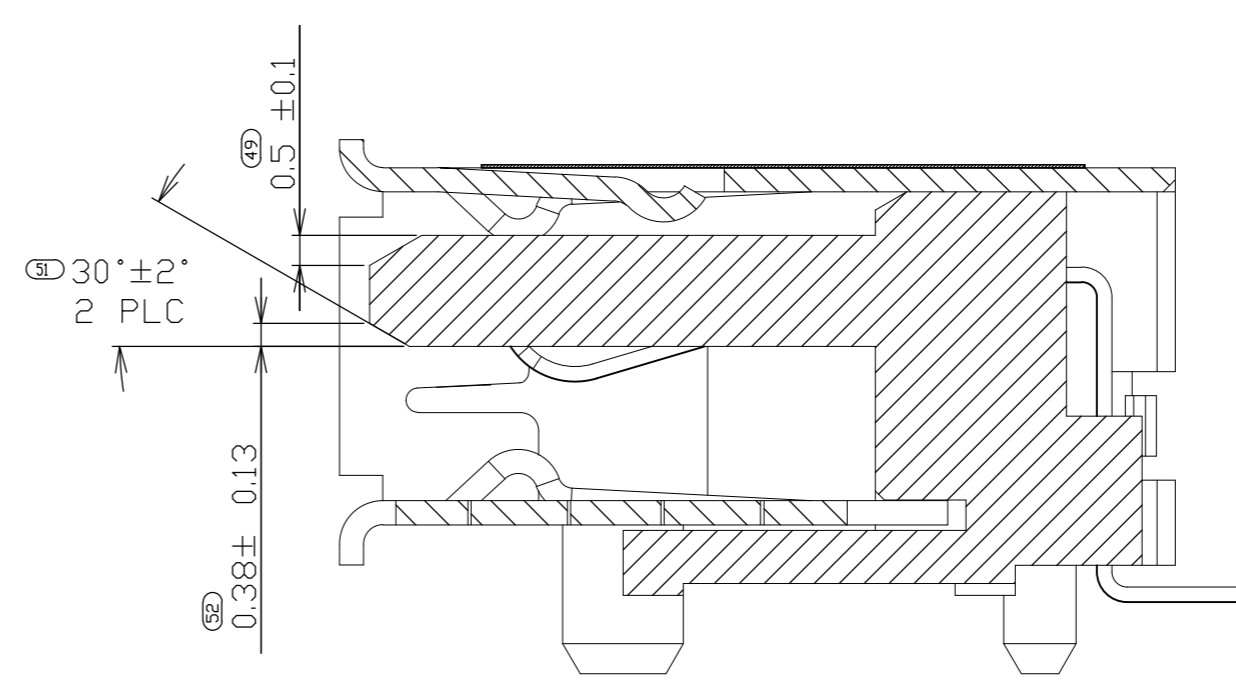
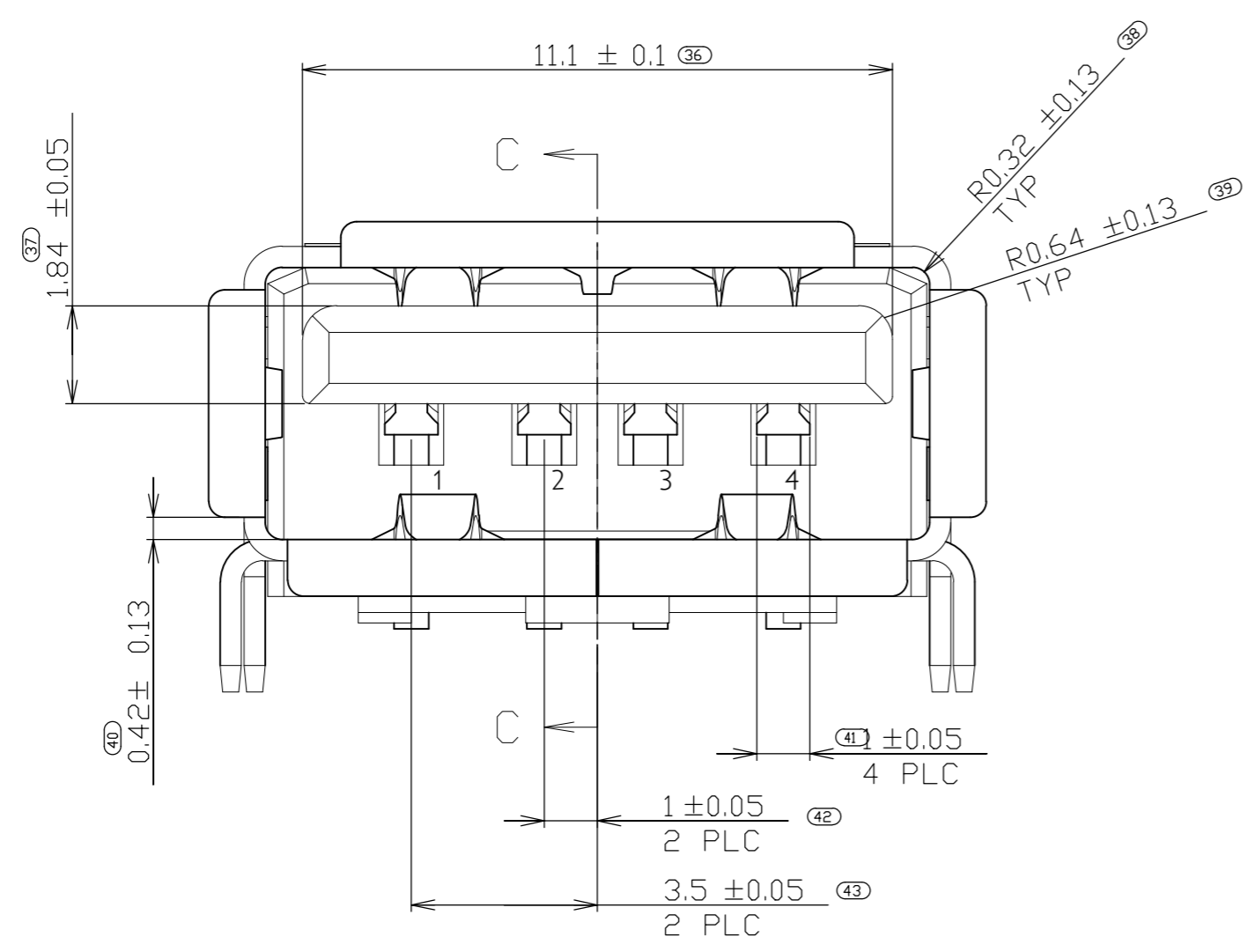
(G1)	(G1)	(G1)	(G1)
△ 1	△	△	1932638-5
-	△	△	1932638-4
-	△	△	1932638-3
KAPTON	CONTACT PLATING	HOUSING MATERIAL	PART NUMBER

THIS DRAWING IS A CONTROLLED DOCUMENT.

DWN	ADAMS LV	21SEP2013					
CHK	MARTIN LI	21SEP2013					
APVD	STEVEN YAO	21SEP2013					
NAME	STEVEN YAO						
PRODUCT SPEC	108-60034		RECERTACLE ASSEMBLY RIGHT ANGLE SMT USB 2.0				
APPLICATION SPEC	-		SIZE	CAGE CODE	DRAWING NO	RESTRICTED TO	
MATERIAL	-		A2	00779	C=1932638	-	
WEIGHT	-		CUSTOMER DRAWING	SCALE	NTS	SHEET	1 of 3
FINISH	-					REV	G1

THIS DRAWING IS UNPUBLISHED. RELEASED FOR PUBLICATION
 © COPYRIGHT - By - ALL RIGHTS RESERVED.

LOC		DIST		REVISIONS			
P	LTR	DESCRIPTION	DATE	DWN	APVD		
-	-	SEE SHEET 1	-	-	-		

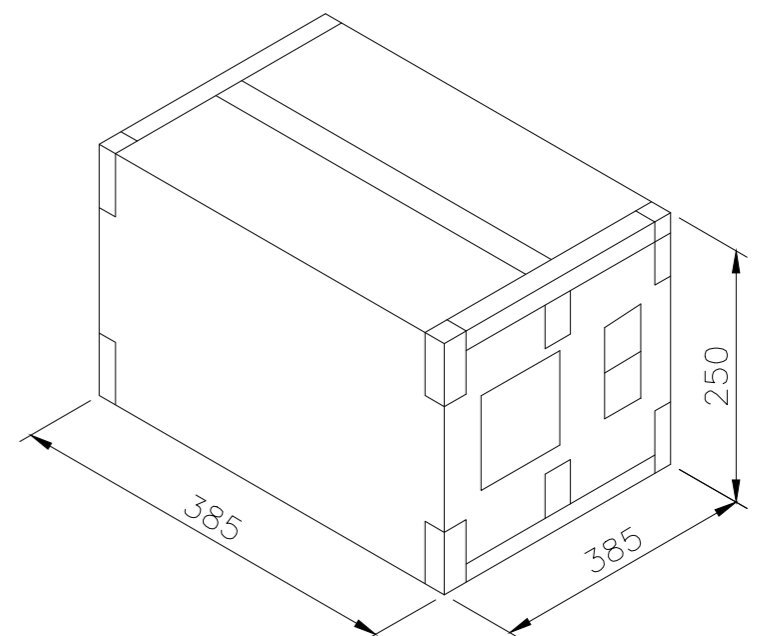
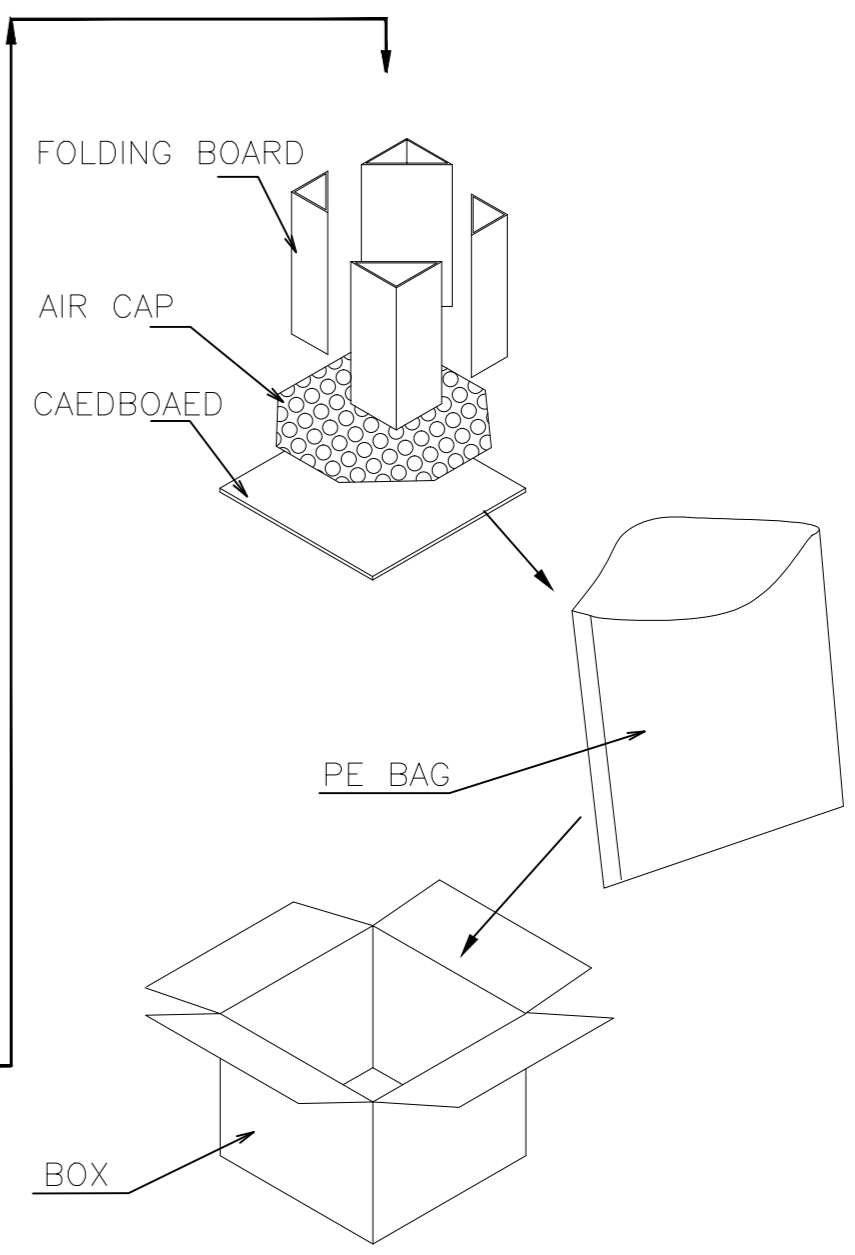
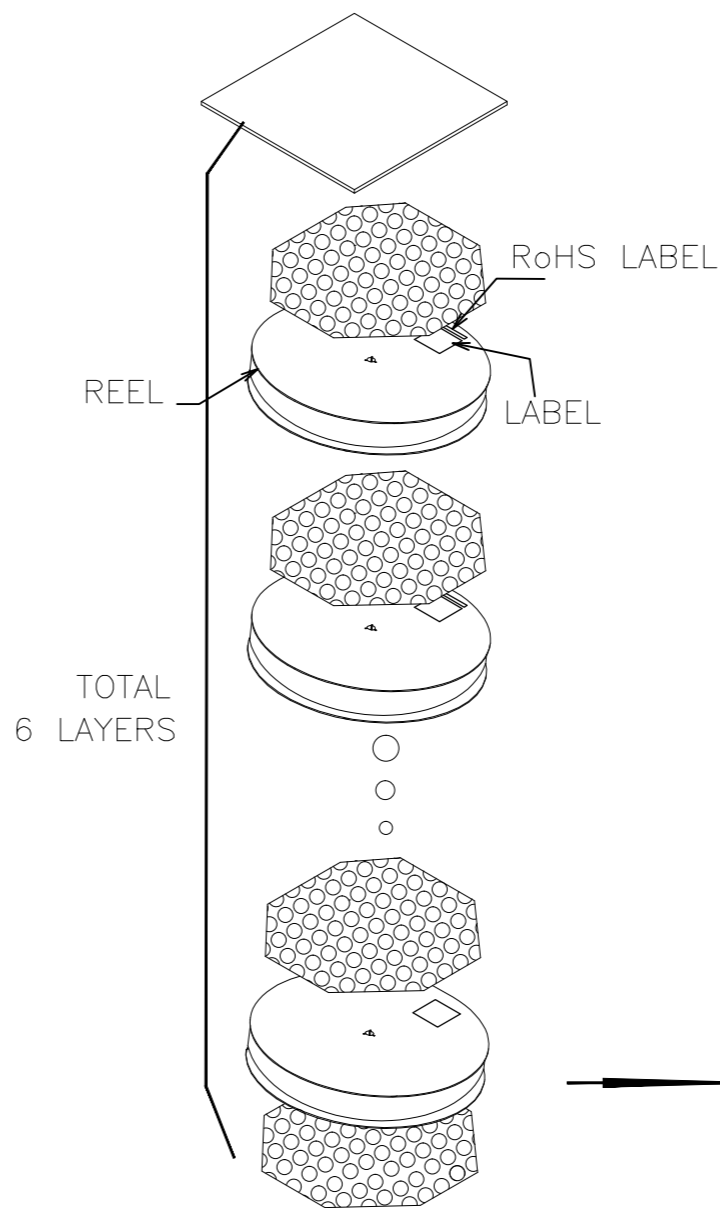
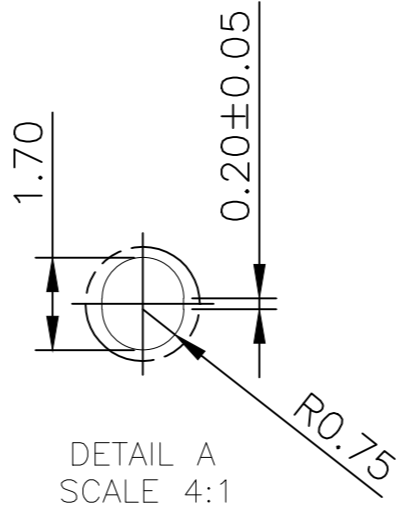
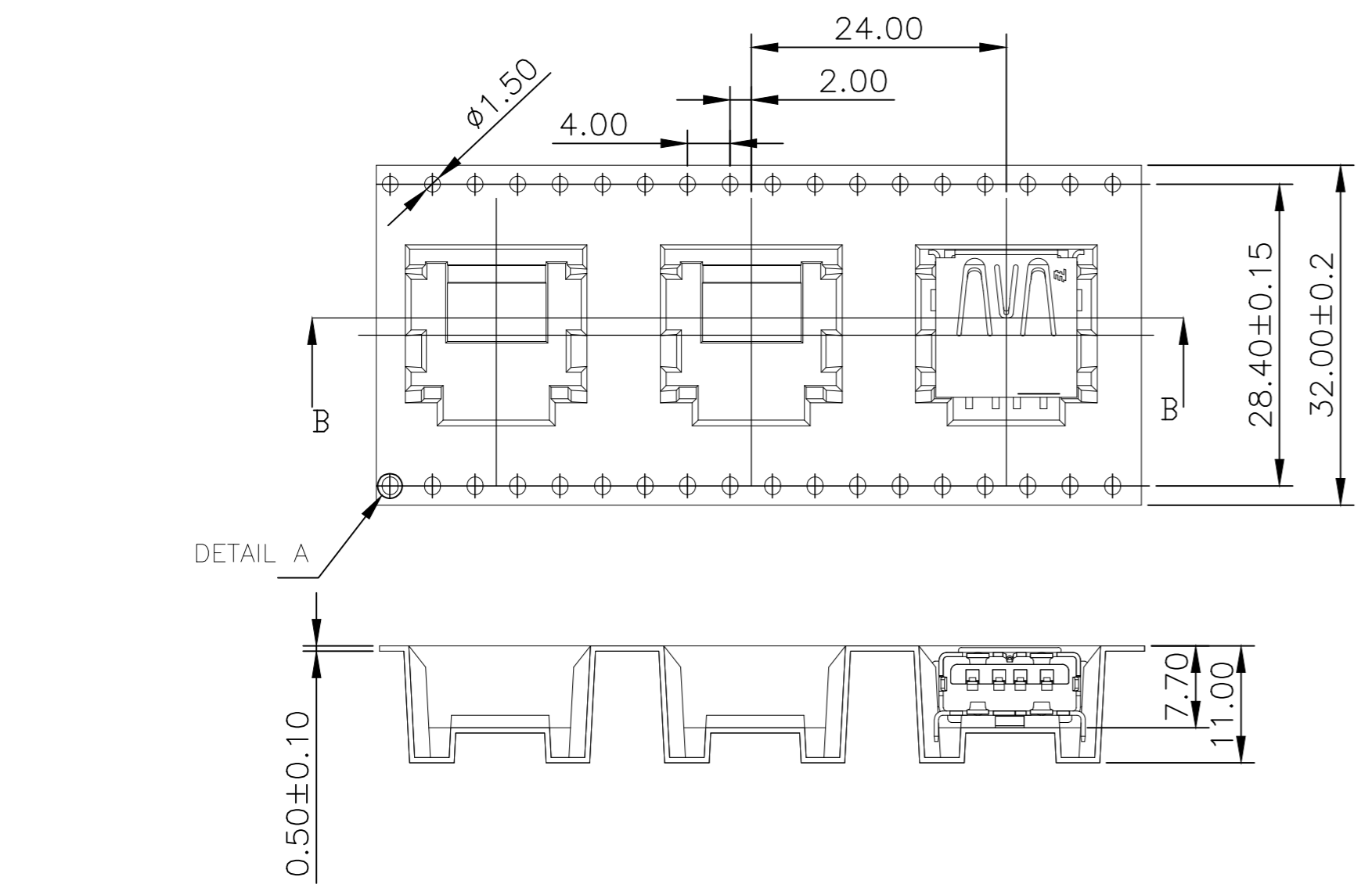
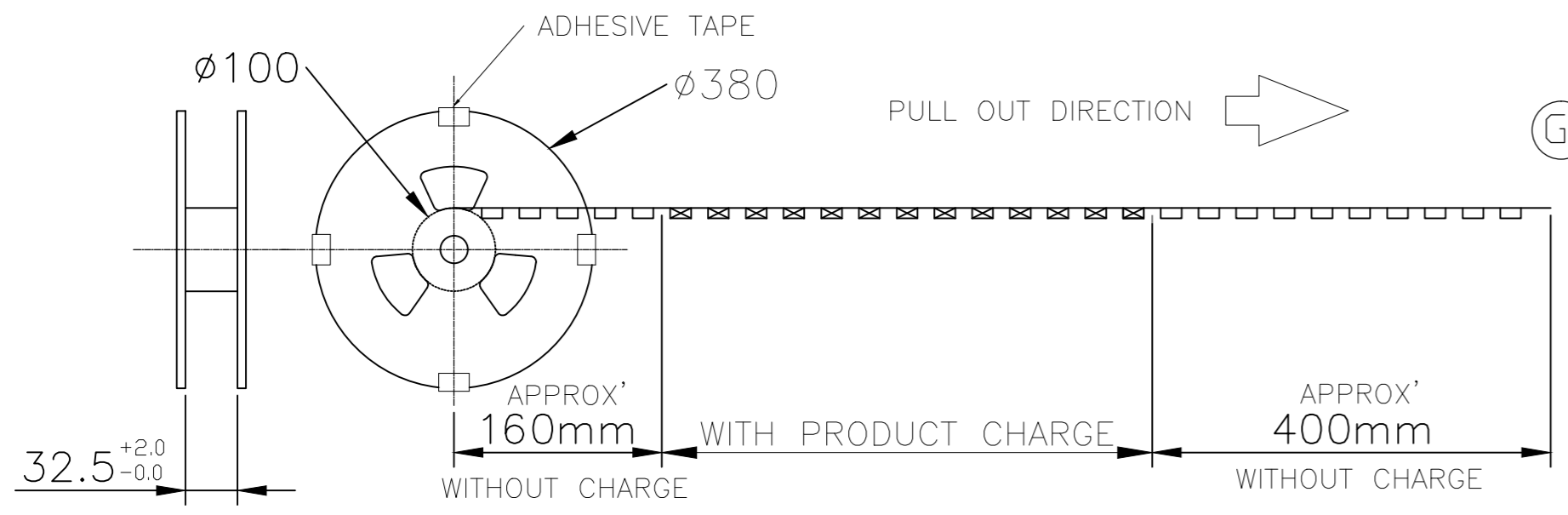


THIS DRAWING IS A CONTROLLED DOCUMENT.		DWN ADAMS LV 21SEP2013	TE Connectivity	
DIMENSIONS: mm		CHK MARTIN LI 21SEP2013		
TOLERANCES UNLESS OTHERWISE SPECIFIED:		APVD STEVEN YAO 21SEP2013	NAME RECEPTACLE ASSEMBLY RIGHT ANGLE SMT USB 2.0	
0 PLC ± 0.25 1 PLC ± 0.20 2 PLC ± 0.20 3 PLC ± 0.15 4 PLC ± 0.15 ANGLES ± 3		PRODUCT SPEC 108-60034	RESTRICTED TO	
MATERIAL		APPLICATION SPEC	SIZE A2	CAGE CODE 00779
FINISH		WEIGHT	DRAWING NO. C-1932638	SCALE NTS
		CUSTOMER DRAWING	SHEET 2 of 3	REV G1

THIS DRAWING IS UNPUBLISHED. RELEASED FOR PUBLICATION
 © COPYRIGHT - By - ALL RIGHTS RESERVED.

LOC		DIST		REVISIONS			
P	LTR	DESCRIPTION	DATE	DWN	APVD		
-	-	-	-	-	-	-	-

FOR 1932638-3/4/5 PACKAGE



8.42KG	4.284KG	350	6	2100
GROSS WEIGHT	NET WEIGHT	PCS/ REEL	REEL/ BOX	PCS/ BOX

DATECODE
 XXXXXXXX
 LINE OF MANUFACTORY
 DAY OF WEEK
 WEEK
 YEAR

- NOTES :
- PACKAGING MATERIAL IN PLASTIC, RUBBER, INK, PIGMENT AND PAINT MUST MEET CONTROLLED SUBSTANCES PER TEC-138-702
 - * CADMIUM AND CADMIUM COMPOUNDS NOT TO EXCEED: 5 PPM.
 - * LEAD, CADMIUM, CHROM VI AND MERCURY NOT TO EXCEED: 100 PPM (COMBINED).
 - * CARRIER TAPES, COVER TAPES, REELS AND TAPED COMPONENTS MUST MEET THE REQUIREMENTS DEFINED PER EIA-481-B.
 - MATERIAL :
 - COVER TAPE : PS, COLOR: TRANSPARENT.
 - CARRIER TAPE : HIPS, COLOR: TRANSPARENT.
 - REEL : PC BLUE
 - SHIPPING BOX: CORRUGATED FIBER

THIS DRAWING IS A CONTROLLED DOCUMENT.		DWN ADAMS LV 21SEP2013	TE Connectivity	
DIMENSIONS: mm		CHK MARTIN LI 21SEP2013	NAME STEVEN YAO	
TOLERANCES UNLESS OTHERWISE SPECIFIED:		APVD STEVEN YAO 21SEP2013	PRODUCT SPEC 108-60034	
0 PLC ± 0.25 1 PLC ± 0.20 2 PLC ± 0.20 3 PLC ± 0.15 4 PLC ± 0.15 ANGLES ± 3		APPLICATION SPEC		SIZE A2
MATERIAL		WEIGHT	CAGE CODE 00779	DRAWING NO C-1932638
		CUSTOMER DRAWING		RESTRICTED TO
		SCALE NTS	SHEET 3 of 3	REV G1