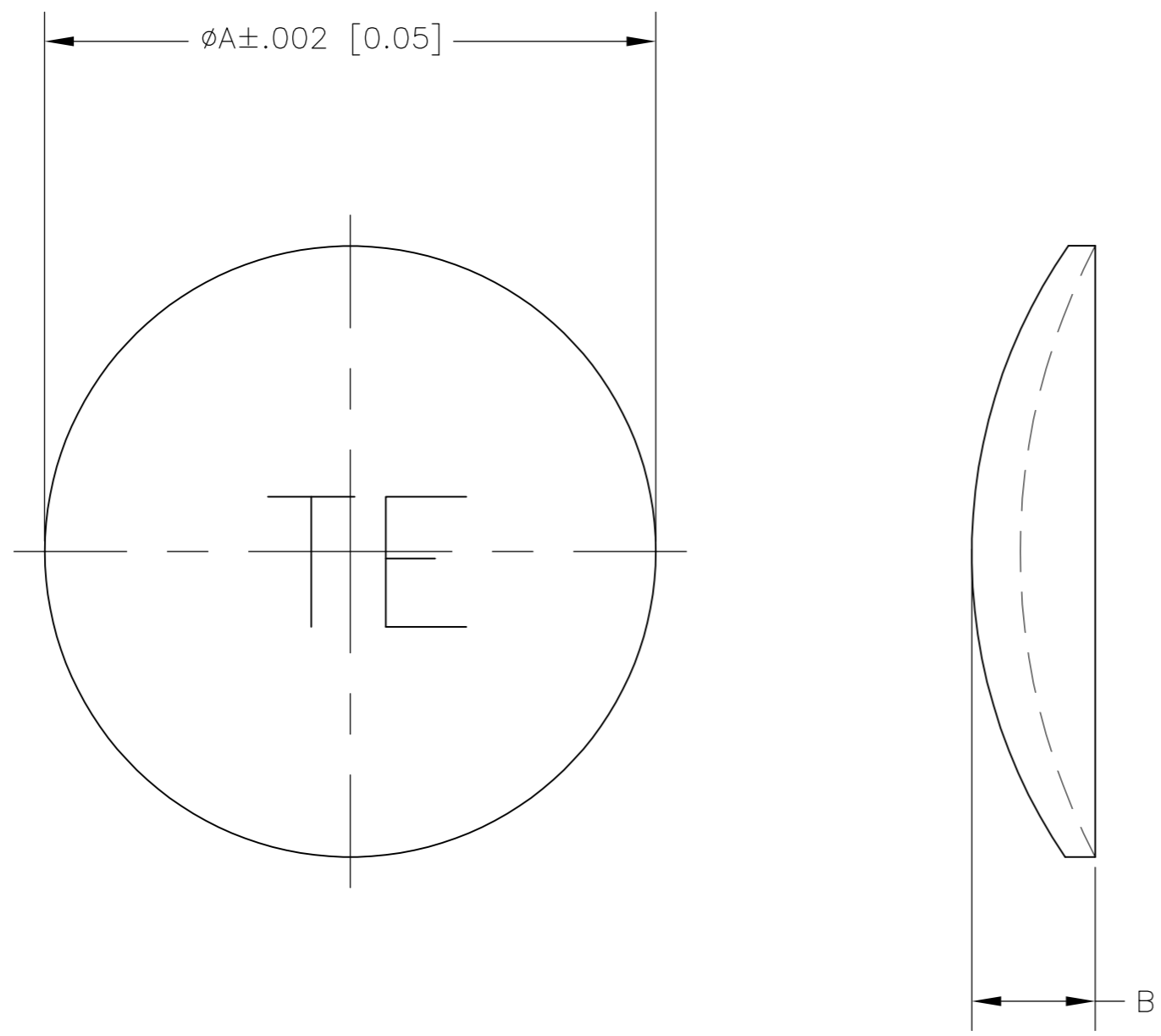


THIS DRAWING IS UNPUBLISHED. RELEASED FOR PUBLICATION
 © COPYRIGHT - By - ALL RIGHTS RESERVED.

LOC		DIST		REVISIONS			
P	LTR	DESCRIPTION		DATE	DWN	APVD	
	L	REVISED PER ECO-12-014729		09JUN13	AM	MY	



- ① STAINLESS STEEL.
- ② BRASS.
- ③ GOLD PLATE.
- ④ WHITE BRONZE PLATE.
- ⑤ NICKEL PLATE.
- ⑥ TIN-LEAD PLATE.
- ⑦ TIN PLATE.
- ⑧ PASSIVATE.

MAX	MIN	ϕA	FINISH	MATERIAL	PART NUMBER
.040 [1.02]	.034 [0.86]	.167 [4.24]	⑦	②	9-1403081-0
.046 [1.17]	.034 [0.86]	.156 [3.96]	③	②	4-1403081-2
.040 [1.02]	.032 [0.81]	.188 [4.78]	⑤	②	4-1403081-1
.040 [1.02]	.032 [0.81]	.188 [4.78]	③	②	4-1403081-0
.040 [1.02]	.032 [0.81]	.188 [4.78]	⑤	②	3-1403081-9
.046 [1.17]	.034 [0.86]	.156 [3.96]	③	②	3-1403081-7
.040 [1.02]	.034 [0.86]	.167 [4.24]	③	②	3-1403081-6
.040 [1.02]	.034 [0.86]	.167 [4.24]	⑥	②	3-1403081-4
.040 [1.02]	.034 [0.86]	.167 [4.24]	⑤	②	3-1403081-3
.040 [1.02]	.034 [0.86]	.167 [4.24]	③	②	3-1403081-2
.037 [0.94]	.030 [0.76]	.136 [3.45]	③	②	3-1403081-0
.036 [0.91]	.029 [0.74]	.141 [3.58]	③	②	2-1403081-8
.043 [1.09]	.037 [0.94]	.199 [5.05]	③	②	2-1403081-7
.043 [1.09]	.037 [0.94]	.199 [5.05]	③	②	2-1403081-5
.046 [1.17]	.034 [0.86]	.156 [3.96]	③	①	2-1403081-3
.046 [1.17]	.034 [0.86]	.156 [3.96]	⑤	①	2-1403081-2
.046 [1.17]	.034 [0.86]	.156 [3.96]	⑧	①	2-1403081-1
.046 [1.17]	.034 [0.86]	.156 [3.96]	③	①	2-1403081-0
.040 [1.02]	.032 [0.81]	.188 [4.78]	④	②	1-1403081-8
.040 [1.02]	.032 [0.81]	.188 [4.78]	③	②	1-1403081-7
.046 [1.17]	.035 [0.89]	.138 [3.51]	③	②	1-1403081-5
.038 [0.97]	.031 [0.79]	.219 [5.56]	④	②	1-1403081-3
.038 [0.97]	.031 [0.79]	.219 [5.56]	③	②	1-1403081-2
.024 [0.61]	.017 [0.43]	.098 [2.49]	③	①	1-1403081-0
.028 [0.71]	.021 [0.53]	.126 [3.20]	③	①	1403081-8
.028 [0.71]	.021 [0.53]	.126 [3.20]	③	①	1403081-7
.028 [0.71]	.021 [0.53]	.126 [3.20]	⑧	①	1403081-6
.028 [0.71]	.021 [0.53]	.126 [3.20]	③	①	1403081-5
.040 [1.02]	.032 [0.81]	.188 [4.78]	③	①	1403081-3
.040 [1.02]	.032 [0.81]	.188 [4.78]	⑧	①	1403081-2
.040 [1.02]	.032 [0.81]	.188 [4.78]	③	①	1403081-1

THIS DRAWING IS A CONTROLLED DOCUMENT.

DWN	D.WALLACE	4/14/2008
CHK	J.LIPPERT	4/14/2008
APVD	J.LIPPERT	4/14/2008

TE Connectivity

NAME: CAP (2000-24)

SIZE	A2	CAGE CODE	00779	DRAWING NO	C=1403081	RESTRICTED TO	-
SCALE	20:1	SHEET	1 of 1	REV	L		

CUSTOMER DRAWING