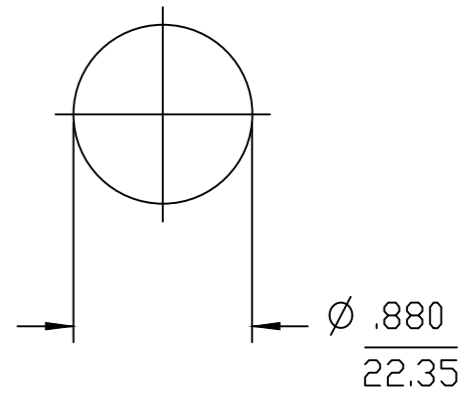


| MATERIAL NO. | ENGINEERING NO. | FINISHED LENGTH |
|--------------|-----------------|-----------------|
| 1300660237   | CR4000A30M750   | 75 METERS       |
| 1300660165   | CR4000A30M070   | 7 METERS        |
| 1300660164   | CR4000A30M060   | 6 METERS        |
| 1300660163   | CR4000A30M050   | 5 METERS        |
| 1300660162   | CR4000A30M030   | 3 METERS        |
| 1300660160   | CR4000A30M020   | 2 METERS        |
| 1300660159   | CR4000A30M017   | 1.7 METERS      |
| 1300660158   | CR4000A30M016   | 1.6 METERS      |
| 1300660157   | CR4000A30M013   | 1.3 METERS      |
| 1300660156   | CR4000A30M011   | 1.1 METERS      |
| 1300660154   | CR4000A30M010   | 1 METERS        |
| 1300660153   | CR4000A30M009   | 0.9 METERS      |
| 1300660152   | CR4000A30M005   | 0.5 METERS      |
| 1300660150   | CR4000A30M003   | 0.3 METERS      |
| 1300660149   | CR4000A30A120   | 12 INCHES       |
| 1300662008   | CR4000A30M040   | 4 METERS        |

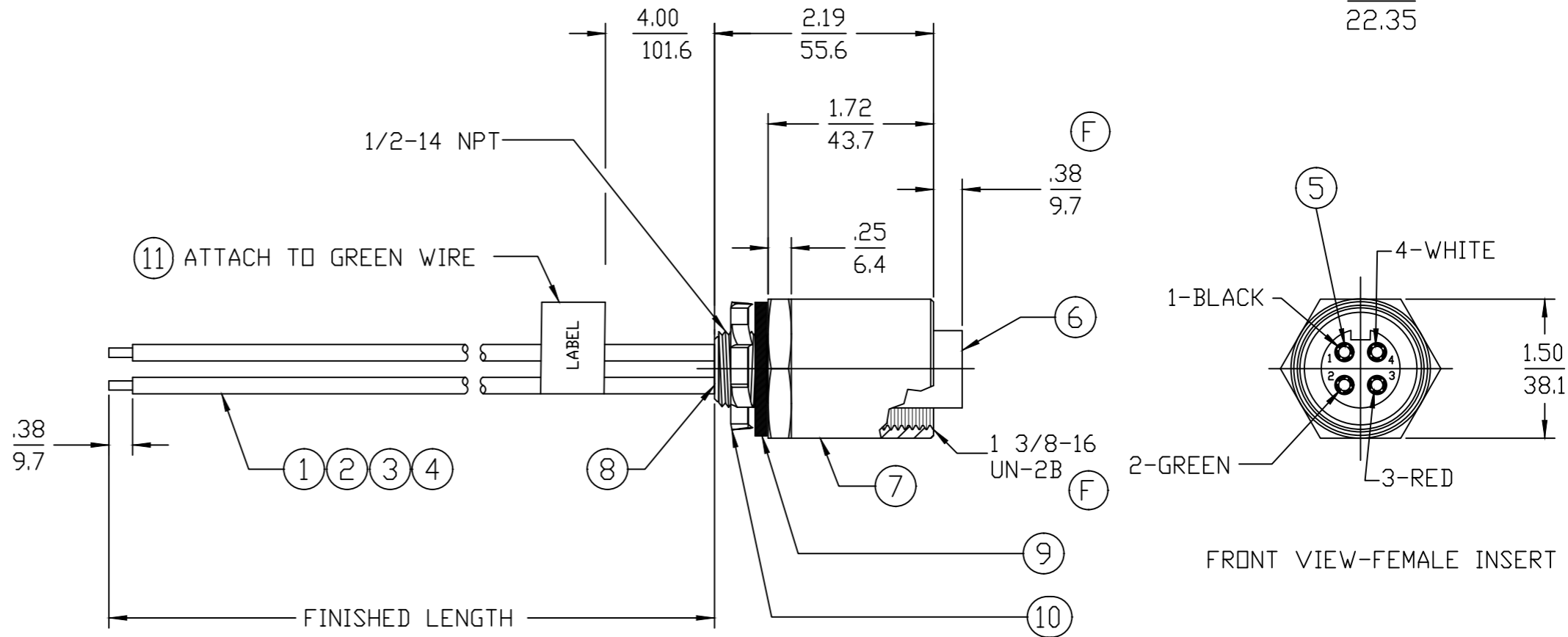
**CABLE LENGTH TOLERANCES**  
 <.3M [1FT]: +19mm-0 [+1.75in-0]  
 .3 - <.9M [1 - <3FT]: +44.5mm-0 [+1.75in-0]  
 .9 - <1.8M [3 - <6FT]: +55.6mm-0 [+2.19in-0]  
 1.8 - <3.7M [6 - <12FT]: +88.9mm-0 [+3.50in-0]  
 3.7 - <7.3M [12 - <24FT]: +165.1mm-0 [+6.50in-0]  
 7.3 - <14.6M [24 - <48FT]: +317.5mm-0 [+12.50in-0]  
 14.6 - <30.5M [48 - <100FT]: +622.3mm-0 [+24.50in-0]  
 OVER 30M [100FT] +2% OF FINISHED LENGTH

KNOCKOUT HOLE



**NOTES:**

- MATERIAL: AS NOTED
- FINISHES: AS NOTED
- ELECTRICAL SPECIFICATIONS  
 VOLTAGE RATING: 500V PER IEC60664  
 600V PER UL2237  
 CURRENT RATING: 32 AMPS
- PROTECTION: IP67 (WHEN MATED)
- TEMP RANGE: -20°C TO +90°C
- AGENCY LISTING: E258922, PVVA
- ALL DIMS ARE FOR REFERENCE  
 UNLESS NOTED OTHERWISE



| ITEM | DESCRIPTION           | MATERIAL       | FINISH      |
|------|-----------------------|----------------|-------------|
| 11   | FLAG LABEL            | VINYL          | YELLOW      |
| 10   | LOCK NUT              | STEEL          | ZINC PLATED |
| 9    | GASKET                | NEOPRENE       | BLACK       |
| 8    | POTTING               | EPOXY          | BLACK       |
| 7    | RECEPTACLE SHELL      | ALUMINUM ALLOY | ANODIZED    |
| 6    | FEMALE INSERT         | TPE            | BLACK       |
| 5    | SOCKET CONTACT        | COPPER         | GOLD PLATED |
| 4    | #10-1 AWG UL1015 WIRE | PVC JACKET     | RED         |
| 3    | #10-1 AWG UL1015 WIRE | PVC JACKET     | GREEN       |
| 2    | #10-1 AWG UL1015 WIRE | PVC JACKET     | WHITE       |
| 1    | #10-1 AWG UL1015 WIRE | PVC JACKET     | BLACK       |

**PART NO. LEGEND**  
 CR4000A30M005  
 WIRE TYPE: 10 AWG PVC  
 FINISHED LENGTH  
 M005= 0.5 METER  
 M010= 1 METER  
 M100= 10 METERS  
 A120= 12 INCHES

|  |                                       |   |   |
|--|---------------------------------------|---|---|
| FUNCTIONAL SYMBOLS                                   |                                       | THIS DRAWING CONTAINS INFORMATION THAT IS PROPRIETARY TO MOLEX ELECTRONIC TECHNOLOGIES, LLC AND SHOULD NOT BE USED WITHOUT WRITTEN PERMISSION |   |
| ▽=0  | DIMENSION UNITS                       | SCALE   | CURRENT REV DESC: UPDATED BORDER, CORRECTED INSERT HEIGHT, CORRECTED CABLE LENGTH CHART, ADDED INT. THREAD CUTOUT |
| ▽=0  | INCH/MM                               | 1:1   |   |
| ▽=0  | GENERAL TOLERANCES (UNLESS SPECIFIED) |   |   |
| DIVISIONAL SYMBOLS                                   | mm                                    | INCH  |   |
| 4 PLACES   | ±---                                  | ±---  | EC NO: 736452   |
| 3 PLACES   | ±---                                  | ±---  | DRWN: SAMB12 2023/01/24   |
| 2 PLACES   | ±---                                  | ±---  | CHK'D: RSTONE 2023/02/02  |
| 1 PLACE  | ±---                                  | ±---  | APPR: BWOODMAN 2023/02/06   |
| 0 PLACES   | ±---                                  | ±---  | INITIAL REVISION:   |
| ANGULAR TOL ± --- °                                  | DRWN: MODELL 2009/02/23               |   |   |
| DRAFT WHERE APPLICABLE MUST REMAIN WITHIN DIMENSIONS | APPR: RDEROSS 2009/02/25              |   |   |
| THIRD ANGLE PROJECTION                               | DRAWING                               | SERIES  | DOCUMENT NUMBER   |
| ⊕  | B-SIZE                                | 130066  | SD-130066-025   |
|  |                                       |   | DOC TYPE/DOC PART/REVISION  |
|  |                                       |   | PSD 001 F   |
|  |                                       |   | MATERIAL NUMBER   |
|  |                                       |   | GENERAL MARKET  |
|  |                                       |   | SHEET NUMBER  |
|  |                                       |   | 1 OF 1  |