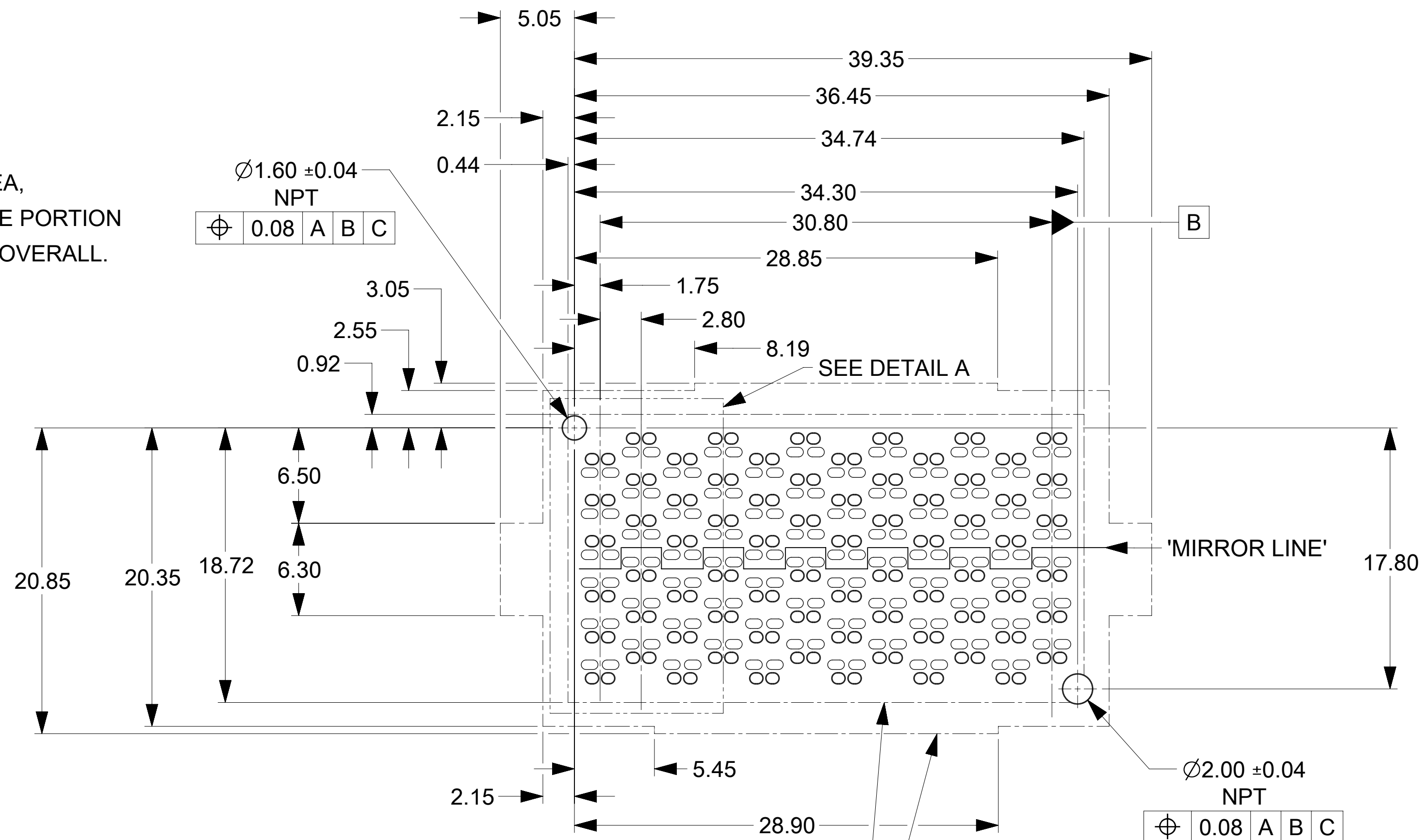
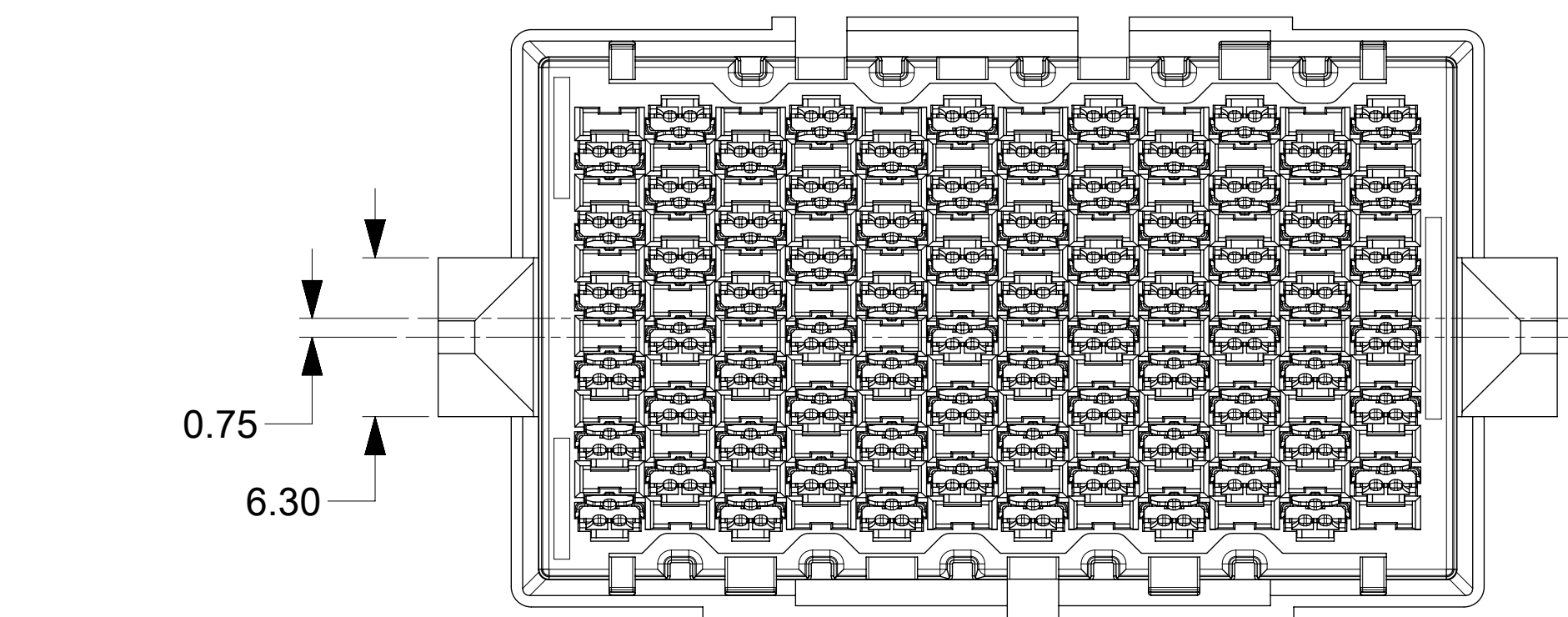
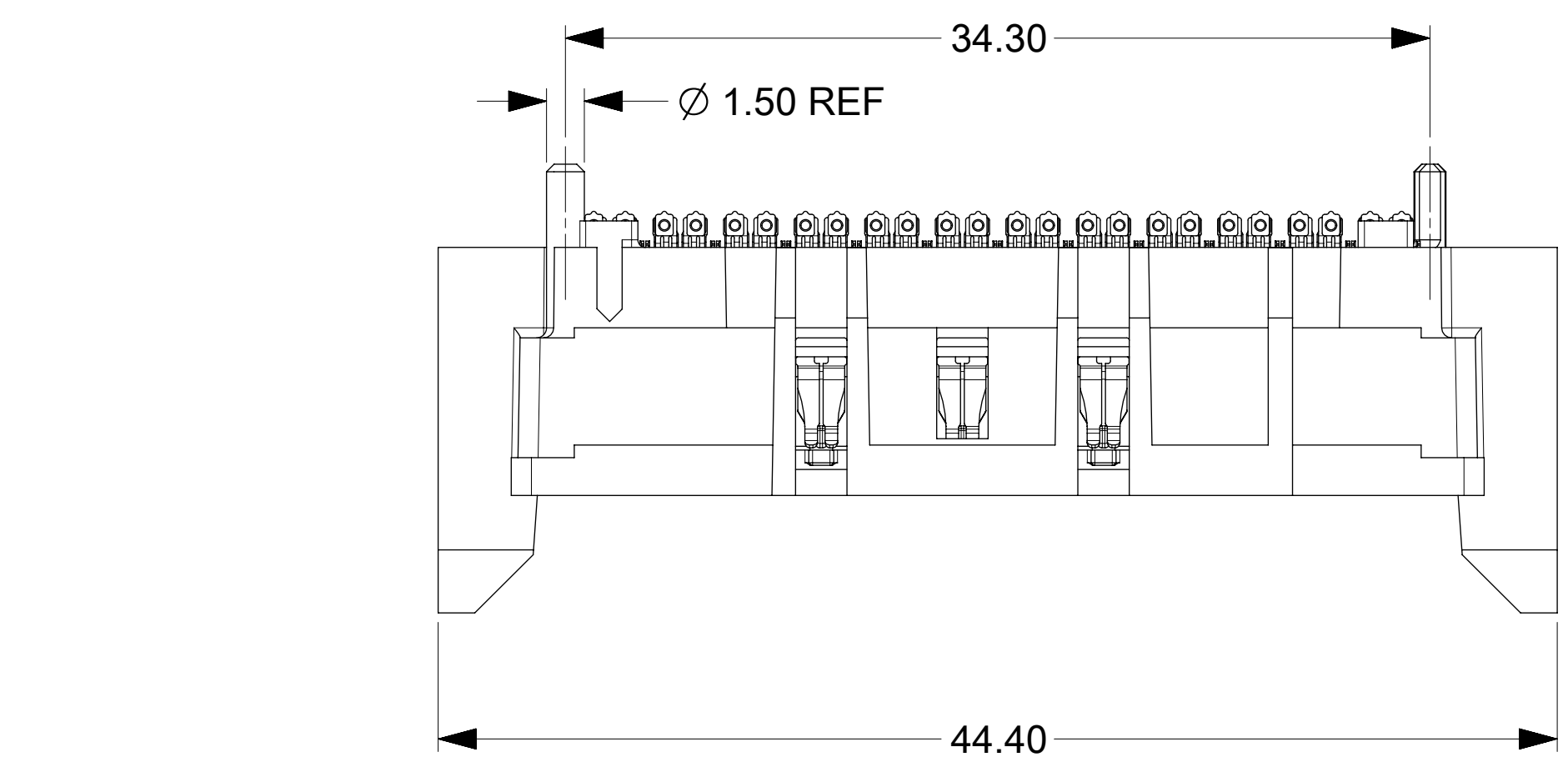
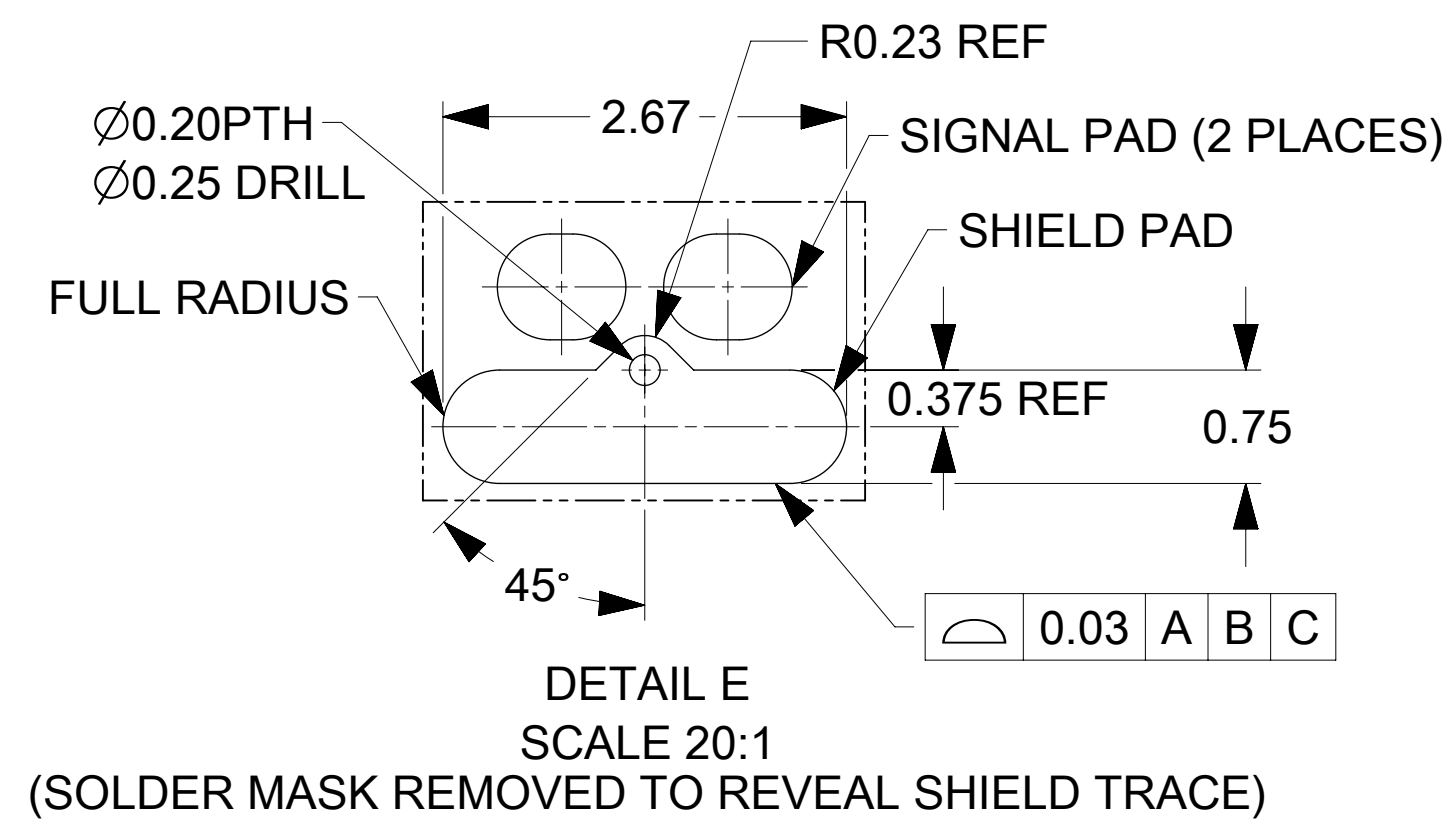


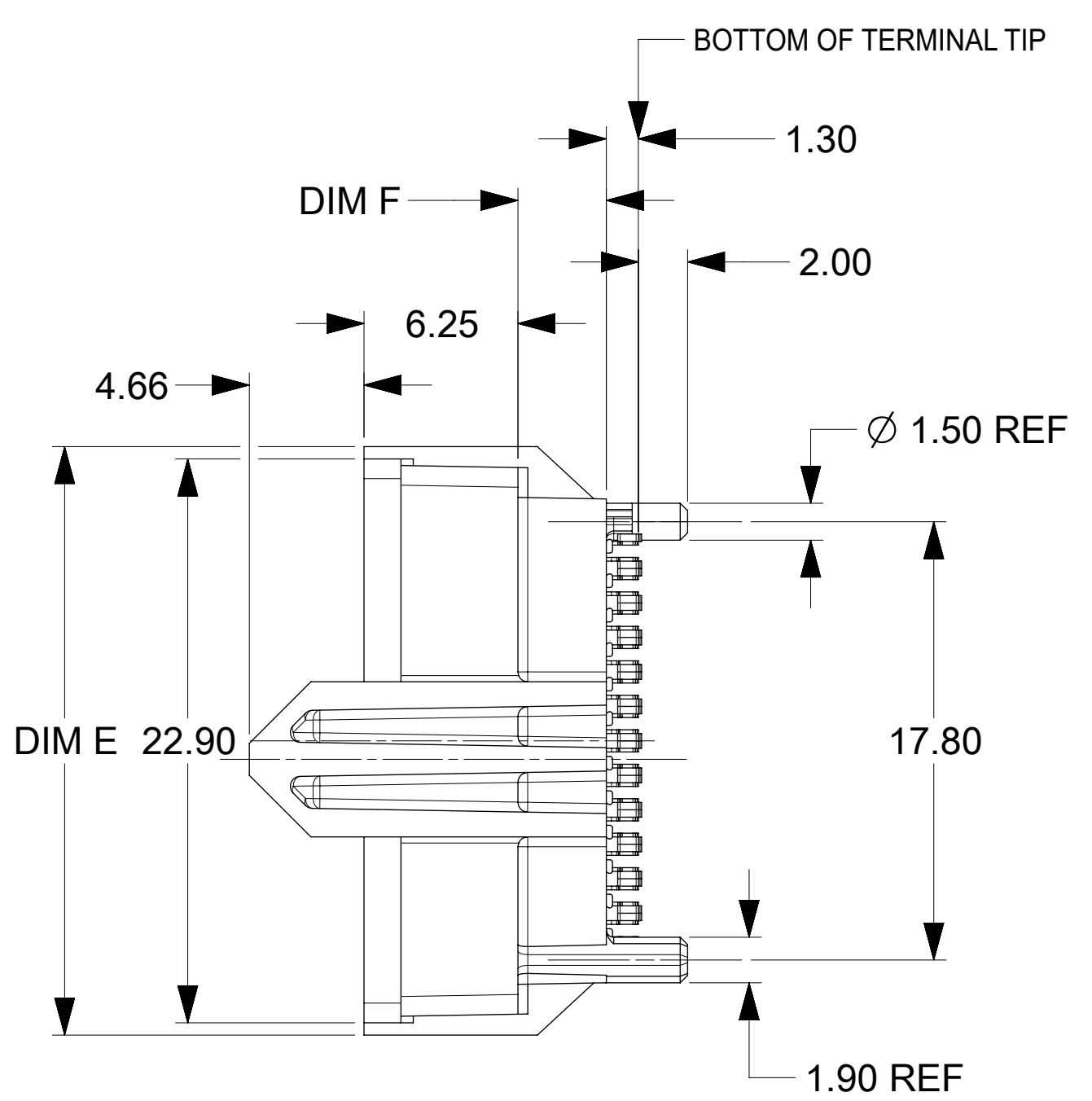
NOTES:

- HOUSING MATERIAL: LCP, GLASS FILLED, UL 94V-0, BLACK
CONTACT MATERIAL: HIGH PERFORMANCE COPPER ALLOY
SOLDER CHARGE: LEAD FREE SOLDER ALLOY
- FINISH:
CONTACTS: SELECT GOLD: 30 μINCHES MIN ON CONTACT AREA,
SELECTIVE TIN: 100 μINCHES MIN ON SOLDERABLE PORTION
OF SOLDER TAILS; OVER 50 μINCHES MIN NICKEL OVERALL.
- PRODUCT SPECIFICATION: PS-170807-0001
- PACKAGING SPECIFICATION: PK-170814-002
- APPLICATION SPECIFICATION: AS-170807-0001

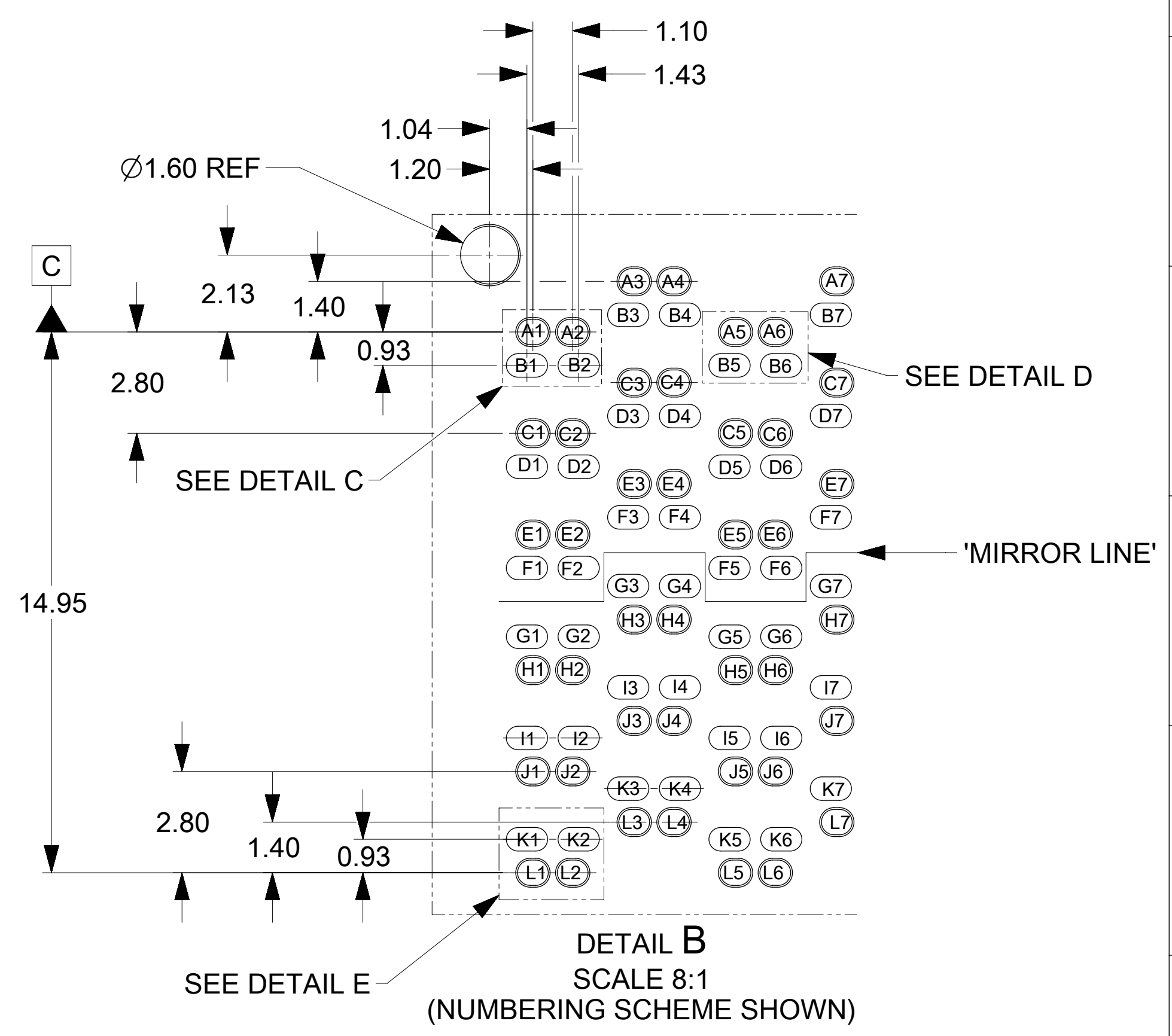
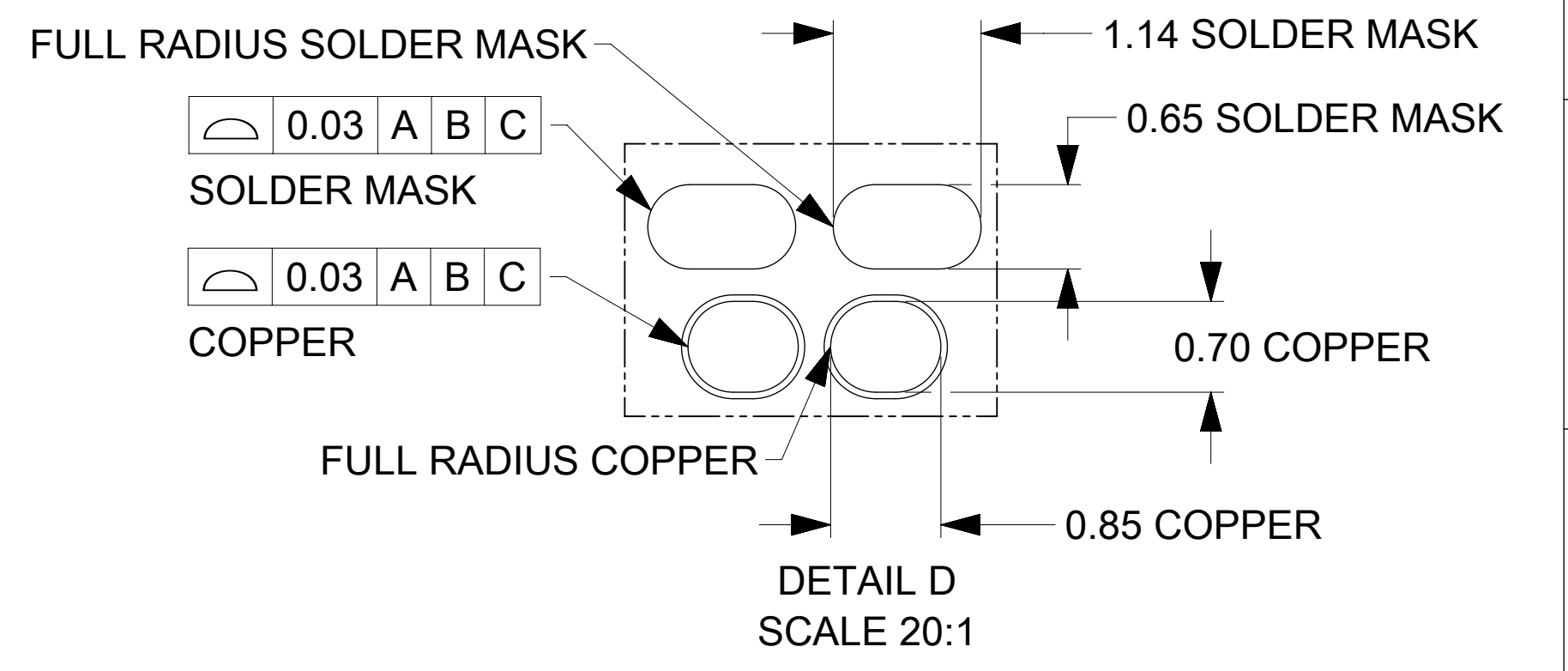
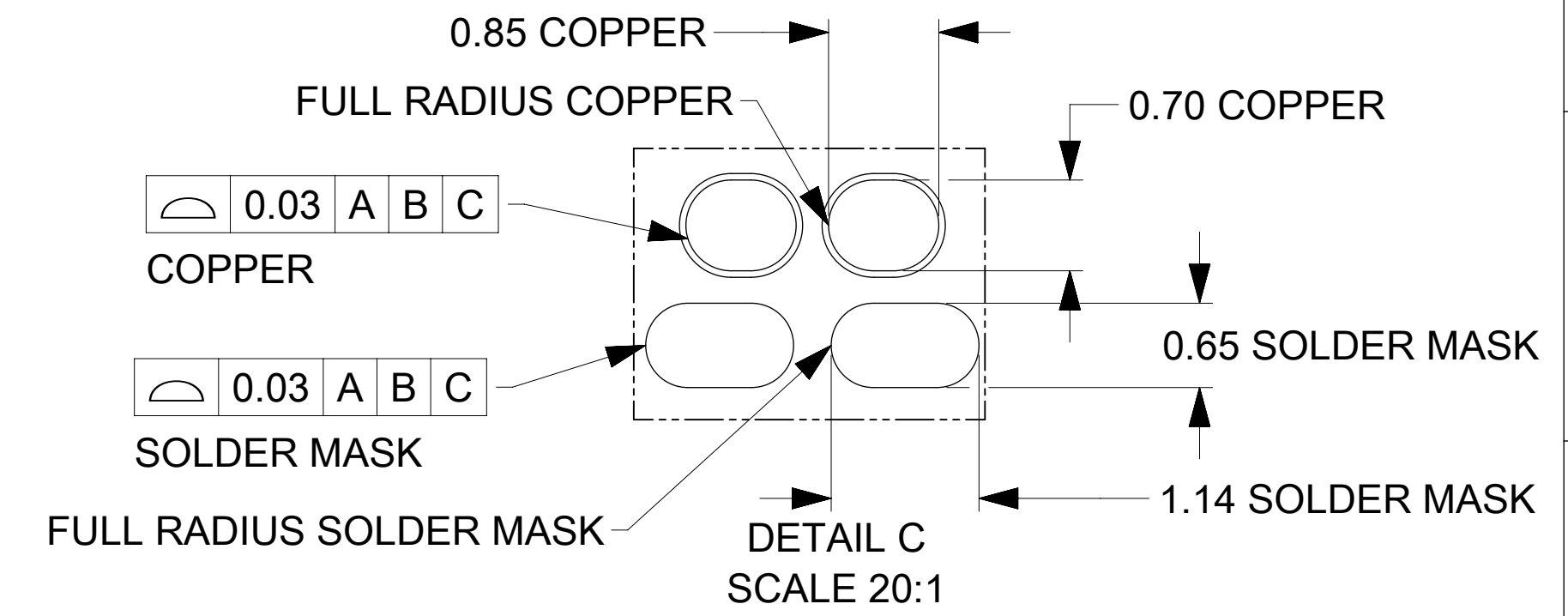


CONNECTOR OUTLINE AT BOARD LEVEL
CONNECTOR OUTLINE (MAXIMUM SIZE)
FOOT PRINT
(SCALE 4:1)

- FOOT PRINT NOTES:
- DATUM -A- IS THE TOP OF THE PCB.
 - ALL DIMENSIONS ARE BASICS.
 - SEE APPLICATION SPECIFICATION FOR ADDITIONAL INFORMATION.

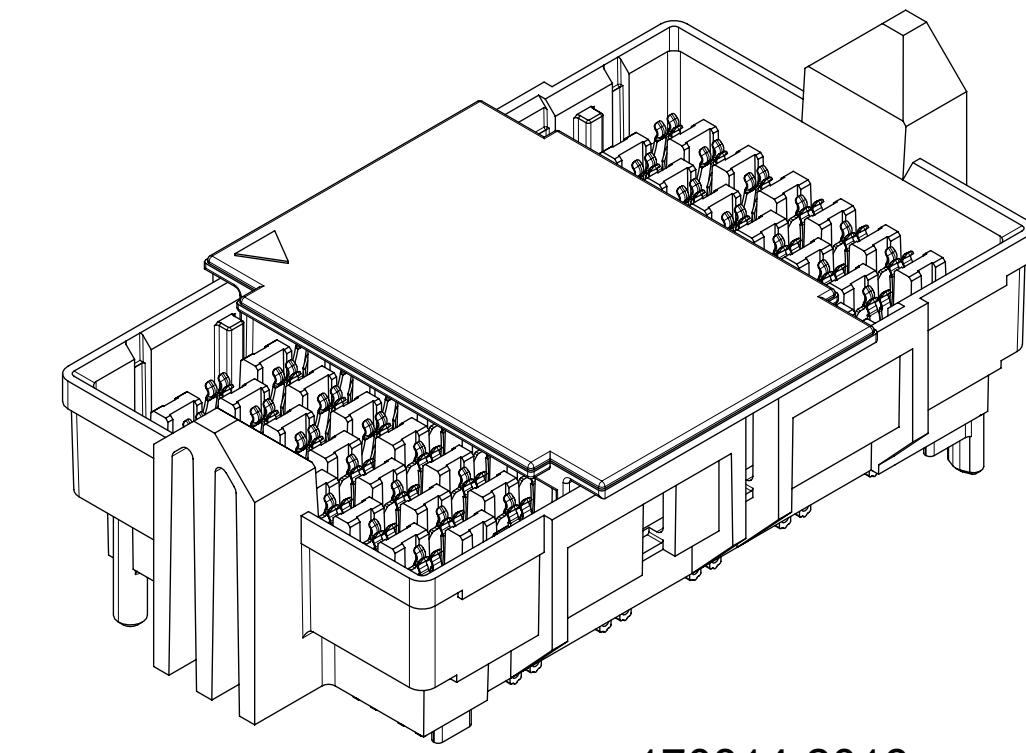
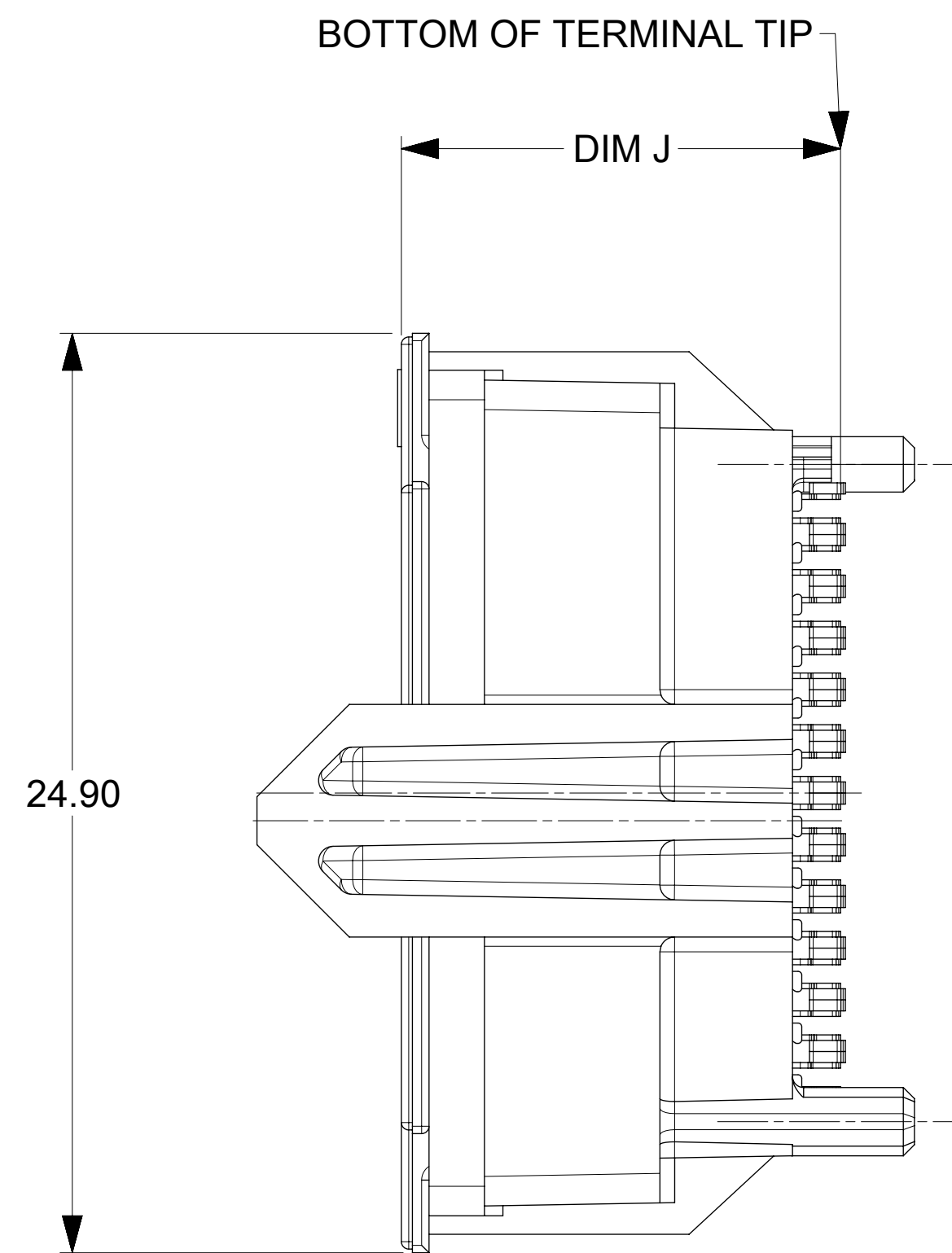
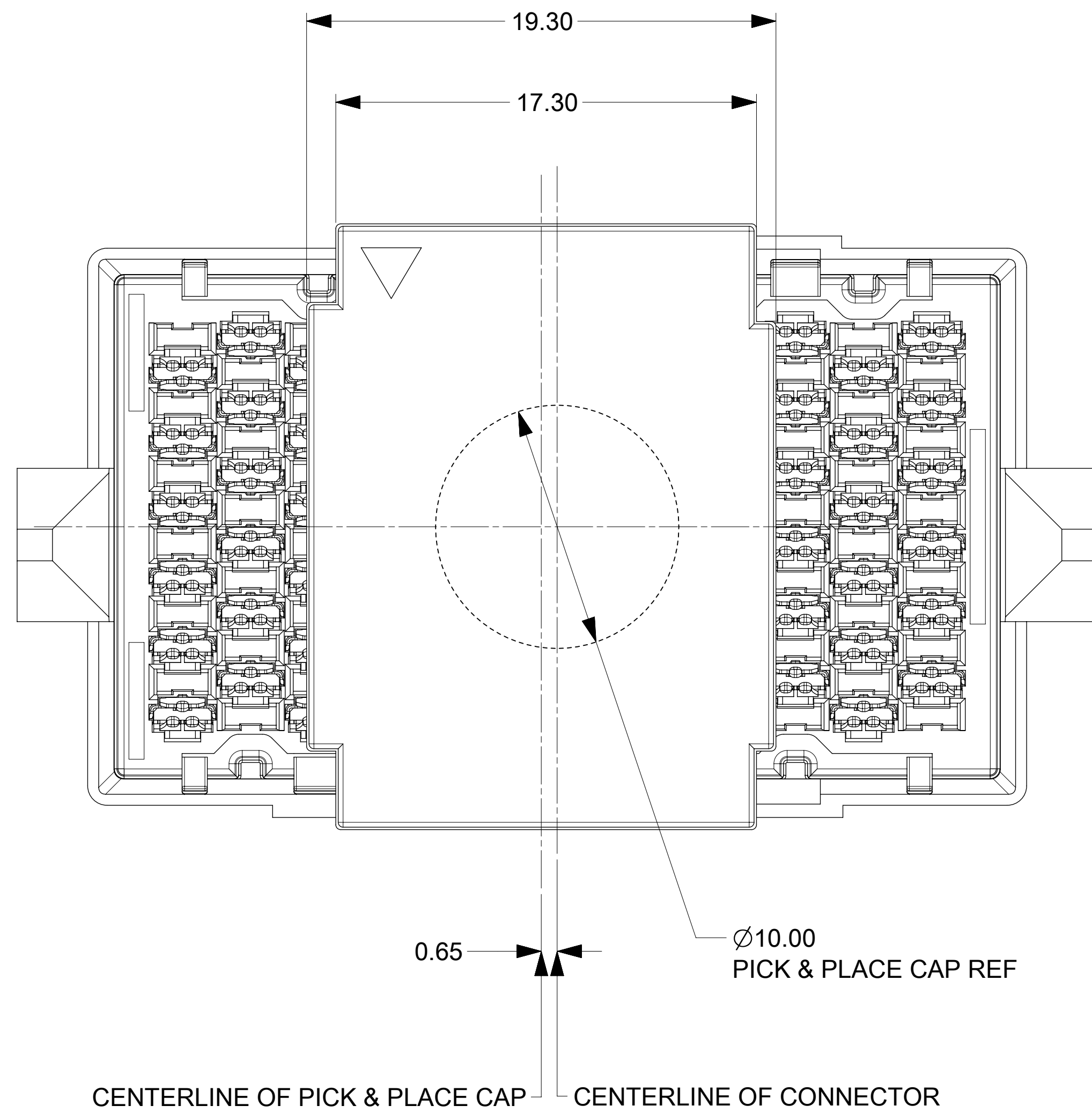


PART ILLUSTRATED IS 170814-2016

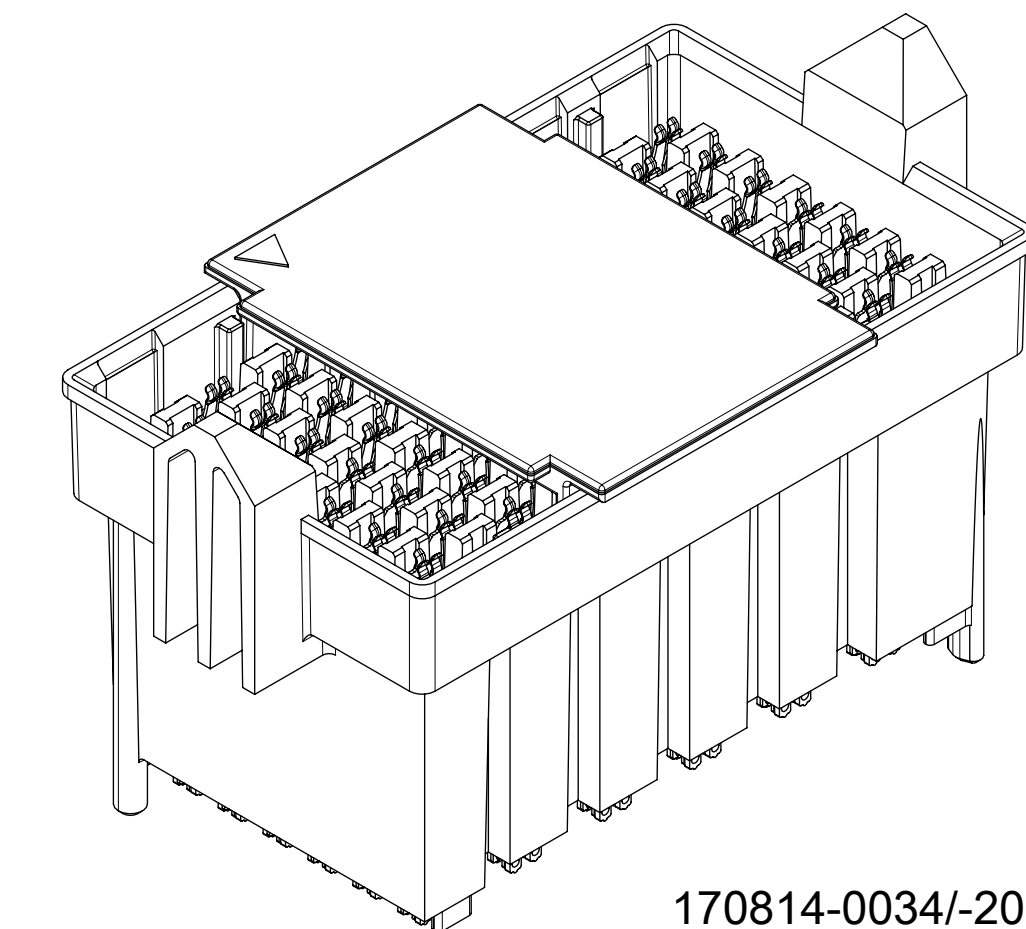


FUNCTIONAL SYMBOLS		THIS DRAWING CONTAINS INFORMATION THAT IS PROPRIETARY TO MOLEX ELECTRONIC TECHNOLOGIES, LLC AND SHOULD NOT BE USED WITHOUT WRITTEN PERMISSION	
FA = 0	mm	SCALE	NTS
FC = 0	GENERAL TOLERANCES (UNLESS SPECIFIED)		
FD = 0	ANGULAR TOL ± 0.5°		
DIVISIONAL SYMBOLS	4 PLACES	±	
	3 PLACES	±	
	2 PLACES	±	0.15
	1 PLACE	±	
	0 PLACES	±	
DRAFT WHERE APPLICABLE MUST REMAIN WITHIN DIMENSIONS		THIRD ANGLE PROJECTION	DRAWING SERIES
		D-SIZE	170814
		MATERIAL NUMBER	1708072032
		CUSTOMER	GENERAL MARKET
		SHEET NUMBER	1 OF 2
CURRENT REV DESC: REMASTERED TO NX.		EC NO: 667773	
		DRWN: JESSIECHUA 2021/06/22	
		CHK'D: HCGOH 2021/07/15	
		APPR: SHONG 2021/07/19	
		INITIAL REVISION:	
		DRWN: HCGOH 2013/12/30	
		APPR: SHONG 2014/01/27	
DOCUMENT STATUS		DOC TYPE	DOC PART
P1	RELEASE DATE	PSD	001
2021/07/19 00:44:13		A3	

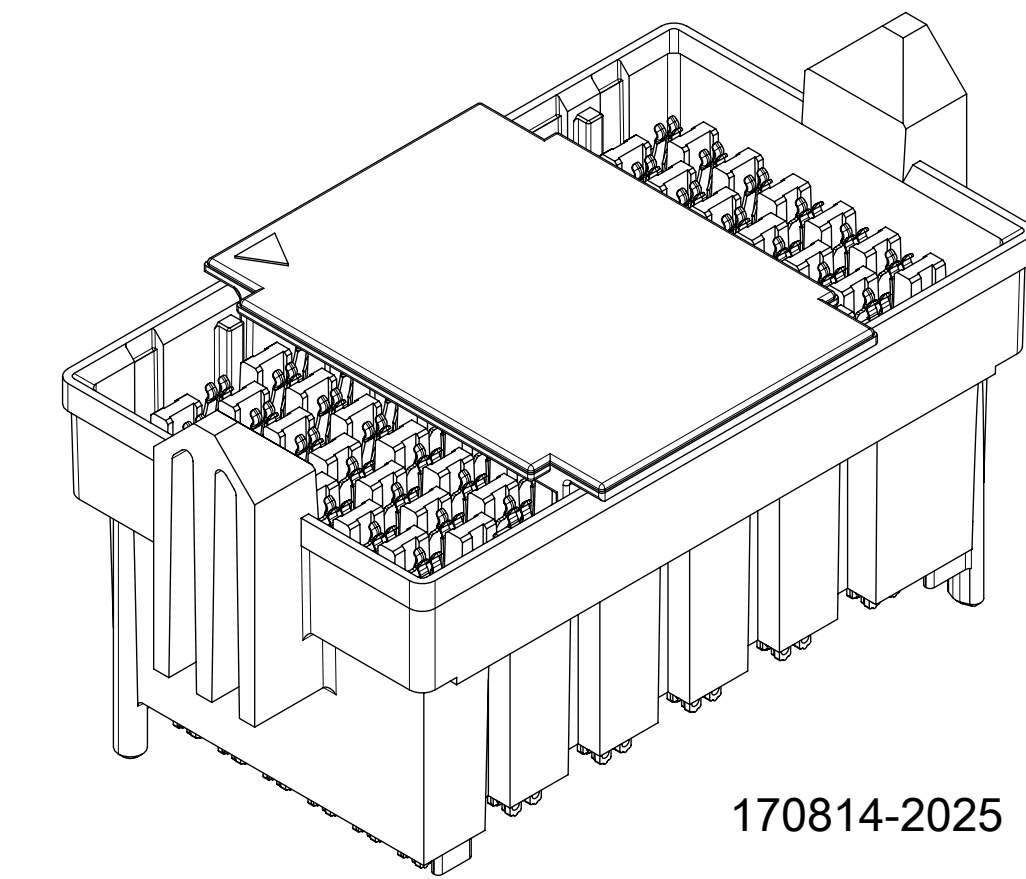
MATERIAL NUMBER	HEIGHT	TRIAD TYPE AND COUNT			DIM E	DIM F	DIM J	MATE WITH
		85 OHMS	100 OHMS	POWER				
1708142016	8.00MM	N/A	72 PLACES	N/A	23.90	3.59	11.89	1708072016 (22MM) & 1708072008 (12MM) & 1708072020 (8MM)
1708140034	18.00MM	72 PLACES	N/A	N/A	N/A	13.59	21.89	1708070034 (22MM)
1708142008	18.00MM	N/A	72 PLACES	N/A	N/A	13.59	21.89	1708072016 (22MM) & 1708072008 (12MM) & 1708072020 (8MM) 1708072027 (10MM)
1708142025	15.00MM	N/A	72 PLACES	N/A	N/A	10.59	18.89	1708072016 (22MM) & 1708072008 (12MM) & 1708072020 (8MM)
1708140049	8.00MM	72 PLACES	N/A	N/A	23.90	3.59	11.89	1708070046 (12MM)



170814-2016
SCALE 3:1



170814-0034/2008
SCALE 3:1



170814-2025
SCALE 3:1

FUNCTIONAL SYMBOLS FA = 0 FC = 0 FD = 0	THIS DRAWING CONTAINS INFORMATION THAT IS PROPRIETARY TO MOLEX ELECTRONIC TECHNOLOGIES, LLC AND SHOULD NOT BE USED WITHOUT WRITTEN PERMISSION		CURRENT REV DESC: REMASTERED TO NX.	
	DIMENSION UNITS mm	SCALE NTS		
DIVISIONAL SYMBOLS	GENERAL TOLERANCES (UNLESS SPECIFIED)			
	ANGULAR TOL $\pm 0.5^\circ$			
	4 PLACES	\pm	EC NO: 667773	2021/06/22
	3 PLACES	\pm	DRWN: JESSIECHUA	2021/07/15
	2 PLACES	± 0.15	CHK'D: HCGOH	2021/07/19
	1 PLACE	\pm	APPR: SHONG	
0 PLACES	\pm	INITIAL REVISION:		
DRAFT WHERE APPLICABLE MUST REMAIN WITHIN DIMENSIONS		THIRD ANGLE PROJECTION	DRAWING D-SIZE	SERIES 170814
DOCUMENT STATUS P1		RELEASE DATE 2021/07/19 00:44:13	MATERIAL NUMBER SD-170814-2016	CUSTOMER GENERAL MARKET
PART ILLUSTRATED IS 170814-2016		RECEPTACLE, 6X12, NEOSCALE		
		PRODUCT CUSTOMER DRAWING		
		DOCUMENT NUMBER	DOC TYPE	DOC PART
		SD-170814-2016	PSD	001
		REVISION	A3	
		SHEET NUMBER	2 OF 2	