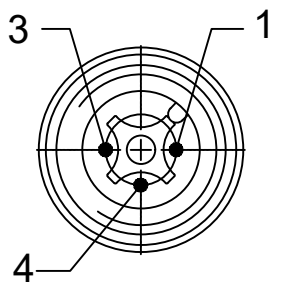
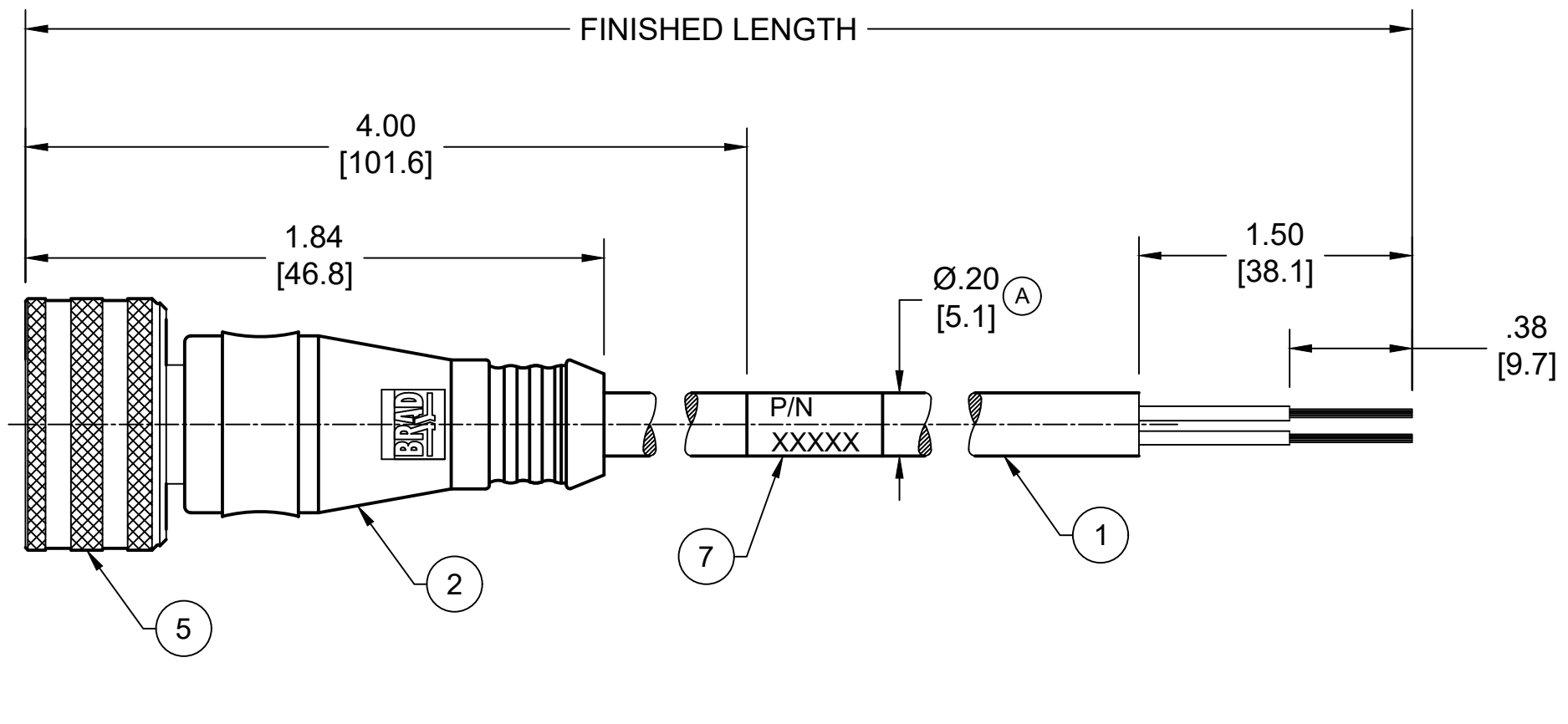
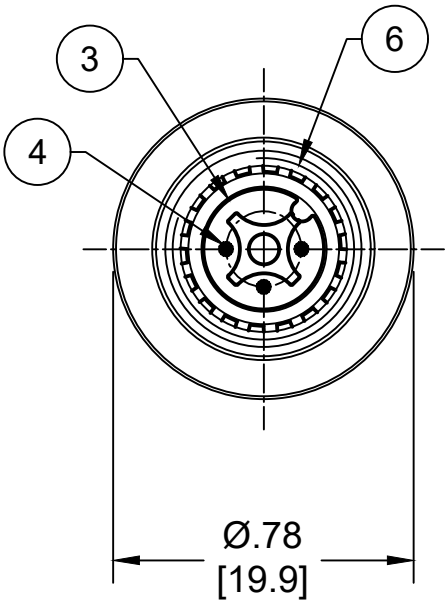


**MALE FACE VIEW
3-POLE**



WIRING DIAGRAM

- 1 BROWN
- 3 BLUE
- 4 BLACK



- NOTES:**
1. MATERIAL: AS NOTED
 2. FINISH: AS NOTED
 3. ELECTRICAL:
VOLTAGE: 250V
CURRENT: 4A
 4. TEMP RATING: -20°TO +105°C
 5. PROTECTION: IP67/69K (WHEN MATED)
 6. CSA CERTIFIED FILE: LR6837 (A)
 7. ALL DIMENSIONS ARE FOR REFERENCE
UNLESS TOLERANCED OR NOTED OTHERWISE

**(A) PART NUMBER LEGEND
W03006A09M020**

FINISHED LENGTH
M005 = 0.5 METER
M010 = 1 METER
M100 = 10 METER

(A) PART NO	ENGINEERING NO.	FINISHED LENGTH
1200790175	W03006A09M020	2M [6FT 7 IN]
1200790173	W03006A09M050	5M [16FT 5 IN]
1200790171	W03006A09M100	10M [32FT 10 IN]

ITEM	DESCRIPTION	MATERIAL	FINISH
7	WRAP LABEL	VINYL	BLACK/YELLOW (A)
6	O-RING	VITON	GREEN
5	COUPLER	BRASS	NICKEL PLATED
4	CONTACT PIN	COPPER ALLOY	GOLD OVER NICKEL
3	MALE INSERT	PUR	BLACK (A)
2	OVERMOLD	PUR	YELLOW
1	#22 AWG CABLE	PVC JACKET	YELLOW

(A) CABLE LENGTH TOLERANCES

<.3M [1FT]:	+19mm-0 [+ .75in-0]
.3 - .9M [1 - 3FT]:	+44.5mm-0 [+1.75in-0]
.9 - 1.8M [3 - 6FT]:	+55.6mm-0 [+2.19in-0]
1.8 - 3.7M [6 - 12FT]:	+88.9mm-0 [+3.50in-0]
3.7 - 7.3M [12 - 24FT]:	+165.1mm-0 [+6.50in-0]
7.3-14.6M [24 - 48FT]:	+317.5mm-0 [+12.50in-0]
14.6 - 30.5M [48-100FT]:	+622.3mm-0 [+24.50in-0]
OVER 30M [100FT]	+2% OF FINISHED LENGTH

FUNCTIONAL SYMBOLS $F_A=0$ $F_P=0$ $F_P=0$	THIS DRAWING CONTAINS INFORMATION THAT IS PROPRIETARY TO MOLEX ELECTRONIC TECHNOLOGIES, LLC AND SHOULD NOT BE USED WITHOUT WRITTEN PERMISSION		CURRENT REV DESC: ITEM #3 WAS NYLON & #7 WAS MYLAR. REMOVED UL. ADDED CSA. CABLE DIA, PN MATRIX & TOL CHART. MODIFIED PN TABLE.		
	DIMENSION UNITS INCH/MM	SCALE NTS	molex MICRO-CHANGE ULTRA LOCK, M12 3-POLE, MALE, STRAIGHT, SINGLE KEY, #22 AWG		
	GENERAL TOLERANCES (UNLESS SPECIFIED)				
	DIVISIONAL SYMBOLS 4 PLACES ± --- ± --- 3 PLACES ± --- ± --- 2 PLACES ± --- ± --- 1 PLACE ± --- ± --- 0 PLACES ± --- ± ---	EC NO: 702709 DRWN: ABENJAMINLW 2021/07/20 CHK'D: RSTONE 2022/04/11 APPR: BWOODMAN 2022/04/16	INITIAL REVISION: DRWN: LSTEMMLE 2010/02/10 APPR: FPACHER 2010/02/15	DOCUMENT NUMBER SD-120079-023	DOC TYPE DOC PART REVISION PSD 001 A