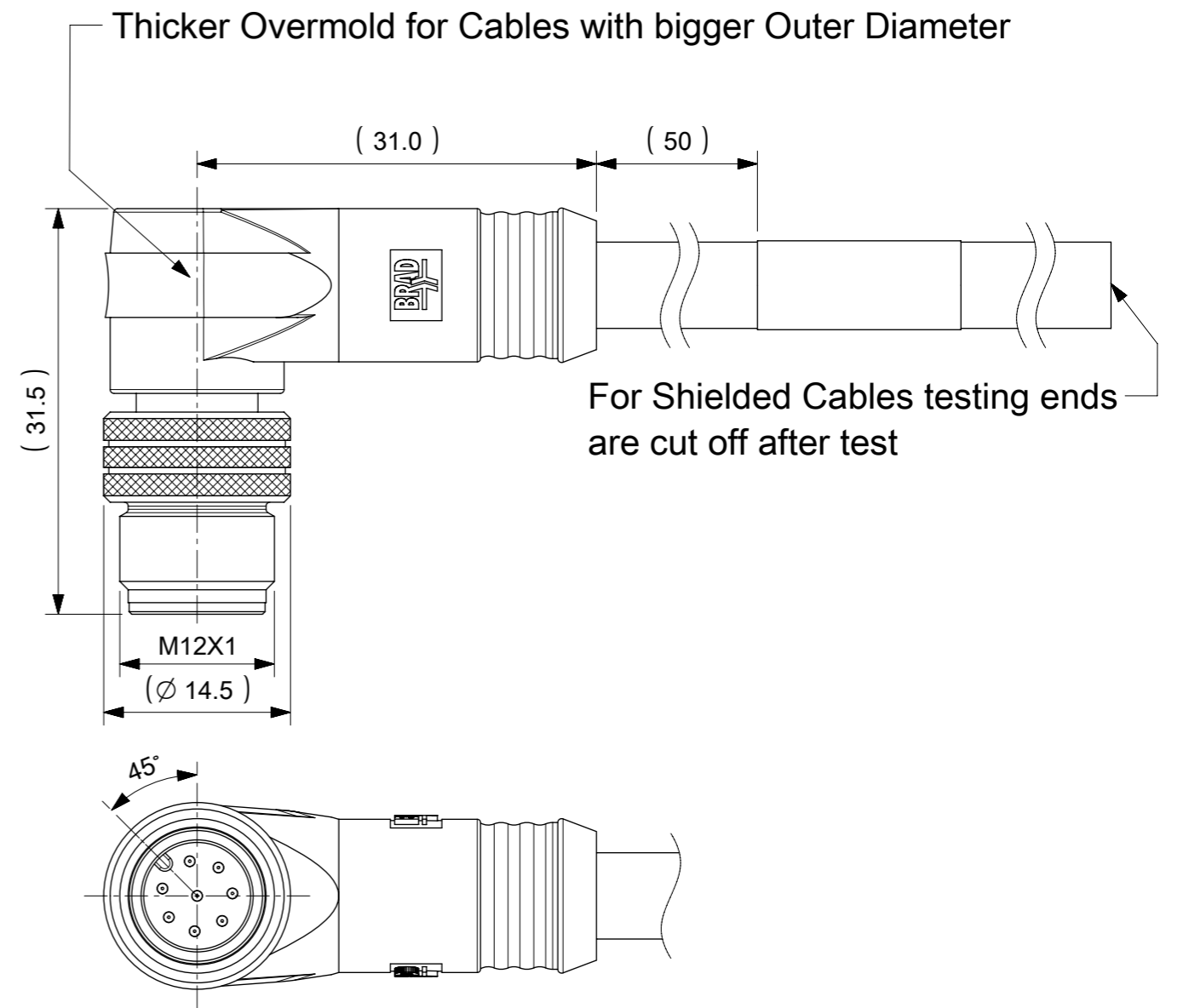
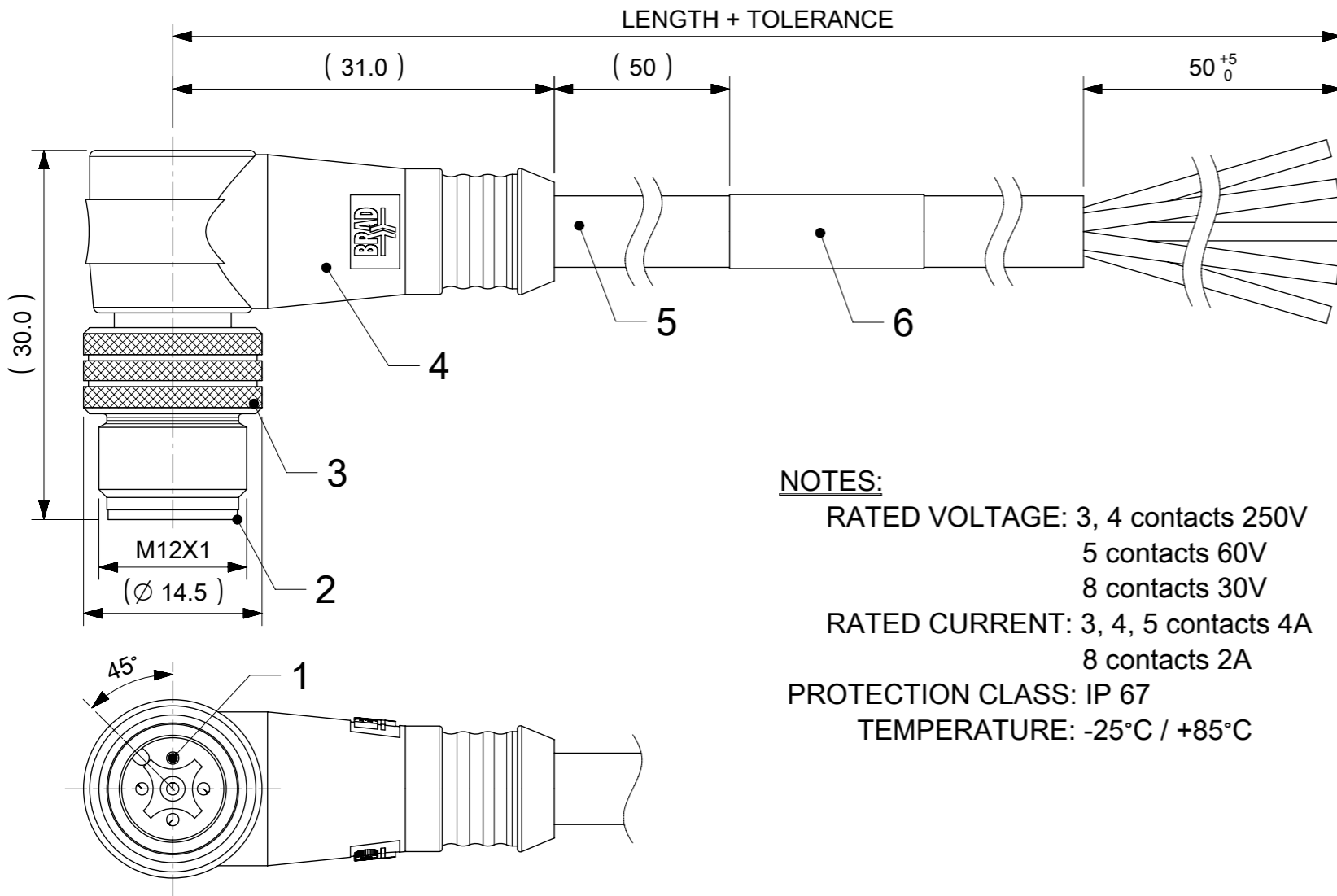


MALE PLUG M12 90° ANGLED



NOTES:
 RATED VOLTAGE: 3, 4 contacts 250V
 5 contacts 60V
 8 contacts 30V
 RATED CURRENT: 3, 4, 5 contacts 4A
 8 contacts 2A
 PROTECTION CLASS: IP 67
 TEMPERATURE: -25°C / +85°C

CONTACTS POSITION FRONT VIEW:

| 3 CONTACTS | | 4 CONTACTS | | 5 CONTACTS | | 8 CONTACTS | |
|------------|-------|------------|-------|------------|-------|------------|--------|
| | | | | | | | |
| PIN | WIRE | PIN | WIRE | PIN | WIRE | PIN | WIRE |
| 1 | BROWN | 1 | BROWN | 1 | BROWN | 1 | WHITE |
| 2 | --- | 2 | WHITE | 2 | WHITE | 2 | BROWN |
| 3 | BLUE | 3 | BLUE | 3 | BLUE | 3 | GREEN |
| 4 | BLACK | 4 | BLACK | 4 | BLACK | 4 | YELLOW |
| 5 | --- | 5 | --- | 5 | GREY | 5 | GREY |
| | | | | | | 6 | PINK |
| | | | | | | 7 | BLUE |
| | | | | | | 8 | RED |

CODING REQUIRED TO IEC 61076-2-101

FOR OPTIONS SEE - NUMERICAL CODE - ON SHEET 2

| 6 | 1 | LABEL YELLOW | VINYL | --- |
|------|---------------|-------------------------|-------------|----------------------|
| | - | PRINTING FOR CABLES lxx | --- | --- |
| 5 | - | CABLE | SEE SHEET 2 | --- |
| 4 | - | OVERMOLDING BLACK | TPU | --- |
| 3 | 1 | COUPLING NUT MALE | BRASS | NICKEL |
| 2 | 1 | INSERT MALE BLACK | PUR | --- |
| 1 | 3 / 4 / 5 / 8 | CONTACT M12 MALE | BRASS | SELECTIVE Au OVER Ni |
| ITEM | QTY. | DESCRIPTION | MATERIAL | FINISH |

THIS DRAWING CONTAINS INFORMATION THAT IS PROPRIETARY TO MOLEX ELECTRONIC TECHNOLOGIES, LLC AND SHOULD NOT BE USED WITHOUT WRITTEN PERMISSION

DIMENSION UNITS: mm SCALE: 2:1

GENERAL TOLERANCES (UNLESS SPECIFIED):
 ANGULAR TOL ± 1.0°
 4 PLACES ±
 3 PLACES ±
 2 PLACES ± 0.05
 1 PLACE ± 0.1
 0 PLACES ± 0.2

EC NO: 733771
 DRWN: LIKITV 2023/01/13
 CHK'D: GGA 2023/02/24
 APPR: GGA 2023/02/24

INITIAL REVISION:
 DRWN: JMARSZALEK 2016/01/14
 APPR: RSILLER 2016/04/08

THIRD ANGLE PROJECTION

DRAWING: A3-SIZE SERIES: 120065 MATERIAL NUMBER: SEE TABLE CUSTOMER: GENERAL MARKET SHEET NUMBER: 1 OF 3

DOCUMENT NUMBER: 1200658327 DOC TYPE: PSD DOC PART: 000 REVISION: A3

molex

CSE M12 XP AC MA RA XM SE UNSH

PRODUCT CUSTOMER DRAWING

ENGINEERING NO. - NUMERICAL CODE (Available parts see PART LIST table. Others on request).

8 0 X 0 0 7 X X X X X X X X

80=M12x1
Single ended

Contacts:
3=3 Contacts
4=4 Contacts
5=5 Contacts
8=8 Contacts

Heads style:
007=Plug Male
90° Angled

Cable type: See Table

Units:
M=Meter
C=Centimeter

Length
Examples:
005=0.5 unit
010=1 unit
100=10 units

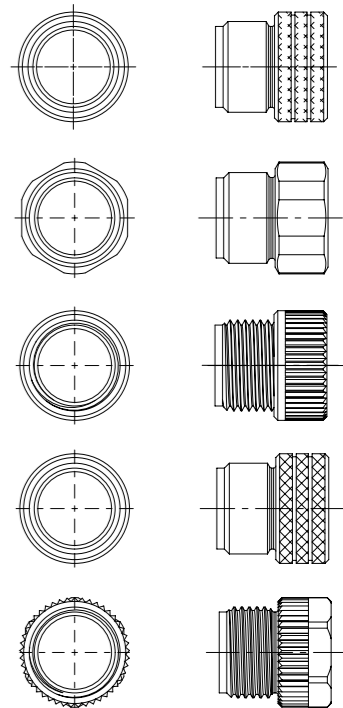
Overmold color:
Blank (Standard)=Black TPU
Blank=Yellow TPU for cables A09,S19,S20,S26
Blank=Yellow TPE-E for cables K03,K05
A=Grey / G=Black / Y=Yellow

Coupling Nut:
Blank (Standard) & 3=Knurled Brass Ni Plated
1=Hexagonal Stainless steel
5=Knurled Delrin
7=Knurled Brass Ni Plated, Teflon Coated
Blank=7 for cables I20, I26, K03, K05, P82, S26
9=Knurled / Hexagonal Brass Ni Plated SW13

OPTIONS

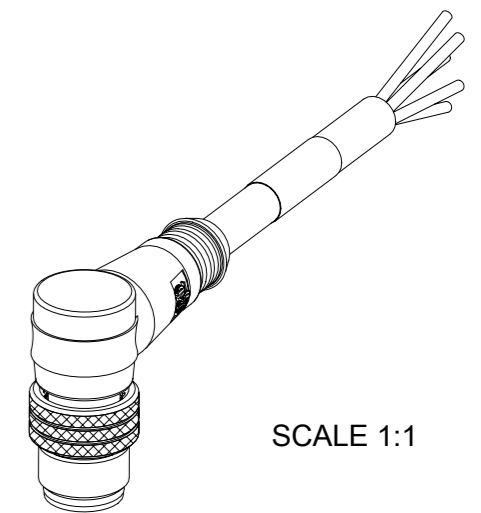
H= 2 pcs. of I/D Carrier
PVC Transparent
(Cables Ixx & P82 always
with 2 pcs. of I/D Carrier
even if no H in
Engineering No.)

COUPLING NUTS



CABLE INFORMATION (for more information see Cable Data Sheet).

| CABLE TYPE | NO. OF WIRES | CROSS SECTION | CABLE JACKET | UL | CSA | STATIC: TEMP. / BENDING RADIUS | DYNAMIC: TEMP. / BENDING RADIUS | DRAG CHAIN | SHIELD |
|------------|--------------|---------------------|----------------|-----------------------|-----------------------|--------------------------------|---------------------------------|------------|--------|
| E13 | 3 | 18AWG | PVC YELLOW | UL 2661/1731 | I/II A/B 80°C/300V | - | - | - | - |
| E52 | 3 / 4 / 8 | 0.34mm ² | PVC GREY | - | - | -30°C to +70°C | -5°C to +70°C | - | - |
| H69 | 4 | 0.20mm ² | PUR GREY LS0H | - | - | - | - | - | - |
| I02 | 3 / 4 / 8 | 0.25mm ² | PVC CEI GREY | - | - | -30°C to +70°C | -5°C to +70°C | - | - |
| I03 | 3 / 4 / 5 | 0.34mm ² | PVC CEI GREY | - | - | -30°C to +70°C | -5°C to +70°C | - | - |
| I20 | 3 / 4 | 0.34mm ² | PVC CEI GREY | - | - | -30°C to +70°C | -5°C to +70°C | - | YES |
| K05 | 3 / 4 / 5 | 0.34mm ² | TPE YELLOW | UL ITC E195601 or PLC | I/II A/B 90°C/300V | - | - | - | - |
| P12 | 3 / 5 | 0.50mm ² | PUR BLACK | - | - | -30°C to +90°C | -5°C to +90°C | - | - |
| P20 | 3 / 4 / 5 | 0.34mm ² | PUR BLACK LS0H | - | - | -30°C to +80°C | - | - | YES |
| P82 | 3 / 4 / 5 | 0.34mm ² | PUR IRR ORANGE | - | - | -50°C to +105°C, 5xO.D. | -40°C to +105°C, 7.5xO.D. | - | - |
| S20 | 3 / 4 / 5 | 0.34mm ² | PVC YELLOW | UL 2661/1731 | C22.2 II A 105°C/300V | -30°C to +105°C | - | - | YES |



CABLE LENGTH TOLERANCES

| OVER | UP TO AND INCLUDING | TOLERANCES |
|---------|---------------------|------------------------|
| 0 | 305mm | +19mm |
| 305mm | 915mm | +45mm |
| 915mm | 1830mm | +56mm |
| 1830mm | 3660mm | +89mm |
| 3660mm | 7320mm | +165mm |
| 7320mm | 14640mm | +317mm |
| 14640mm | 30500mm | +610mm |
| 30500mm | > | +2% of finished length |

THIS DRAWING CONTAINS INFORMATION THAT IS PROPRIETARY TO MOLEX ELECTRONIC TECHNOLOGIES, LLC AND SHOULD NOT BE USED WITHOUT WRITTEN PERMISSION

| | | | | | |
|--|--------|---|--------------------------------|----------------|----------|
| DIMENSION UNITS | SCALE | CURRENT REV DESC: REMOVED OBSOLETE PART NUMBER AS PER PCN#510806. | molex | | |
| mm | 1:1 | | | | |
| GENERAL TOLERANCES (UNLESS SPECIFIED) | | | CSE M12 XP AC MA RA XM SE UNSH | | |
| ANGULAR TOL | ± 1.0° | EC NO: 733771 | PRODUCT CUSTOMER DRAWING | | |
| 4 PLACES | ± | DRWN: LIKITV 2023/01/13 | DOCUMENT NUMBER | | |
| 3 PLACES | ± | CHK'D: GGA 2023/02/24 | 1200658327 | | |
| 2 PLACES | ± 0.05 | APPR: GGA 2023/02/24 | DOC TYPE | DOC PART | REVISION |
| 1 PLACE | ± 0.1 | INITIAL REVISION: | PSD | 000 | A3 |
| 0 PLACES | ± 0.2 | DRWN: JMARSZALEK 2016/01/14 | SHEET NUMBER | | |
| DRAFT WHERE APPLICABLE MUST REMAIN WITHIN DIMENSIONS | | APPR: RSILLER 2016/04/08 | MATERIAL NUMBER | CUSTOMER | |
| THIRD ANGLE PROJECTION | | DRAWING | 120065 | GENERAL MARKET | 2 OF 3 |
| A3-SIZE | | SERIES | SEE TABLE | | |

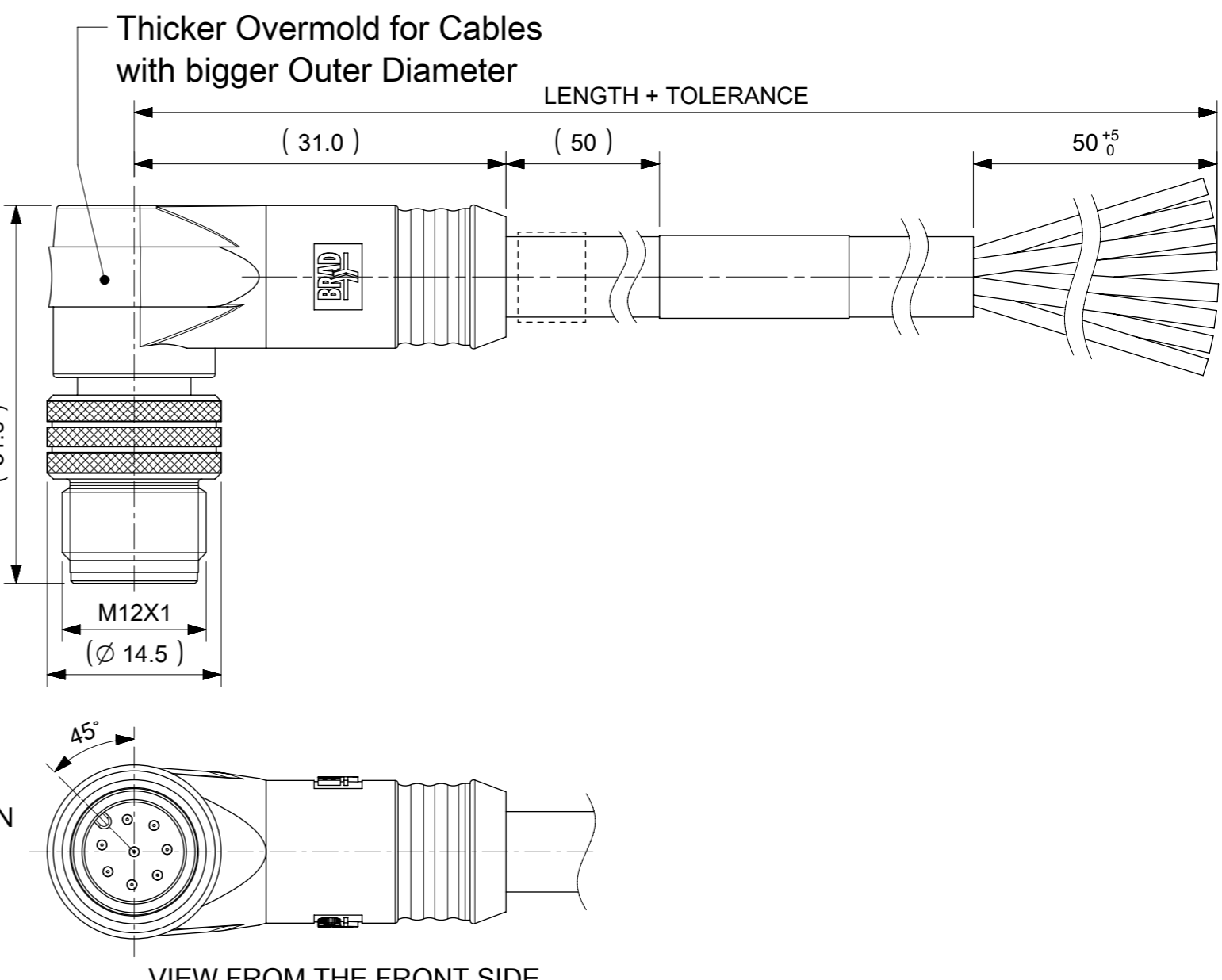
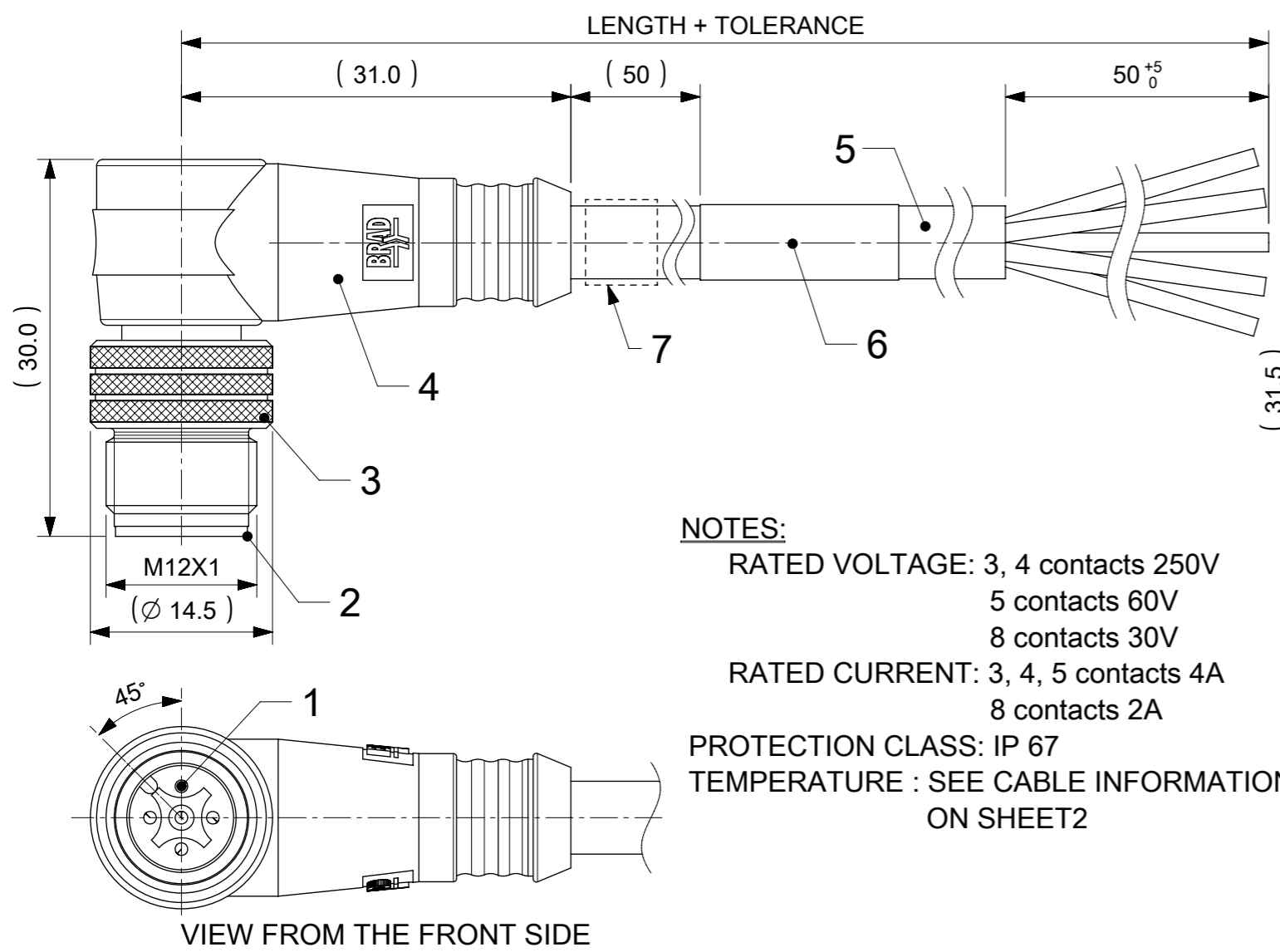
PART LIST

| No. | Part No. | Engineering No. | Cable Length |
|-----|------------|-----------------|--------------|
| 1 | 1200060293 | 803007S20M050 | 5m |
| 2 | 1200060587 | 804007H69M020 | 2m |
| 3 | 1200060589 | 804007I03M020 | 2m |
| 4 | 1200060599 | 804007S20M100 | 10m |
| 5 | 1200062086 | 804007S20M050 | 5m |
| 6 | 1200062304 | 805007P12M015 | 1,5m |
| 7 | 1200063831 | 804007E52M100 | 10m |
| 8 | 1200658229 | 803007E13M050 | 5m |
| 9 | 1200658327 | 805007I03M015 | 1,5m |
| 10 | 1200658521 | 805007P12M006 | 0,6m |
| 11 | 1200658522 | 805007P12M020 | 2m |
| 12 | 1200658596 | 803007I03M010 | 1m |
| 13 | 1200658597 | 803007I03M040 | 4m |
| 14 | 1200658598 | 803007I03M100 | 10m |
| 15 | 1200658602 | 804007I03M010 | 1m |
| 16 | 1200658603 | 804007I03M030 | 3m |
| 17 | 1200658604 | 804007I03M040 | 4m |
| 18 | 1200658963 | 804007S20M1001 | 10m |
| 19 | 1200658964 | 804007S20M0501 | 5m |
| 20 | 1200659204 | 805007P12M050 | 5m |
| 21 | 1200659375 | 804007S20M350 | 35m |

| | | | | | | | | | | |
|---|-------|---|---------|--------|--------------------------------|----------------|--------------|----------|----------|----------|
| THIS DRAWING CONTAINS INFORMATION THAT IS PROPRIETARY TO MOLEX ELECTRONIC TECHNOLOGIES, LLC AND SHOULD NOT BE USED WITHOUT WRITTEN PERMISSION | | | | | | | | | | |
| DIMENSION UNITS | SCALE | CURRENT REV DESC: REMOVED OBSOLETE PART NUMBER AS PER PCN#510806. | | | molex | | | | | |
| mm | 1:1 | | | | | | | | | |
| GENERAL TOLERANCES (UNLESS SPECIFIED) | | | | | CSE M12 XP AC MA RA XM SE UNSH | | | | | |
| ANGULAR TOL ± 1.0 ° | | | | | PRODUCT CUSTOMER DRAWING | | | | | |
| 4 PLACES ± | | EC NO: 733771 | | | 2023/01/13 | | | | | |
| 3 PLACES ± | | DRWN: LIKITV | | | 2023/02/24 | | | | | |
| 2 PLACES ± 0.05 | | CHK'D: GGA | | | 2023/02/24 | | | | | |
| 1 PLACE ± 0.1 | | APPR: GGA | | | | | | | | |
| 0 PLACES ± 0.2 | | INITIAL REVISION: | | | DOCUMENT NUMBER | | | | | |
| | | DRWN: JMARSZALEK | | | 1200658327 | | | DOC TYPE | DOC PART | REVISION |
| | | APPR: RSILLER | | | | | | PSD | 000 | A3 |
| DRAFT WHERE APPLICABLE MUST REMAIN WITHIN DIMENSIONS | | THIRD ANGLE PROJECTION | DRAWING | SERIES | MATERIAL NUMBER | CUSTOMER | SHEET NUMBER | | | |
| | | | A3-SIZE | 120065 | SEE TABLE | GENERAL MARKET | 3 OF 3 | | | |

| | | | | |
|-----------------|----|--------------|------------|----------|
| DOCUMENT STATUS | P1 | RELEASE DATE | 2023/02/24 | 12:55:42 |
|-----------------|----|--------------|------------|----------|

MALE PLUG M12 90° ANGLED



NOTES:
 RATED VOLTAGE: 3, 4 contacts 250V
 5 contacts 60V
 8 contacts 30V
 RATED CURRENT: 3, 4, 5 contacts 4A
 8 contacts 2A
 PROTECTION CLASS: IP 67
 TEMPERATURE : SEE CABLE INFORMATION ON SHEET2

CONTACTS POSITION FRONT VIEW:

| 3 CONTACTS | | 4 CONTACTS | | 5 CONTACTS | | 8 CONTACTS | |
|------------|-------|------------|-------|------------|-------|------------|--------|
| | | | | | | | |
| PIN | WIRE | PIN | WIRE | PIN | WIRE | PIN | WIRE |
| 1 | BROWN | 1 | BROWN | 1 | BROWN | 1 | WHITE |
| 2 | --- | 2 | WHITE | 2 | WHITE | 2 | BROWN |
| 3 | BLUE | 3 | BLUE | 3 | BLUE | 3 | GREEN |
| 4 | BLACK | 4 | BLACK | 4 | BLACK | 4 | YELLOW |
| 5 | --- | 5 | --- | 5 | GREY | 5 | GREY |
| | | | | | | 6 | PINK |
| | | | | | | 7 | BLUE |
| | | | | | | 8 | RED |

CODING REQUIRED TO IEC 61076-2-101

FOR OPTIONS SEE - NUMERICAL CODE - ON SHEET 2

| ITEM | QTY. | DESCRIPTION | MATERIAL | FINISH |
|------|---------------|--------------------------|-------------|----------------------|
| 7 | 0 OR 2 | I/D CARRIER (SEE MATRIX) | PVC | TRANSPARENT |
| 6 | 1 | LABEL YELLOW | VINYL | --- |
| 5 | - | CABLE | SEE SHEET 2 | --- |
| 4 | - | OVERMOULDING BLACK | TPU | --- |
| 3 | 1 | COUPLING NUT MALE | BRASS | NICKEL |
| 2 | 1 | INSERT MALE BLACK | PUR | --- |
| 1 | 3 / 4 / 5 / 8 | CONTACT M12 MALE | BRASS | SELECTIVE Au OVER Ni |

THIS DRAWING CONTAINS INFORMATION THAT IS PROPRIETARY TO MOLEX ELECTRONIC TECHNOLOGIES, LLC AND SHOULD NOT BE USED WITHOUT WRITTEN PERMISSION

DIMENSION UNITS: mm SCALE: 2:1

GENERAL TOLERANCES (UNLESS SPECIFIED):
 ANGULAR TOL ± 1.0°
 4 PLACES ±
 3 PLACES ±
 2 PLACES ± 0.05
 1 PLACE ± 0.3
 0 PLACES ± 0.5

DRAFT WHERE APPLICABLE MUST REMAIN WITHIN DIMENSIONS

THIRD ANGLE PROJECTION

DRAWING: A3-SIZE

SERIES: 120065

MATERIAL NUMBER: SEE SHEET 3

CUSTOMER: GENERAL MARKET

SHEET NUMBER: 1 OF 3

EC NO: 743963
 DRWN: RSCHIEBER 2023/03/28
 CHK'D: RSILLER 2023/03/28
 APPR: RSILLER 2023/03/28

INITIAL REVISION:
 DRWN: JMARSZALEK 2016/01/14
 APPR: RSILLER 2016/04/08

DOCUMENT NUMBER: 1200659138

DOC TYPE: PSD

DOC PART: 000

REVISION: A7

molex

CSE M12 XP AC MA RA XM SE UNSH

PRODUCT CUSTOMER DRAWING

ENGINEERING NO. - NUMERICAL CODE (Available parts see PART LIST table. Others on request).

8 0 X 0 0 7 X X X X X X X X

OPTIONS

80=M12x1
Single ended

Contacts:
3=3 Contacts
4=4 Contacts
5=5 Contacts
8=8 Contacts

Heads style:
007=Plug Male
90° Angled

Cable type: See Table

Units:
M=Meter

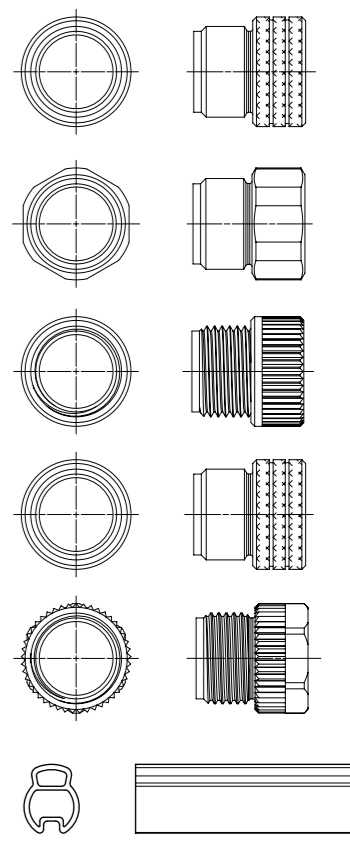
Length
Examples:
005=0.5 unit
010=1 unit
100=10 units

Overmold color:
Blank (Standard)=Black
A=Grey / G=Black / Y=Yellow

Coupling Nut:
Blank (Standard) & 3=Knurled Brass Ni Plated
1=Hexagonal Stainless steel
5=Knurled Delrin
7=Knurled Brass Ni Plated, Teflon Coated
9=Knurled / Hexagonal Brass Ni Plated

H= 2 pcs. of I/D Carrier PVC Transparent

COUPLING NUTS

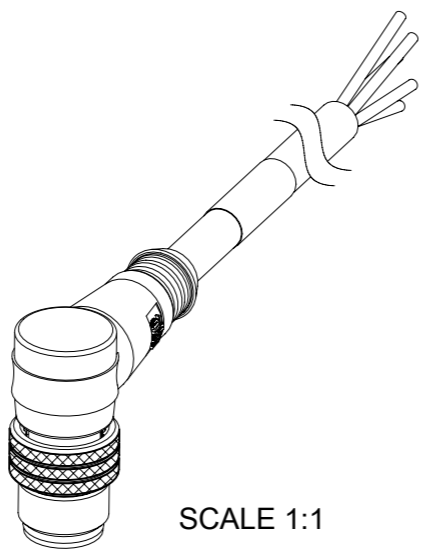


CABLE INFORMATION (for more information see Cable Data Sheet).

| CABLE TYPE | NO. OF WIRES | CROSS SECTION | CABLE JACKET | UL | CSA | STATIC: TEMP. / BENDING RADIUS | DYNAMIC: TEMP. / BENDING RADIUS | DRAG CHAIN | SHIELD |
|------------|---------------|---------------------|-----------------|-----------------------|--------------------------|--------------------------------|---------------------------------|---|--------|
| E02 | 3 / 4 / 5 / 8 | 0.25mm ² | PVC BLACK | UL 2464/1729 | C22.2 I/II A/B 80°C/300V | -30°C to +80°C, 10xO.D. | -10°C to +80°C, 15xO.D. | - | - |
| E03 | 3 / 4 / 5 | 0.34mm ² | PVC BLACK | UL 2464/1729 | C22.2 I/II A/B 80°C/300V | -30°C to +80°C, 10xO.D. | -10°C to +80°C, 15xO.D. | - | - |
| H08 | 3 / 4 / 5 / 8 | 0.25mm ² | PUR BLACK LS0H | UL 21198/10493 | C22.2 I/II A/B 80°C/300V | -40°C to +80°C, 5xO.D. | -25°C to +80°C, 10xO.D. | 2 000 000 cycles at 20°C, Temp. range +5°C to +60°C | - |
| H09 | 3 / 4 / 5 | 0.34mm ² | PUR BLACK LS0H | UL 21198/10493 | C22.2 I/II A/B 80°C/300V | -40°C to +80°C, 5xO.D. | -25°C to +80°C, 10xO.D. | 2 000 000 cycles at 20°C, Temp. range +5°C to +60°C | - |
| P02 | 3 / 4 / 5 / 8 | 0.25mm ² | PUR / PVC BLACK | - | - | -30°C to +80°C, 7xO.D. | -5°C to +80°C, 15xO.D. | - | - |
| P03 | 3 / 4 / 5 | 0.34mm ² | PUR / PVC BLACK | - | - | -30°C to +80°C, 7xO.D. | -5°C to +80°C, 15xO.D. | - | - |
| E13 | 3 | 18AWG | PVC YELLOW | UL 2661/1731 | I/II A/B 80°C/300V | - | - | - | - |
| E52 | 3 / 4 / 8 | 0.34mm ² | PVC GREY | - | - | -30°C to +70°C | -5°C to +70°C | - | - |
| H69 | 4 | 0.20mm ² | PUR GREY LS0H | - | - | - | - | - | - |
| I03 | 3 / 4 / 5 | 0.34mm ² | PVC CEI GREY | - | - | -30°C to +70°C | -5°C to +70°C | - | - |
| K03 | 4 / 5 | 0.34mm ² | TPE YELLOW | - | I/II A/B 90°C/300V | -40°C to +105°C | - | - | - |
| K05 | 3 / 4 / 5 | 0.34mm ² | TPE YELLOW | UL ITC E195601 or PLC | I/II A/B 90°C/300V | - | - | - | - |
| P12 | 3 / 5 | 0.50mm ² | PUR BLACK | - | - | -30°C to +90°C | -5°C to +90°C | - | - |
| P82 | 3 / 4 / 5 | 0.34mm ² | PUR IRR ORANGE | - | - | -50°C to +105°C, 5xO.D. | -40°C to +105°C, 7.5xO.D. | - | - |

CABLE LENGTH TOLERANCES

| OVER | UP TO AND INCLUDING | TOLERANCES |
|---------|---------------------|------------------------|
| 0 | 305mm | +19mm |
| 305mm | 915mm | +45mm |
| 915mm | 1830mm | +56mm |
| 1830mm | 3660mm | +89mm |
| 3660mm | 7320mm | +165mm |
| 7320mm | 14640mm | +317mm |
| 14640mm | 30500mm | +610mm |
| 30500mm | > | +2% of finished length |



SCALE 1:1

THIS DRAWING CONTAINS INFORMATION THAT IS PROPRIETARY TO MOLEX ELECTRONIC TECHNOLOGIES, LLC AND SHOULD NOT BE USED WITHOUT WRITTEN PERMISSION

DIMENSION UNITS: mm SCALE: 1:1

CURRENT REV DESC: NEW P/N ADDED

molex

CSE M12 XP AC MA RA XM SE UNSH

PRODUCT CUSTOMER DRAWING

EC NO: 743963
DRWN: RSCHIEBER 2023/03/28
CHK'D: RSILLER 2023/03/28
APPR: RSILLER 2023/03/28

INITIAL REVISION:
DRWN: JMARSZALEK 2016/01/14
APPR: RSILLER 2016/04/08

DOCUMENT NUMBER: 1200659138
DOC TYPE: PSD
DOC PART: 000
REVISION: A7

DRAFT WHERE APPLICABLE MUST REMAIN WITHIN DIMENSIONS

THIRD ANGLE PROJECTION

DRAWING: A3-SIZE
SERIES: 120065
MATERIAL NUMBER: SEE SHEET 3
CUSTOMER: GENERAL MARKET
SHEET NUMBER: 2 OF 3


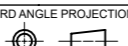
PART LIST

| No. | Part No. | Engineering No. | Cable Length |
|-----|------------|-----------------|--------------|
| 1 | 1200060273 | 803007E03M020 | 2m |
| 2 | 1200060275 | 803007E03M050 | 5m |
| 3 | 1200060288 | 803007P03M020 | 2m |
| 4 | 1200060289 | 803007P03M030 | 3m |
| 5 | 1200060582 | 804007E03M010 | 1m |
| 6 | 1200060583 | 804007E03M030 | 3m |
| 7 | 1200060584 | 804007E03M050 | 5m |
| 8 | 1200060587 | 804007H69M020 | 2m |
| 9 | 1200060589 | 804007I03M020 | 2m |
| 10 | 1200060592 | 804007P03M020 | 2m |
| 11 | 1200060593 | 804007P03M030 | 3m |
| 12 | 1200060594 | 804007P03M050 | 5m |
| 13 | 1200060595 | 804007P03M100 | 10m |
| 14 | 1200060696 | 805007P03M015 | 1.5m |
| 15 | 1200060697 | 805007P03M020 | 2m |
| 16 | 1200060699 | 805007P03M040 | 4m |
| 17 | 1200061764 | 804007P03M010 | 1m |
| 18 | 1200061975 | 804007E03M020 | 2m |
| 19 | 1200062055 | 803007P03M050 | 5m |
| 20 | 1200062238 | 804007E03M100 | 10m |
| 21 | 1200062498 | 805007E03M100 | 10m |
| 22 | 1200062638 | 804007E03M006 | 0.6m |
| 23 | 1200062680 | 804007E03M0101 | 1m |
| 24 | 1200062681 | 804007E03M0201 | 2m |
| 25 | 1200062682 | 804007E03M0501 | 5m |
| 26 | 1200062929 | 805007E03M050 | 5m |
| 27 | 1200063575 | 804007E03M1001 | 10m |
| 28 | 1200063576 | 804007E03M1501 | 15m |
| 29 | 1200063656 | 804007E03M2001 | 20m |
| 30 | 1200063831 | 804007E52M100 | 10m |
| 31 | 1200064175 | 804007E03M4001 | 40m |
| 32 | 1200064178 | 804007P03M005 | 0.5m |
| 33 | 1200064280 | 804007E03M200 | 20m |
| 34 | 1200064294 | 804007P03M200 | 20m |
| 35 | 1200064394 | 804007P03M020G | 2m |

| No. | Part No. | Engineering No. | Cable Length |
|-----|------------|-----------------|--------------|
| 36 | 1200651688 | 804007K03M050 | 5m |
| 37 | 1200651691 | 804007K05M020 | 2m |
| 38 | 1200651693 | 804007K05M050 | 5m |
| 39 | 1200651800 | 808007P02M020 | 2m |
| 40 | 1200652026 | 804007K03M100 | 10m |
| 41 | 1200652145 | 804007P03M040 | 4m |
| 42 | 1200652149 | 805007P03M060 | 6m |
| 43 | 1200652159 | 805007K03M020 | 2m |
| 44 | 1200652161 | 805007K03M050 | 5m |
| 45 | 1200655006 | 805007P03M100 | 10m |
| 46 | 1200658096 | 805007E03M020 | 2m |
| 47 | 1200658186 | 805007P03M050 | 5m |
| 48 | 1200658229 | 803007E13M050 | 5m |
| 49 | 1200658235 | 804007E03M2501 | 25m |
| 50 | 1200658327 | 805007I03M015 | 1.5m |
| 51 | 1200658506 | 803007E03M100 | 10m |
| 52 | 1200658515 | 804007E03M0501H | 5m |
| 53 | 1200658516 | 804007E03M1001H | 10m |
| 54 | 1200658522 | 805007P12M020 | 2m |
| 55 | 1200658567 | 803007E03M010 | 1m |
| 56 | 1200658568 | 803007E03M030 | 3m |
| 57 | 1200658569 | 803007E03M040 | 4m |
| 58 | 1200658572 | 804007E03M040 | 4m |
| 59 | 1200658596 | 803007I03M010 | 1m |
| 60 | 1200658597 | 803007I03M040 | 4m |
| 61 | 1200658598 | 803007I03M100 | 10m |
| 62 | 1200658602 | 804007I03M010 | 1m |
| 63 | 1200658603 | 804007I03M030 | 3m |
| 64 | 1200658604 | 804007I03M040 | 4m |
| 65 | 1200658614 | 803007P03M040 | 4m |
| 66 | 1200658615 | 803007P03M010 | 1m |
| 67 | 1200658618 | 803007P03M100 | 10m |
| 68 | 1200658720 | 803007H09M010 | 1m |
| 69 | 1200658721 | 803007H09M015 | 1.5m |
| 70 | 1200658722 | 803007H09M020 | 2m |

| No. | Part No. | Engineering No. | Cable Length |
|-----|------------|-----------------|--------------|
| 71 | 1200658723 | 803007H09M030 | 3m |
| 72 | 1200658724 | 803007H09M040 | 4m |
| 73 | 1200658725 | 803007H09M050 | 5m |
| 74 | 1200658726 | 803007H09M100 | 10m |
| 75 | 1200658734 | 804007H09M010 | 1m |
| 76 | 1200658735 | 804007H09M015 | 1.5m |
| 77 | 1200658736 | 804007H09M020 | 2m |
| 78 | 1200658737 | 804007H09M030 | 3m |
| 79 | 1200658738 | 804007H09M040 | 4m |
| 80 | 1200658739 | 804007H09M050 | 5m |
| 81 | 1200658740 | 804007H09M100 | 10m |
| 82 | 1200658748 | 805007H09M010 | 1m |
| 83 | 1200658749 | 805007H09M015 | 1.5m |
| 84 | 1200658750 | 805007H09M020 | 2m |
| 85 | 1200658751 | 805007H09M030 | 3m |
| 86 | 1200658752 | 805007H09M040 | 4m |
| 87 | 1200658753 | 805007H09M050 | 5m |
| 88 | 1200658754 | 805007H09M100 | 10m |
| 89 | 1200658757 | 808007H08M020 | 2m |
| 90 | 1200659138 | 805007E03M010 | 1m |
| 91 | 1200659143 | 805007H09M200 | 20m |
| 92 | 1200659146 | 805007E03M200 | 20m |
| 93 | 1200659151 | 805007P03M150 | 15m |
| 94 | 1200659204 | 805007P12M050 | 5m |
| 95 | 1200659230 | 805007P03M010 | 1m |
| 96 | 1200659231 | 805007P03M200 | 20m |
| 97 | 1200659247 | 805007E03M020Y | 2m |
| 98 | 1200659249 | 805007P03M050Y | 5m |
| 99 | 1200659540 | 805007E03M030 | 3m |
| 100 | 1200657164 | 804007P03M003 | 0.3m |
| 101 | 1200657165 | 804007P03M006 | 0.6m |
| 102 | 1200657166 | 804007P03M015 | 1.5m |
| 103 | 1200657167 | 804007P03M150 | 15m |
| 104 | 1200657168 | 804007P03M500 | 50m |
| 105 | 1200657169 | 804007E03M003 | 0.3m |

| No. | Part No. | Engineering No. | Cable Length |
|-----|------------|-----------------|--------------|
| 106 | 1200657170 | 804007E03M015 | 1.5m |
| 107 | 1200657171 | 804007E03M060 | 6m |
| 108 | 1200657172 | 804007E03M080 | 8m |
| 109 | 1200657173 | 804007E03M120 | 12m |
| 110 | 1200657174 | 804007E03M150 | 15m |
| 111 | 1200657175 | 804007E03M300 | 30m |
| 112 | 1200657325 | 804007E03M250 | 25m |
| 113 | | | |
| 114 | | | |
| 115 | | | |
| 116 | | | |
| 117 | | | |
| 118 | | | |
| 119 | | | |
| 120 | | | |
| 121 | | | |
| 122 | | | |
| 123 | | | |
| 124 | | | |
| 125 | | | |
| 126 | | | |
| 127 | | | |
| 128 | | | |
| 129 | | | |
| 130 | | | |
| 131 | | | |
| 132 | | | |
| 133 | | | |
| 134 | | | |
| 135 | | | |
| 136 | | | |
| 137 | | | |
| 138 | | | |
| 139 | | | |
| 140 | | | |

| | | | | | | | | | | | | | |
|---|--|-------|--|--|--|----------------|--|---|--|----------|--|----------|--|
| THIS DRAWING CONTAINS INFORMATION THAT IS PROPRIETARY TO MOLEX ELECTRONIC TECHNOLOGIES, LLC AND SHOULD NOT BE USED WITHOUT WRITTEN PERMISSION | | | | | | | | | | | | | |
| DIMENSION UNITS | | SCALE | | CURRENT REV DESC: NEW P/N ADDED | | | |  | | | | | |
| mm | | 1:1 | | | | | | | | | | | |
| GENERAL TOLERANCES (UNLESS SPECIFIED) | | | | EC NO: 743963 DRWN: RSCHIEBER 2023/03/28 CHK'D: RSILLER 2023/03/28 APPR: RSILLER 2023/03/28 INITIAL REVISION: DRWN: JMARSZALEK 2016/01/14 APPR: RSILLER 2016/04/08 | | | | CSE M12 XP AC MA RA XM SE UNSH | | | | | |
| ANGULAR TOL ± 1.0 ° | | | | | | | | PRODUCT CUSTOMER DRAWING | | | | | |
| 4 PLACES ± | | | | | | | | DOCUMENT NUMBER | | DOC TYPE | | DOC PART | |
| 3 PLACES ± | | | | | | | | 1200659138 | | PSD | | 000 | |
| 2 PLACES ± 0.05 | | | | | | | | REVISION | | A7 | | | |
| 1 PLACE ± 0.3 | | | | MATERIAL NUMBER | | CUSTOMER | | SHEET NUMBER | | | | | |
| 0 PLACES ± 0.5 | | | | SEE PART LIST | | GENERAL MARKET | | 3 OF 3 | | | | | |
| DRAFT WHERE APPLICABLE MUST REMAIN WITHIN DIMENSIONS | | | | THIRD ANGLE PROJECTION | | DRAWING | | SERIES | | | | | |
| | | | |  | | A3-SIZE | | 120065 | | | | | |