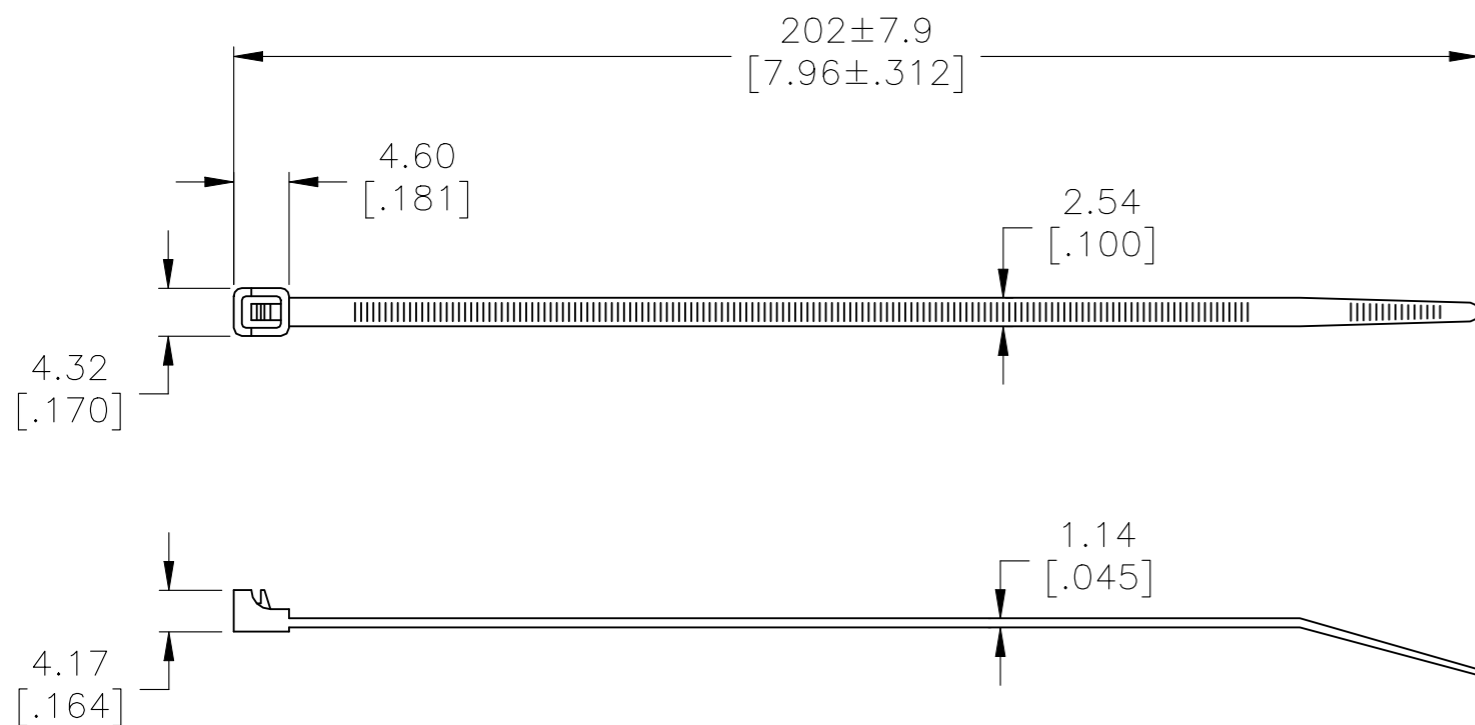



REVISIONS

P	LTR	DESCRIPTION	DATE	DWN	APVD
	G4	REVISED PER ECR-21-121477	21JAN2022	GK	SCD

- 1 PACKAGED IN A HEAT SEALED 3 MIL POLYBAG.
- 2 MAXIMUM BUNDLE DIAMETER: $\phi 50.8$ [$\phi 2.0$].
- 3 MINIMUM TENSILE STRENGTH: 8.165 KG [18 LBS].
- 4 MEETS MIL NO. MS3367-4 REQUIREMENTS.



SUPERSEDED BY 1-608687-0	1000	BLACK	2-608687-0
	1000	NATURAL	2-608687-9
	100	BLACK	1-608687-0
	100	NATURAL	1-608687-9
	QUANTITY/BAG	COLOR	PART NUMBER

THIS DRAWING IS A CONTROLLED DOCUMENT.		DWN JR RUTH 12MAR10	 TE Connectivity															
DIMENSIONS: mm [INCHES]		CHK T MICHELUTTI 12MAR10				NAME CABLE TIE, RELEASABLE, 8 INCHES												
TOLERANCES UNLESS OTHERWISE SPECIFIED:		APVD T MICHELUTTI 12MAR10				PRODUCT SPEC -												
<table border="0"> <tr><td>0 PLC</td><td>± -</td></tr> <tr><td>1 PLC</td><td>± -</td></tr> <tr><td>2 PLC</td><td>± -</td></tr> <tr><td>3 PLC</td><td>± 0.99[.039]</td></tr> <tr><td>4 PLC</td><td>± -</td></tr> <tr><td>ANGLES</td><td>± -</td></tr> </table>		0 PLC				± -	1 PLC	± -	2 PLC	± -	3 PLC	± 0.99[.039]	4 PLC	± -	ANGLES	± -	APPLICATION SPEC -	SIZE A3
0 PLC	± -																	
1 PLC	± -																	
2 PLC	± -																	
3 PLC	± 0.99[.039]																	
4 PLC	± -																	
ANGLES	± -																	
MATERIAL NYLON 6/6		FINISH -	WEIGHT -	CUSTOMER DRAWING		SCALE NONE	SHEET 1 OF 1	REV G4										