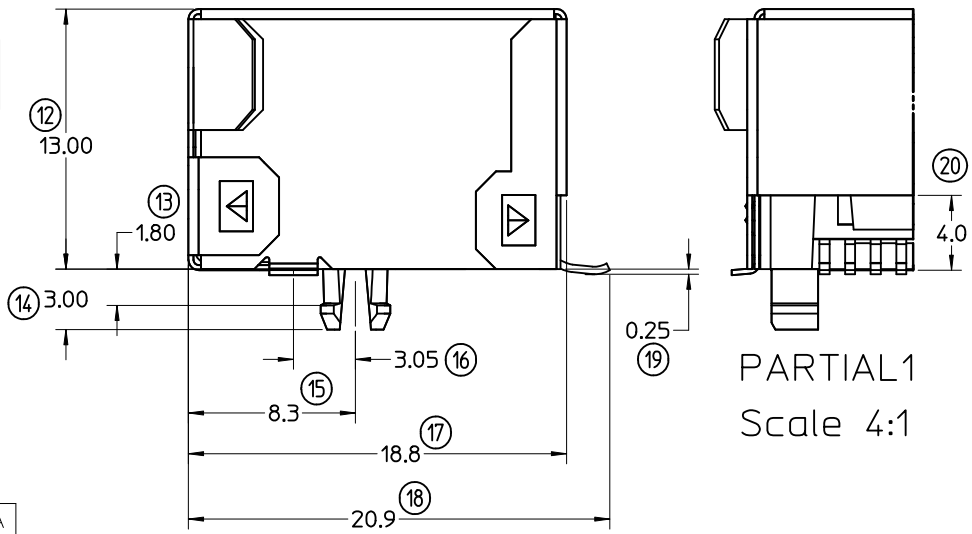
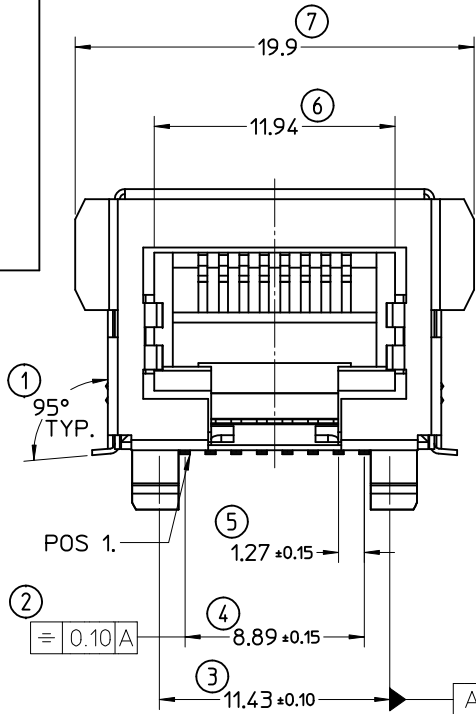
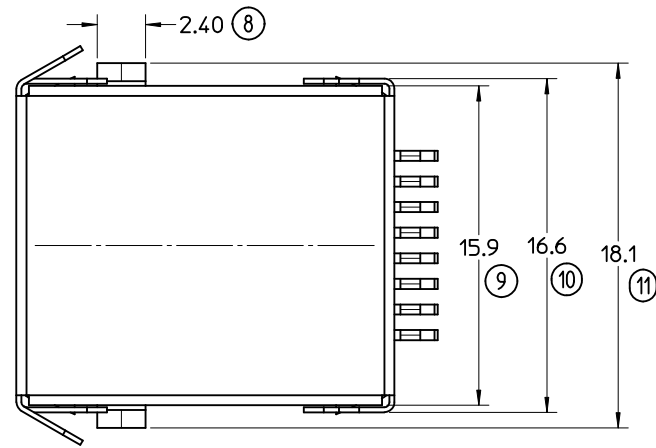


RECOMMENDED P.C.B. LAYOUT
VIEW FROM COMPONENT SIDE.
ALL DIMENSIONS REF DIMENSIONS

PART No.	
95622-4882	



NOTES:

- 1- JACK FOR MATING WITH SHIELDED PLUG (MOLEX 95043 AND 85568 SERIES)
- 2- PRODUCT SPECIFICATION: PS-95622-001
- 3- PACKAGING SPECIFICATION: PK-95122 SHEET 2 (BLISTER ON REEL)
- 4- P.C.B THICKNESS: 1.57
- (21) 5- COPLANARITY OF SIGNAL LEADS: 0.10 MAX

LAST INSPECTION No: 21

TECHNICAL SPECIFICATIONS:

MATERIAL:
HOUSING: LCP GLASS FILLED UL 94V-0
COLOUR BLACK
TERMINAL: COPPER ALLOY PLATED WITH:
BASE FINISH: NICKEL
CONTACT SURFACE FINISH:
GOLD
OR
GOLD FLASH OVER PALLADIUM NICKEL.
EXCEEDS PRODUCT REQUIREMENTS BASED ON PS-95622-001
SHIELD: COPPER ALLOY PLATED WITH TIN.

REMOVE OPTION EC NO: IPG2012-0746 DRAWN: DBYRNES 2012/04/17 CHKD: APPR: EFOLAN 2012/06/26	DESCRIPTION	QUALITY SYMBOLS ▽=0 ◻=0
---	-------------	-------------------------------

GENERAL TOLERANCES (UNLESS SPECIFIED)	
mm	INCH
4 PLACES	± --- ± ---
3 PLACES	± --- ± ---
2 PLACES	± 0.25 ± ---
1 PLACE	± 0.35 ± ---
ANGULAR ± 2 °	
DRAFT WHERE APPLICABLE MUST REMAIN WITHIN DIMENSIONS	

DIMENSION STYLE	
MM ONLY	
DRAWN BY	DATE
DBYRNES	2006/07/27
CHECKED BY	DATE
EOMAHONY	2006/07/28
APPROVED BY	DATE
EOMAHONY	2006/07/28
MATERIAL NO.	
SEE CHART	
SIZE	
A3	

SCALE	DESIGN UNITS	THIRD ANGLE PROJECTION
4:1	METRIC	☉ □
TITLE		
FULLY SHIELDED SMT R/A MODULAR JACKS 8 CKT		
MOLEX INCORPORATED		
DOCUMENT NO.	SHEET NO.	
SD-95622-005	1 OF 1	
THIS DRAWING CONTAINS INFORMATION THAT IS PROPRIETARY TO MOLEX INCORPORATED AND SHOULD NOT BE USED WITHOUT WRITTEN PERMISSION		