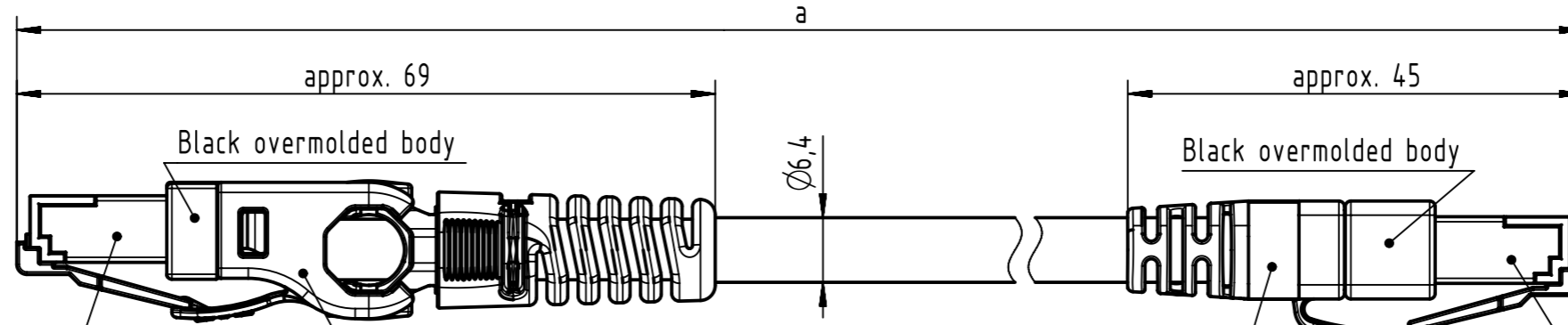
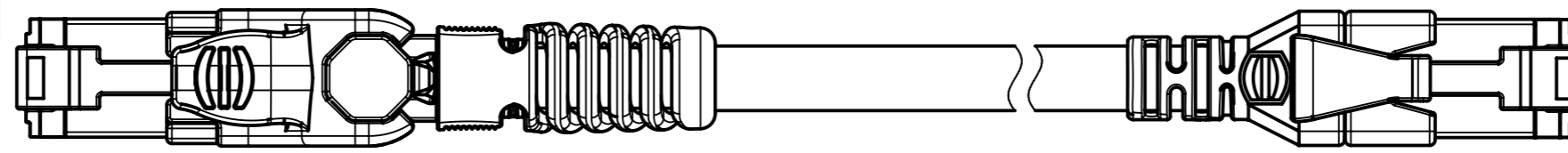


Connector Location A

Connector Location B



IP20 RJ45 VarioBoot Cat. 6A, preferred direction LEFT and RIGHT

Yellow protection latch with HARTING logo

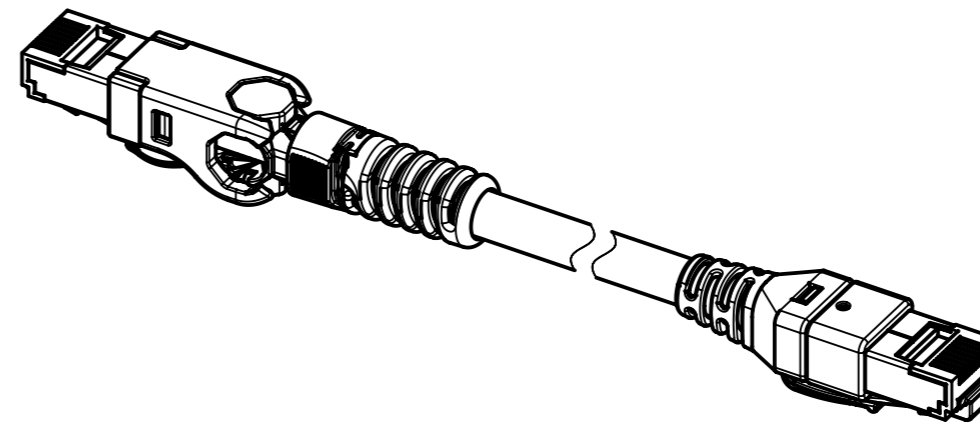
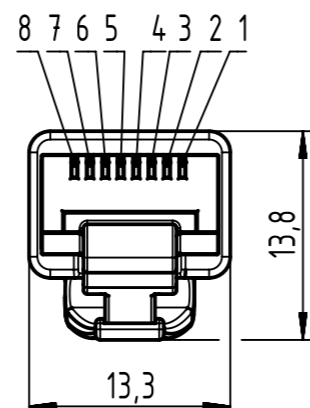
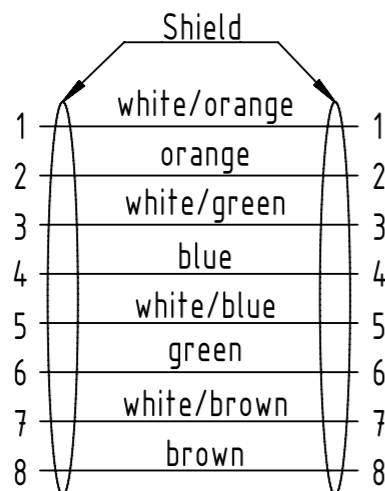
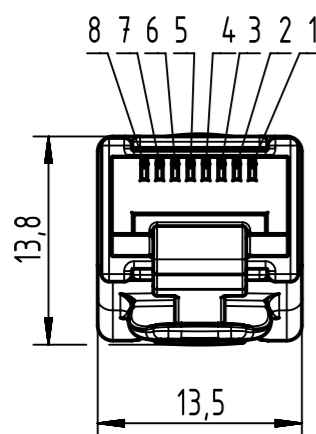
Yellow protection latch with HARTING logo

IP20 RJ45 DualBoot Cat. 6A, 8-pole

X male

Loading Plan acc. to TIA/EIA 568B

Y male



length in "1m" step	45	XXX=450
	44	XXX=440
length in "0.1m" step	12	XXX=120
	11	XXX=110
	10	XXX=100
	9.9	XXX=099
	9.8	XXX=098
	0.5	XXX=005
	0.4	XXX=004
	0.3	XXX=003
	0.2	XXX=002
Step	a [m]	XXX

6.0 to 45	±1%
0.6 to 5.9	+0.04
0.2 to 0.5	+0.02
a [m]	Tolerance

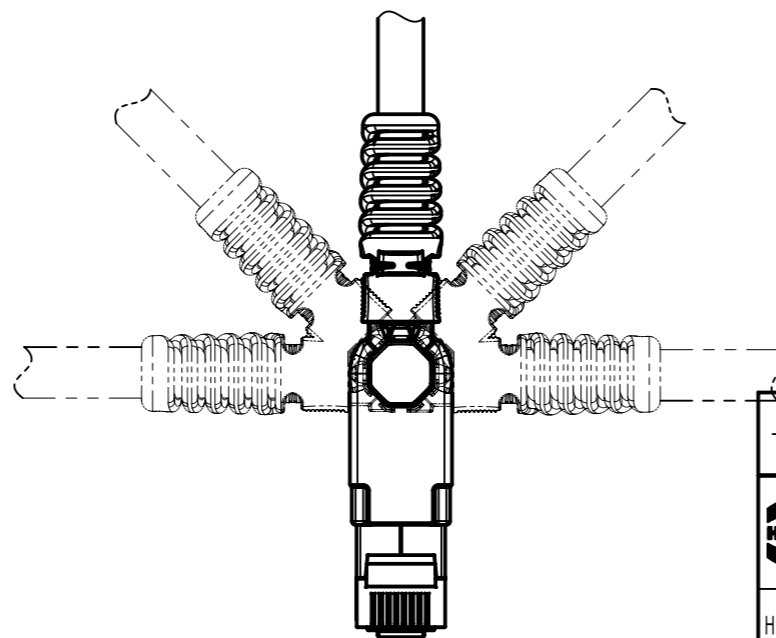
4x2xAWG 26/7, S/FTP, PUR, Cat.7, yellow	09488547745XXX
Type of cable	Part no.

NOTE:

- Direction of the cable outlet can be changed up to 20x for the VarioBoot
- Mating face RJ45 acc. to IEC 60603-7 for both connectors

Temperature range:

- Fixed installation: -30°C ... +75°C
- Dynamic installation: -5°C ... +50°C



All Dimensions in mm		Tech. Character.		Free size tol.		According to production drawing	
All rights reserved		Created by BANIUD Banciu	Inspected by COSTEA Costea	Standardisation MUNTEANV Muntean	Date 2020-04-06	State Final Release	
Department HCS - RO		Title VarioBoot RJ45 LaR - DualBoot Cat.6A				Doc-Key / ECM-Nr. 100796625/UGD/000/D 500000170403	
HARTING Customised Solutions D-32339 Espelkamp		Type TB	Number 09488547745XXX			Rev. D	Page 1/1