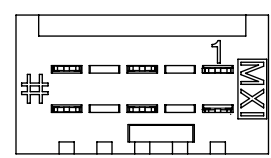
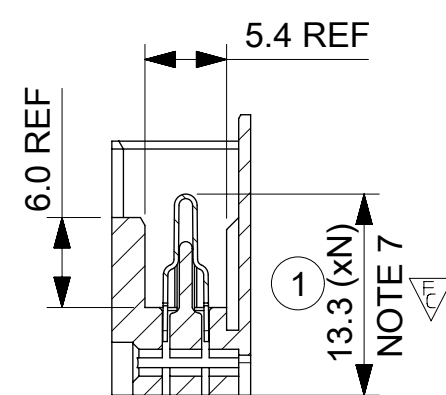
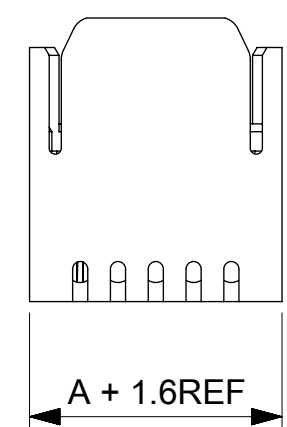
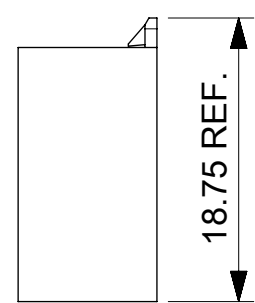
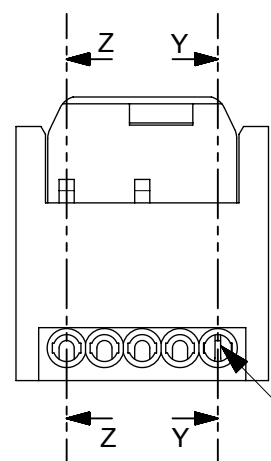
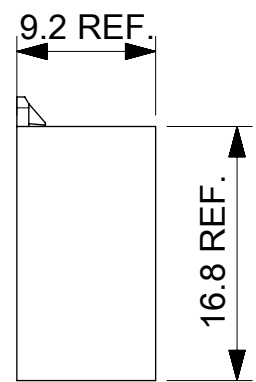
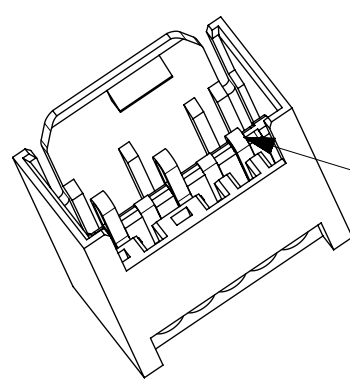
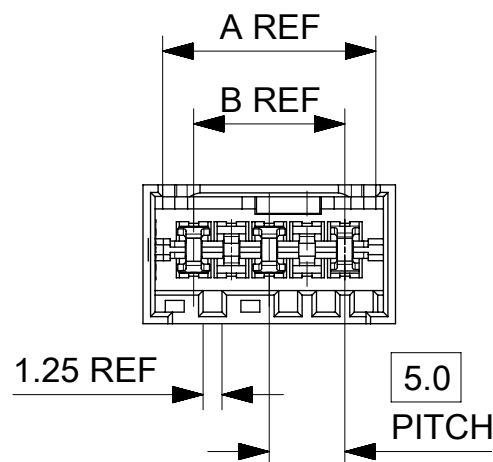
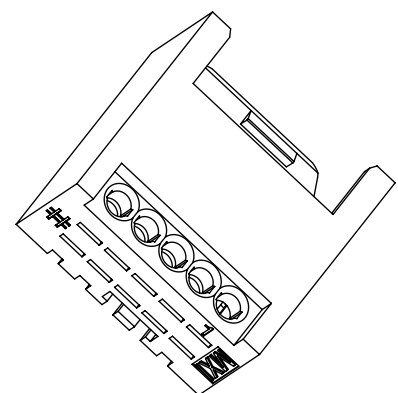


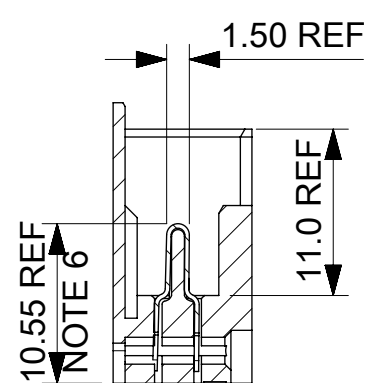
4000012329

3 CIRCUIT CONNECTOR SHOWN

CKT	A	B
2	10.1	5.0
3	15.1	10.0
4	20.1	15.0
5	25.1	20.0
6	30.1	25.0
7	35.1	30.0
8	40.1	35.0



CIRCUIT 1
NOTE 6



SECTION Z-Z

SECTION Y-Y

- NOTES:
- MATERIALS
HOUSING: POLYAMIDE 6 (PA6)
UL94-V2. COLOUR NATURAL
TERMINAL: COPPER ALLOY
PLATING: PRE PLATED HOT TIN DIP
 - PRODUCT CONFORMS TO SPECIFICATION PS-99020-0090.
 - MATES WITH RAST 2.5 APPLIMATE FEMALE CONNS.
 - SEE PACKAGING PK-93422-001
 - CONNECTOR DESIGNED FOR USE WITH PANEL 0.80MM TO 0.90MM THICKNESS.
 - TERMINATED HEIGHT. CIRCUIT 1 SHOWN IN TERMINATED POSITION ONLY FOR PURPOSE OF DIMENSIONING TERMINATED HEIGHT POSITION.
 - TERMINAL PRE-TERMINATED HEIGHT. N=NUMBER OF CIRCUITS.
 - SEE APPLICATION SPEC AS-99033-010.
 - CONNECTOR DESIGNED TO RAST 2.5 STANDARD.

LAST INSPECTION NUMBER: 1

THIS DRAWING CONTAINS INFORMATION THAT IS PROPRIETARY TO MOLEX ELECTRONIC TECHNOLOGIES, LLC AND SHOULD NOT BE USED WITHOUT WRITTEN PERMISSION									
DIMENSION UNITS	SCALE	CURRENT REV DESC: DOC TYPE UPDATED							
mm	2:1								
GENERAL TOLERANCES (UNLESS SPECIFIED)									
ANGULAR TOL	± 0.5°	EC NO: 608137 DRWN: AKABADI 2018/11/23 CHK'D: TCLEARY 2018/12/10 APPR: DRYAN 2018/12/11							
4 PLACES	±	WIRE TO WIRE HEADER ASSEMBLY FLYING HEADER 5MM PITCH 0.22-0.38MM ² CABLE							
3 PLACES	±								
2 PLACES	± 0.05	PRODUCT CUSTOMER DRAWING							
1 PLACE	± 0.1	INITIAL REVISION:				DOCUMENT NUMBER			
0 PLACES	±	DRWN: TJMURPHY 2016/03/21				934250001			
DRAFT WHERE APPLICABLE MUST REMAIN WITHIN DIMENSIONS		THIRD ANGLE PROJECTION		DRAWING		SERIES		CUSTOMER	
				A3-SIZE		93425		GENERAL MARKET	
								SHEET NUMBER	
								1 OF 2	

DOCUMENT STATUS	P1	RELEASE DATE	2018/12/11	17:38:17
-----------------	----	--------------	------------	----------

2 Circuit			
MOLEX PART NO.	MOLEX HSG PART NO.	BLOCKED POSITION KEYS	CONFIGURATION (SEE NOTES)
93425-0001	93429-0301	NONE	
93425-0008	93429-0302	c d	

5 Circuit			
MOLEX PART NO.	MOLEX HSG PART NO.	BLOCKED POSITION KEYS	CONFIGURATION (SEE NOTES)
93425-3001	93429-0901	NONE	

8 Circuit			
MOLEX PART NO.	MOLEX HSG PART NO.	BLOCKED POSITION KEYS	CONFIGURATION (SEE NOTES)
93425-6001	93429-1501	NONE	

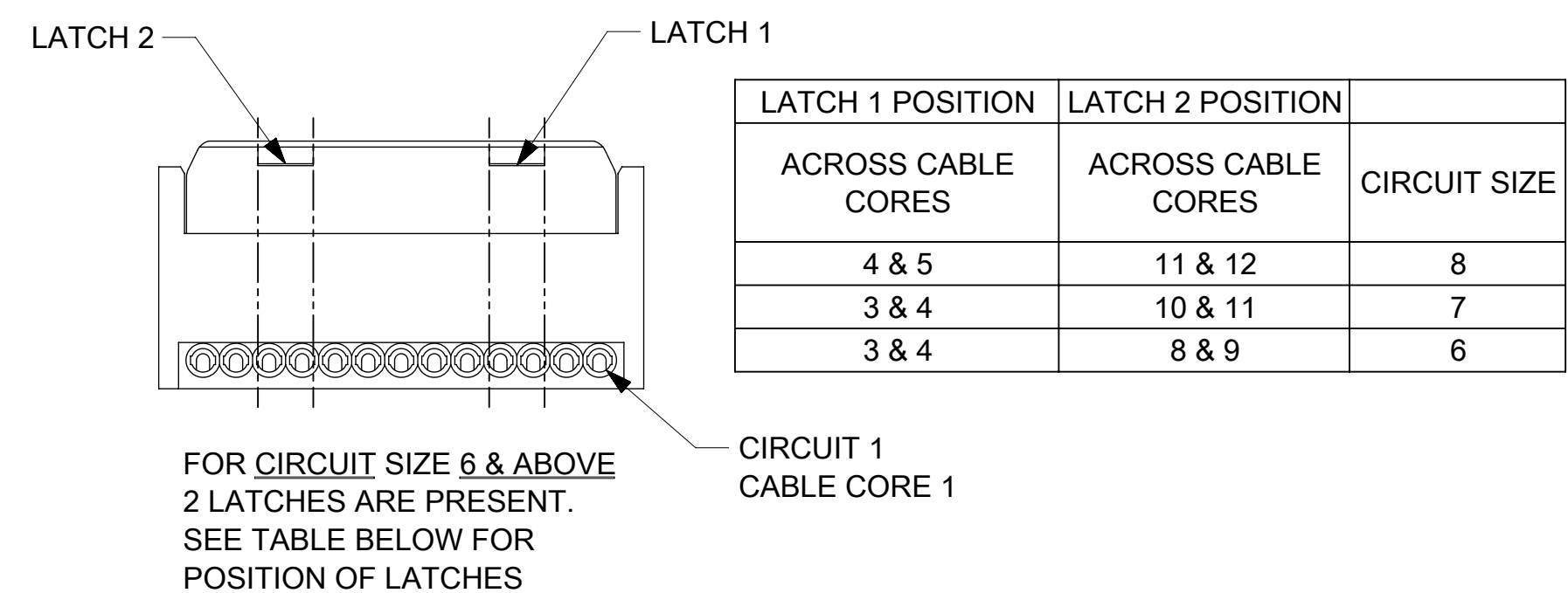
3 Circuit			
MOLEX PART NO.	MOLEX HSG PART NO.	BLOCKED POSITION KEYS	CONFIGURATION (SEE NOTES)
93425-1001	93429-0501	NONE	

6 Circuit			
MOLEX PART NO.	MOLEX HSG PART NO.	BLOCKED POSITION KEYS	CONFIGURATION (SEE NOTES)
93425-4001	93429-1101	NONE	

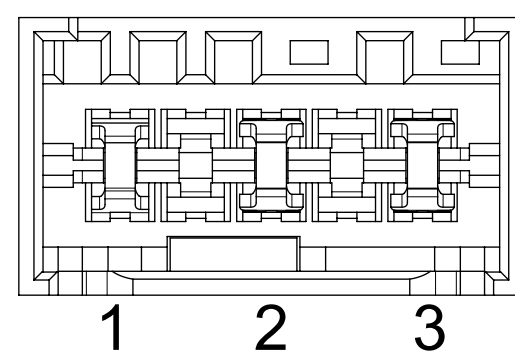
4 Circuit			
MOLEX PART NO.	MOLEX HSG PART NO.	BLOCKED POSITION KEYS	CONFIGURATION (SEE NOTES)
93425-2001	93429-0701	NONE	

7 Circuit			
MOLEX PART NO.	MOLEX HSG PART NO.	BLOCKED POSITION KEYS	CONFIGURATION (SEE NOTES)
93425-5001	93429-1301	NONE	

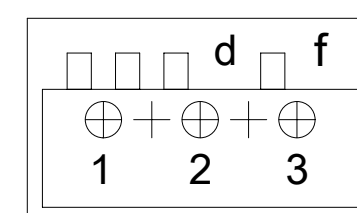
EXAMPLE CIRCUIT SIZE 7 SHOWN BELOW



abcdef



CODING IDENTIFICATION
(3 CKT EXAMPLE WITH
CODING KEYS D & F BLOCKED)
VIEW IN MATING DIRECTION



NOTES:

- ⊕ DENOTES LOADED TERMINAL POSITION
+ DENOTES VOIDED TERMINAL POSITION
- MOLEX HOUSING NUMBER FOR REFERENCE ONLY

THIS DRAWING CONTAINS INFORMATION THAT IS PROPRIETARY TO MOLEX ELECTRONIC TECHNOLOGIES, LLC AND SHOULD NOT BE USED WITHOUT WRITTEN PERMISSION

DIMENSION UNITS	SCALE	CURRENT REV DESC: DOC TYPE UPDATED	
mm	4:1		
GENERAL TOLERANCES (UNLESS SPECIFIED)			
ANGULAR TOL	± 0.5°	EC NO: 608137	
4 PLACES	±	DRWN: AKABADI	2018/11/23
3 PLACES	±	CHK'D: TCLEARY	2018/12/10
2 PLACES	± 0.05	APPR: DRYAN	2018/12/11
1 PLACE	± 0.1	INITIAL REVISION:	
0 PLACES	±	DRWN: TJMURPHY	2016/03/21
DRAFT WHERE APPLICABLE MUST REMAIN WITHIN DIMENSIONS		APPR: BRUTTLE	2016/06/13
THIRD ANGLE PROJECTION		DRAWING	SERIES
		A1-SIZE	93425
DOCUMENT NUMBER		CUSTOMER	SHEET NUMBER
934250001		GENERAL MARKET	2 OF 2
DOC TYPE DOC PART REVISION			
PSD 000 D			

molex

WIRE TO WIRE HEADER ASSEMBLY
FLYING HEADER 5MM PITCH 0.22-0.38MM² CABLE

PRODUCT CUSTOMER DRAWING

DOCUMENT NUMBER | DOC TYPE | DOC PART | REVISION

934250001 | PSD | 000 | D

MATERIAL NUMBER | CUSTOMER

SEE CHARTS | GENERAL MARKET

2 OF 2