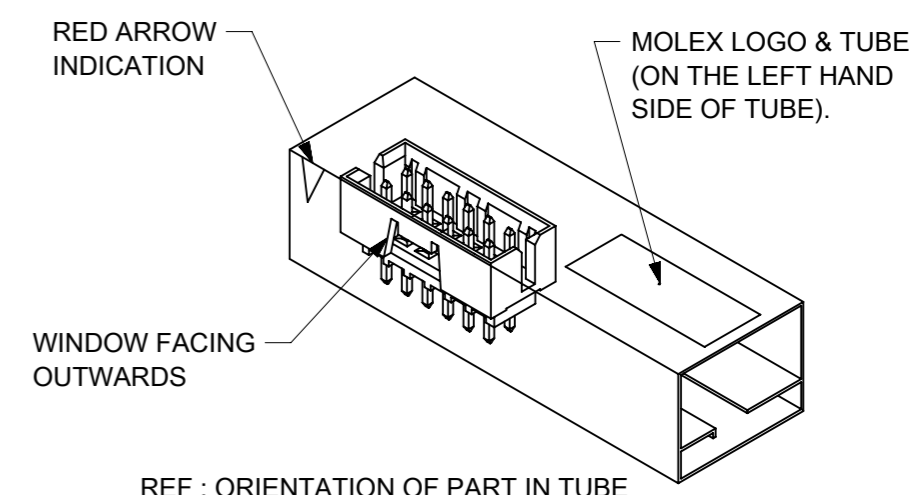
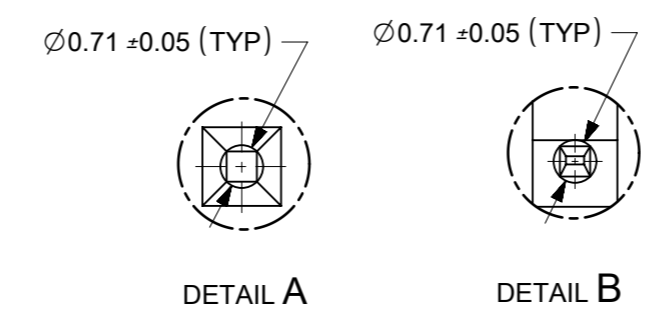
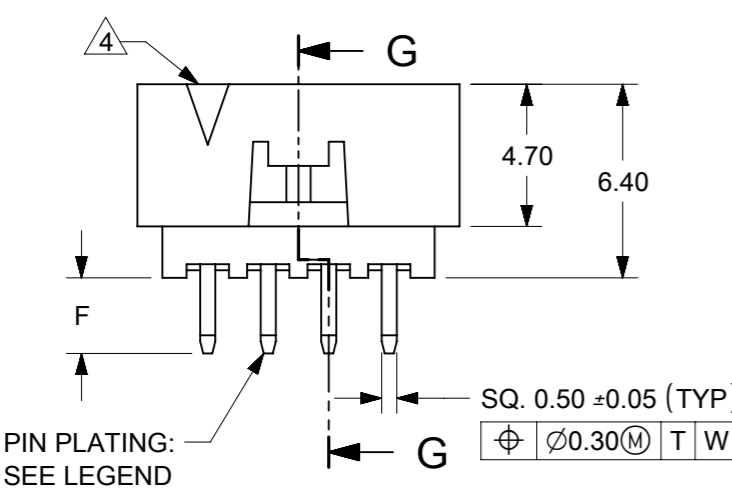


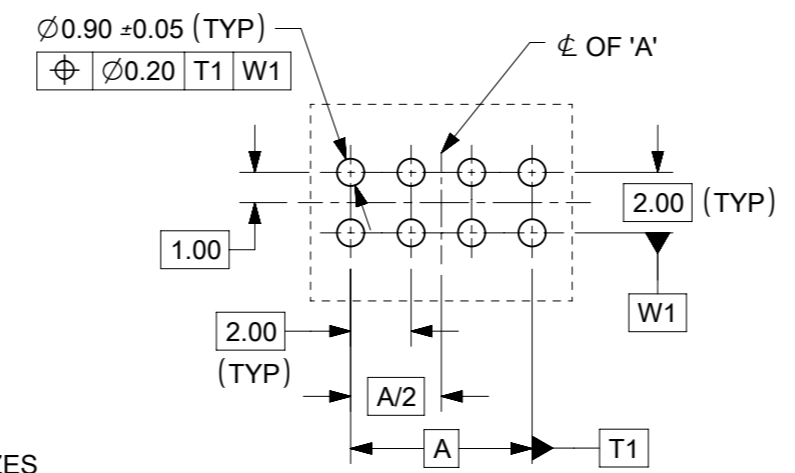
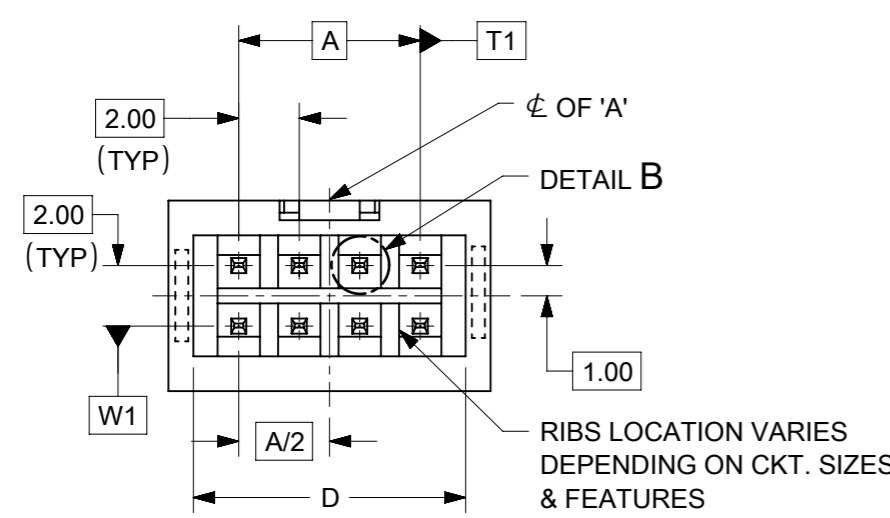
P/N IN TUBE	CKT SIZE	VOID PIN	DIMENSION					
			A	B	C	D	E	F
87831-7242	10	3	8.00	10.85	12.65	11.00	4.00	2.50
87831-53**	12	1	10.00	12.85	14.65	13.00	5.00	2.50
87831-56**	12	10	10.00	12.85	14.65	13.00	5.00	2.50



REF : ORIENTATION OF PART IN TUBE
(FOR THE REFERENCE OF PART/TUBE ASSEMBLY)



- NOTES:**
- FOR ILLUSTRATION PURPOSES, 8 CIRCUIT SIZE WAFER IS SHOWN.
 - MATERIAL :
HOUSING : GLASS-FILLED, NYLON, UL94V-0, COLOR BLACK.
PIN : 0.50mm SQ. PHOSPHOR BRONZE.
 - PRODUCT SPECIFICATION PS-87831-027 APPLIES.
 - CKT 4 & 6 HAS NO IDENTIFICATION TAG.
 - THIS HEADER MATES WITH MOLEX :
a) CRIMP RECEPTACLE HOUSING, 51110 SERIES WITH CRIMP TERMINAL, 50394 SERIES.
b) 2mm MILLIGRID DUAL ROW IDT, 87568 SERIES.
 - PARTS TO BE PACKED IN TUBE WITH MOISTURE BARRIER BAG.
 - NO CENTRE POLARIZATION SLOT FOR CKT SIZE 4 AND 6.
 - PACKAGING SPECIFICATION :
FOR TUBE : PK-87831-001



PART NUMBER LEGEND :

87831 - * * * *
CIRCUIT SIZE
(SEE TABLE)

PLATING OPTIONS

OPTION 1	41 - 0.38µm/15µin GOLD IN CONTACT AREA AND 1.88µm/75µin MIN. TIN IN SOLDER TAIL AREA OVER 1.27µm/50µin MIN. NICKEL OVERALL.
OPTION 2	42 - 0.76µm/30µin GOLD IN CONTACT AREA AND 1.88µm/75µin MIN. TIN IN SOLDER TAIL AREA OVER 1.27µm/50µin MIN. NICKEL OVERALL.

THIS DRAWING CONTAINS INFORMATION THAT IS PROPRIETARY TO MOLEX ELECTRONIC TECHNOLOGIES, LLC AND SHOULD NOT BE USED WITHOUT WRITTEN PERMISSION

DATE	BY	GENERAL TOLERANCES (UNLESS SPECIFIED)		DIMENSION UNITS		SCALE		MOLEX®					
		MM	INCH	MM	NTS	MM	NTS						
2019/05/15	2019/07/09	4 PLACES	±	±	MM	NTS	DRWN BY	DATE	MGRID, SHROUDED HEADER VERTICAL, W/LOCK FEATURE				
2019/07/09	2019/07/09	3 PLACES	±	±	ATSEE	2003/10/03	CHK'D BY	DATE					
		2 PLACES	±	0.2	±	±	KCLING	2003/11/07	PRODUCT CUSTOMER DRAWING				
		1 PLACES	±	±	±	±	APPR BY	DATE					
		0 PLACES	±	±	±	±	SKTOH	2003/11/07	SERIES: 87831 MATERIAL NUMBER: SEE TABLE CUSTOMER: GENERAL MARKET				
		ANGULAR TOL = 3.0		DRAWING SIZE	THIRD ANGLE PROJECTION								
		DRAFT WHERE APPLICABLE MUST REMAIN WITHIN DIMENSIONS		A3									
RELEASE STATUS	P1	RELEASE DATE	2019/07/09	06:47:15	DOCUMENT NUMBER	SD-87831-012		DOC TYPE	PSD	DOC PART	001	SHEET NUMBER	1 OF 2

BOARD TO BOARD (BTB) DISTANCE

HEADER	MATES WITH (RECEPTACLE)	BTB DIST.	PICTORIAL VIEW
87831	79107	6.94	
	78787	6.94	
	79108	6.94	
	79109	7.15	
	78788	7.15	

THIS DRAWING CONTAINS INFORMATION THAT IS PROPRIETARY TO MOLEX ELECTRONIC TECHNOLOGIES, LLC AND SHOULD NOT BE USED WITHOUT WRITTEN PERMISSION											
DIMENSION UNITS		SCALE		CURRENT REV DESC: ADDED BTB DIST.						molex	
mm		NTS									
GENERAL TOLERANCES (UNLESS SPECIFIED)				EC NO: 619055		2019/05/15		MGRID, SHROUDED HEADER VERTICAL, W/LOCK FEATURE			
4 PLACES		±		DRWN: HK02		2019/07/09					
3 PLACES		±		CHK'D: NMANE02		2019/07/09		PRODUCT CUSTOMER DRAWING			
2 PLACES		± 0.2		APPR: MRAMAKRISHNA		2019/07/09					
1 PLACE		±		INITIAL REVISION:				DOCUMENT NUMBER: SD-87831-012			
0 PLACES		±		DRWN: DRWN BY		XXXX/XX/XX					
ANGULAR TOL		± 3.0°		APPR: APPR BY		XXXX/XX/XX		REVISION: B8			
DRAFT WHERE APPLICABLE MUST REMAIN WITHIN DIMENSIONS				THIRD ANGLE PROJECTION		DRAWING: A3-SIZE		SERIES: 87831		MATERIAL NUMBER: GENERAL MARKET	
								CUSTOMER: GENERAL MARKET		SHEET NUMBER: 2 OF 2	