

MATERIALS AND FINISHES

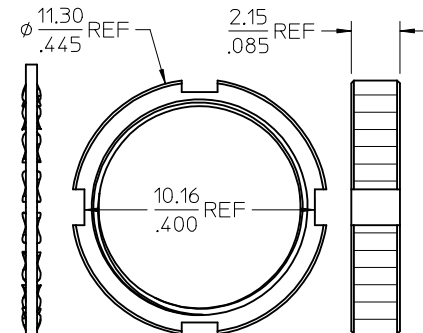
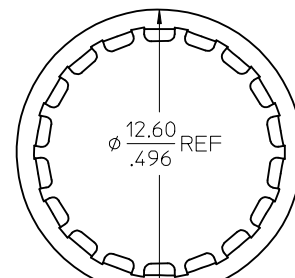
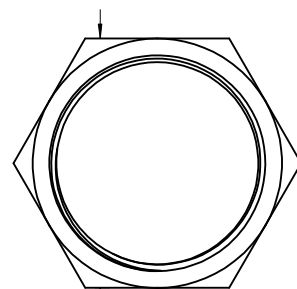
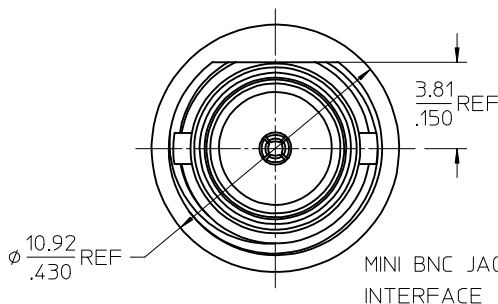
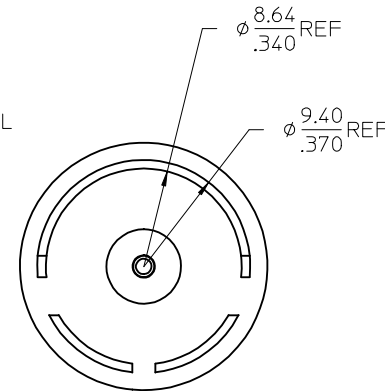
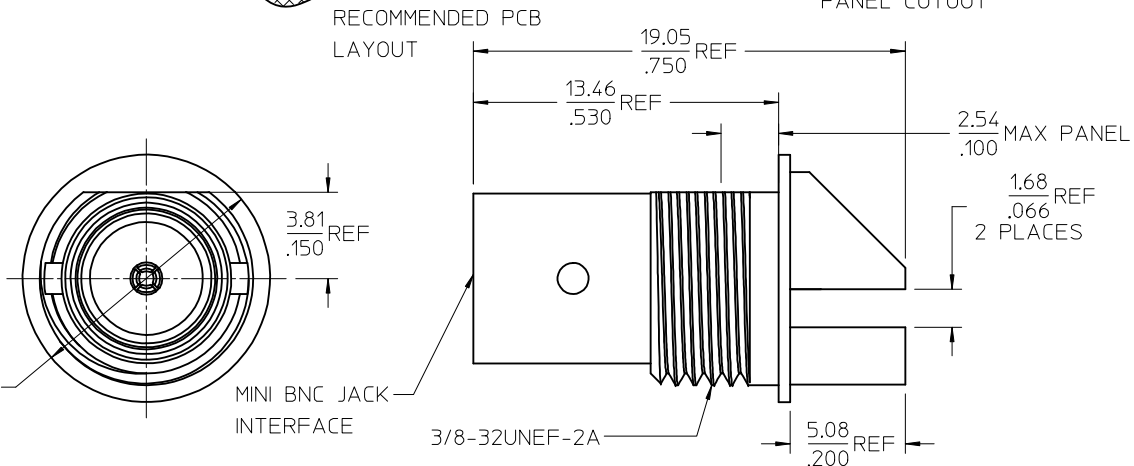
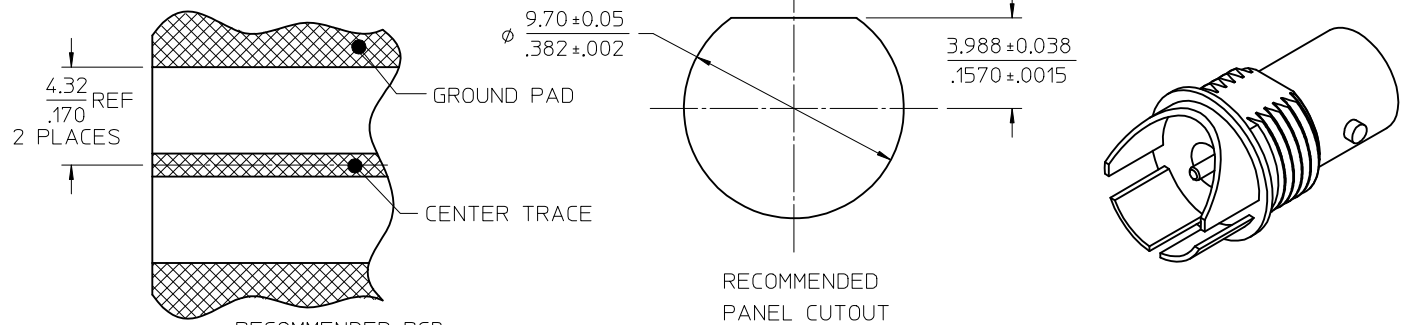
BODY: BRASS  
PLATED SEE TABLE

CENTER CONTACT: BERYLLIUM COPPER  
PLATED GOLD

INSULATOR: TEFLON

JAM NUT, SPANNER NUT: BRASS  
PLATED NICKEL

LOCKWASHER: PHOSPHOR BRONZE  
PLATED NICKEL



11.00 REF  
.433 REF  
HEX  
JAM NUT  
(SEE TABLE)

2.15 REF  
.085  
LOCKWASHER  
0.50 REF  
.020

SPANNER NUT  
(SEE TABLE)

PS-89675-3500	INTERFACE
SPECIFICATION	DESCRIPTION

73171-2744	NICKEL/TRAY; SPANNER NUT
73171-2743	GOLD/TRAY; SPANNER NUT
73171-2742	73171-2741, ONE PER BAG; STANDARD NUT
73171-2741	NICKEL/TRAY; STANDARD NUT
73171-2740	GOLD/TRAY; STANDARD NUT
PART NO.	PLATING/PACKAGING

CHG: CORRECTED 73171-2740/4743/44 TRAY WAS BULK PER RF15-E327	EC NO: URF2016-0218	DRW: WCE102	2015/09/16	2015/09/18
CHKD: APPR: YCHENG	DESCRIPTION			
REV: A3				

QUALITY SYMBOLS	GENERAL TOLERANCES (UNLESS SPECIFIED)
▽=0	mm INCH
▽=0	4 PLACES ± --- ± ---
	3 PLACES ± --- ± ---
	2 PLACES ± --- ± ---
	1 PLACE ± --- ± ---
	ANGULAR ± 2 °
	DRAFT WHERE APPLICABLE MUST REMAIN WITHIN DIMENSIONS

DIMENSION STYLE		SCALE	DESIGN UNITS	THIRD ANGLE PROJECTION
MM/IN			METRIC	
DRAWN BY	DATE	TITLE		
JM	2005/11/21	MINI BNC JACK, BULKHEAD EDGEMOUNT, PCB, 75 OHMS EWR-2953, MINI BNC-J/PCB		
CHECKED BY	DATE	MOLEX INCORPORATED		
JM	2005/11/21	MATERIAL NO. SEE TABLE		
APPROVED BY	DATE	DOCUMENT NO. SD-73171-274		
JDW	2005/11/21	SHEET NO. 1 OF 1		

MATERIAL NO.		DOCUMENT NO.	SHEET NO.
SEE TABLE		SD-73171-274	1 OF 1
THIS DRAWING CONTAINS INFORMATION THAT IS PROPRIETARY TO MOLEX INCORPORATED AND SHOULD NOT BE USED WITHOUT WRITTEN PERMISSION			