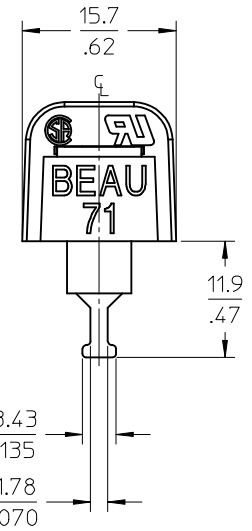
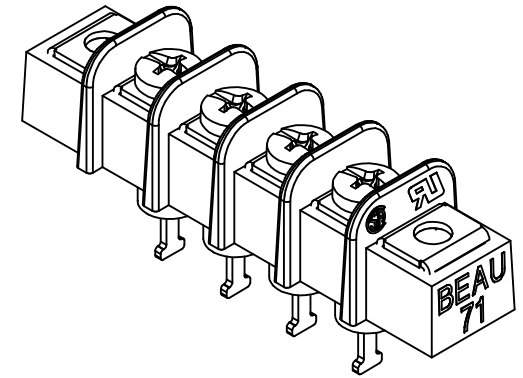
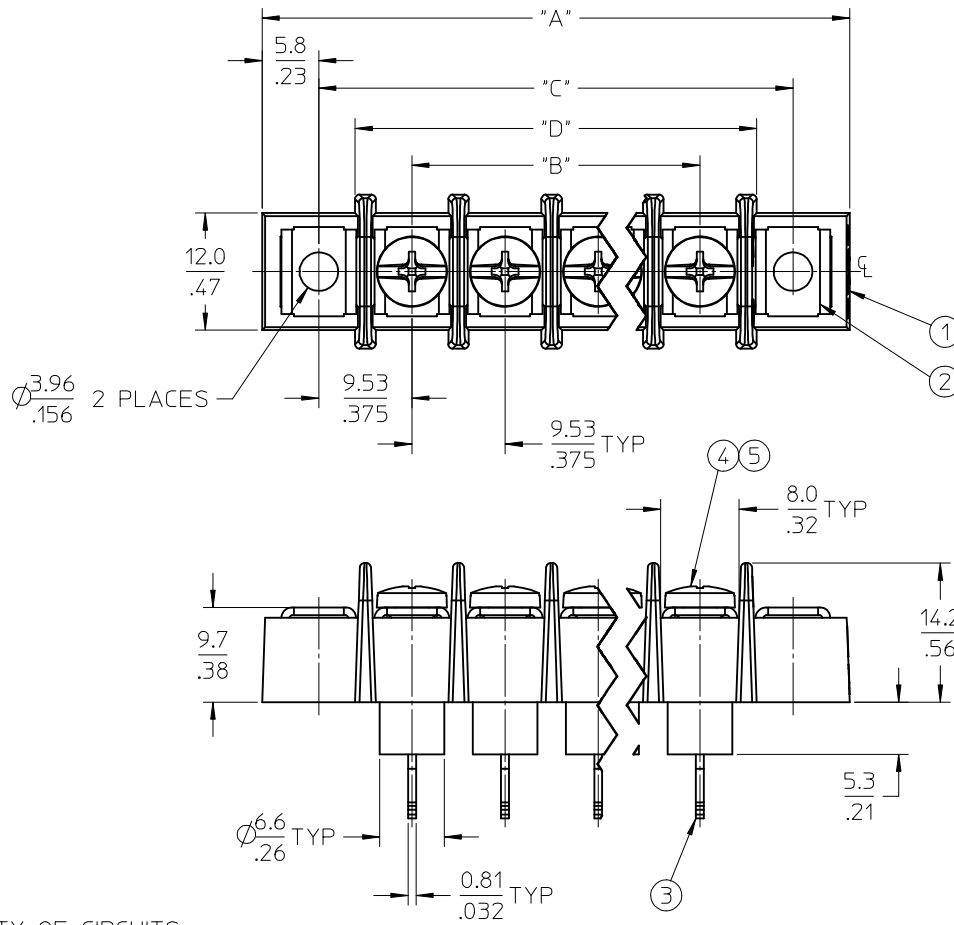


REF. -50 OPT. SCREW
(WHERE APPLICABLE)



NOTES:

1. MATERIAL: SEE TABLE
2. FINISHES: SEE TABLE
3. "XX" REFERS TO THE QUANTITY OF CIRCUITS.
4. ASSEMBLY IS ROHS COMPLIANT.

| | | | | |
|------|------|--|-----------------|--------------------|
| 6 | XX | SCREW&WASHER,#6-32X.25,PAN,PH/SL (-50 OPT) | STEEL | ZN, CLEAR CHROMATE |
| 5 | XX | SCREW,#6-32X.25,BHD,PH/SL (-49 OPT) | BRASS | NICKEL PLATE |
| 4 | XX | SCREW,#6-32X.25,BHD,PH/SL (STANDARD) | STEEL | ZN, CLEAR CHROMATE |
| 3 | XX | TERMINAL, TURRET | BRASS | TIN PLATE |
| 2 | 2 | PLATE, MOUNTING | BRASS | NICKEL PLATE |
| 1 | 1 | INSULATOR, SINGLE ROW, INSL. BASE | POLYESTER (PBT) | BLACK |
| ITEM | QTY. | DESCRIPTION | MATERIAL | FINISH |

| | |
|---|--------------------------|
| INITIAL RELEASE EC NO: WNAZ009-0043 DRAWN: C. YORK 2008/09/22 CHKD: R. DEROSS 2008/09/22 APPR: R. DEROSS 2008/09/22 | QUALITY SYMBOLS |
| | $\nabla=0$ $\nabla=0$ |
| | DESCRIPTION |
| | REV |

| |
|---|
| GENERAL TOLERANCES (UNLESS SPECIFIED) |
| mm INCH 4 PLACES ± --- ± --- 3 PLACES ± --- ± .005 2 PLACES ± 0.13 ± .01 1 PLACE ± 0.3 ± --- ANGULAR ± 2 ° |
| DRAFT WHERE APPLICABLE MUST REMAIN WITHIN DIMENSIONS |

| | | | |
|-----------------|------------|--|------------------------|
| DIMENSION STYLE | SCALE | DESIGN UNITS | THIRD ANGLE PROJECTION |
| MM/IN | 2:1 | INCH | |
| DRAWN BY | DATE | TITLE | |
| C. YORK | 2008/09/02 | 9.53/.375 SR BTS, SDR. TURRET ASSY, INSL. BASE | |
| CHECKED BY | DATE | Molex MOLEX INCORPORATED DOCUMENT NO. SD-38710-004 SHEET NO. 1 OF 2 | |
| R. DEROSS | 2008/09/02 | | |
| APPROVED BY | DATE | MATERIAL NO. | |
| R. DEROSS | 2008/09/02 | SEE SHT. 2 | |

| NO. OF CIRCUITS | DIM. "A" | | DIM. "B" | | DIM. "C" | | DIM. "D" | | ASSEMBLY MATERIAL NO. (STANDARD) | ASSEMBLY MATERIAL NO. (-49 OPTION) | ASSEMBLY MATERIAL NO. (-50 OPTION) |
|-----------------|----------|-------|----------|-------|----------|--------|----------|------|----------------------------------|------------------------------------|------------------------------------|
| | mm | in | mm | in | mm | in | mm | in | | | |
| 02 | 40.1 | 1.58 | 9.53 | .375 | 28.58 | 1.125 | 21.1 | .83 | 387103202 | 387103502 | 387103802 |
| 03 | 49.7 | 1.96 | 19.05 | .750 | 38.10 | 1.500 | 30.7 | 1.21 | 387103203 | 387103503 | 387103803 |
| 04 | 59.2 | 2.33 | 28.58 | 1.125 | 47.63 | 1.875 | 40.2 | 1.58 | 387103204 | 387103504 | 387103804 |
| 05 | 68.7 | 2.71 | 38.10 | 1.500 | 57.15 | 2.250 | 49.7 | 1.96 | 387103205 | 387103505 | 387103805 |
| 06 | 78.2 | 3.08 | 47.63 | 1.875 | 66.68 | 2.625 | 59.2 | 2.33 | 387103206 | 387103506 | 387103806 |
| 07 | 87.8 | 3.46 | 57.15 | 2.250 | 76.20 | 3.000 | 68.8 | 2.71 | 387103207 | 387103507 | 387103807 |
| 08 | 97.3 | 3.83 | 66.68 | 2.625 | 85.73 | 3.375 | 78.3 | 3.08 | 387103208 | 387103508 | 387103808 |
| 09 | 106.8 | 4.21 | 76.20 | 3.000 | 95.25 | 3.750 | 87.8 | 3.46 | 387103209 | 387103509 | 387103809 |
| 10 | 116.3 | 4.58 | 85.73 | 3.375 | 104.78 | 4.125 | 97.3 | 3.83 | 387103210 | 387103510 | 387103810 |
| 11 | 125.9 | 4.96 | 95.25 | 3.750 | 114.30 | 4.500 | 106.9 | 4.21 | 387103211 | 387103511 | 387103811 |
| 12 | 135.4 | 5.33 | 104.78 | 4.125 | 123.83 | 4.875 | 116.4 | 4.58 | 387103212 | 387103512 | 387103812 |
| 13 | 144.9 | 5.71 | 114.30 | 4.500 | 133.35 | 5.250 | 125.9 | 4.96 | 387103213 | 387103513 | 387103813 |
| 14 | 154.4 | 6.08 | 123.83 | 4.875 | 142.88 | 5.625 | 135.4 | 5.33 | 387103214 | 387103514 | 387103814 |
| 15 | 164.0 | 6.46 | 133.35 | 5.250 | 152.40 | 6.000 | 145.0 | 5.71 | 387103215 | 387103515 | 387103815 |
| 16 | 173.5 | 6.83 | 142.88 | 5.625 | 161.93 | 6.375 | 154.5 | 6.08 | 387103216 | 387103516 | 387103816 |
| 17 | 183.0 | 7.21 | 152.40 | 6.000 | 171.45 | 6.750 | 164.0 | 6.46 | 387103217 | 387103517 | 387103817 |
| 18 | 192.5 | 7.58 | 161.93 | 6.375 | 180.98 | 7.125 | 173.5 | 6.83 | 387103218 | 387103518 | 387103818 |
| 19 | 202.1 | 7.96 | 171.45 | 6.750 | 190.50 | 7.500 | 183.1 | 7.21 | 387103219 | 387103519 | 387103819 |
| 20 | 211.6 | 8.33 | 180.98 | 7.125 | 200.03 | 7.875 | 192.6 | 7.58 | 387103220 | 387103520 | 387103820 |
| 21 | 221.1 | 8.71 | 190.50 | 7.500 | 209.55 | 8.250 | 202.1 | 7.96 | 387103221 | 387103521 | 387103821 |
| 22 | 230.6 | 9.08 | 200.03 | 7.875 | 219.08 | 8.625 | 211.6 | 8.33 | 387103222 | 387103522 | 387103822 |
| 23 | 240.2 | 9.46 | 209.55 | 8.250 | 228.60 | 9.000 | 221.2 | 8.71 | 387103223 | 387103523 | 387103823 |
| 24 | 249.7 | 9.83 | 219.08 | 8.625 | 238.13 | 9.375 | 230.7 | 9.08 | 387103224 | 387103524 | 387103824 |
| 25 | 259.2 | 10.21 | 228.60 | 9.000 | 247.65 | 9.750 | 240.2 | 9.46 | 387103225 | 387103525 | 387103825 |
| 26 | 268.7 | 10.58 | 238.13 | 9.375 | 257.18 | 10.125 | 249.7 | 9.83 | 387103226 | 387103526 | 387103826 |

| | | | | | | | | |
|---|---|--|---|-----------------|---|------------------------------------|--|---|
| SEE SHEET 1 EC NO: WNAZ009-0043 DRAWN BY: C. YORK CHKD: RDEROSS APPR: RDEROSS | DESCRIPTION 2008/09/22 2008/09/22 2008/09/22 | QUALITY SYMBOLS | GENERAL TOLERANCES (UNLESS SPECIFIED) | DIMENSION STYLE | SCALE | DESIGN UNITS | THIRD ANGLE PROJECTION | |
| | | ▽=0 ▽=0 | mm INCH 4 PLACES ± --- ± --- 3 PLACES ± --- ± .005 2 PLACES ± 0.13 ± .01 1 PLACE ± 0.3 ± --- ANGULAR ± 2 ° | MM/IN | 1:1 | INCH | C. YORK 2008/09/02 R. DEROSS 2008/09/02 R. DEROSS 2008/09/02 | TITLE 9.53/.375 SR BTS, SDR. TURRET ASSY, INSUL. BASE |
| | | DRAFT WHERE APPLICABLE MUST REMAIN WITHIN DIMENSIONS | SEE CHART | MATERIAL NO. | DOCUMENT NO. | MOLEX INCORPORATED SD-38710-004 | | SHEET NO. |
| | | | | SIZE B | THIS DRAWING CONTAINS INFORMATION THAT IS PROPRIETARY TO MOLEX INCORPORATED AND SHOULD NOT BE USED WITHOUT WRITTEN PERMISSION | | | |