

THIS DRAWING CONTAINS INFORMATION THAT IS PROPRIETARY TO MOLEX ELECTRONIC TECHNOLOGIES, LLC AND SHOULD NOT BE USED WITHOUT WRITTEN PERMISSION

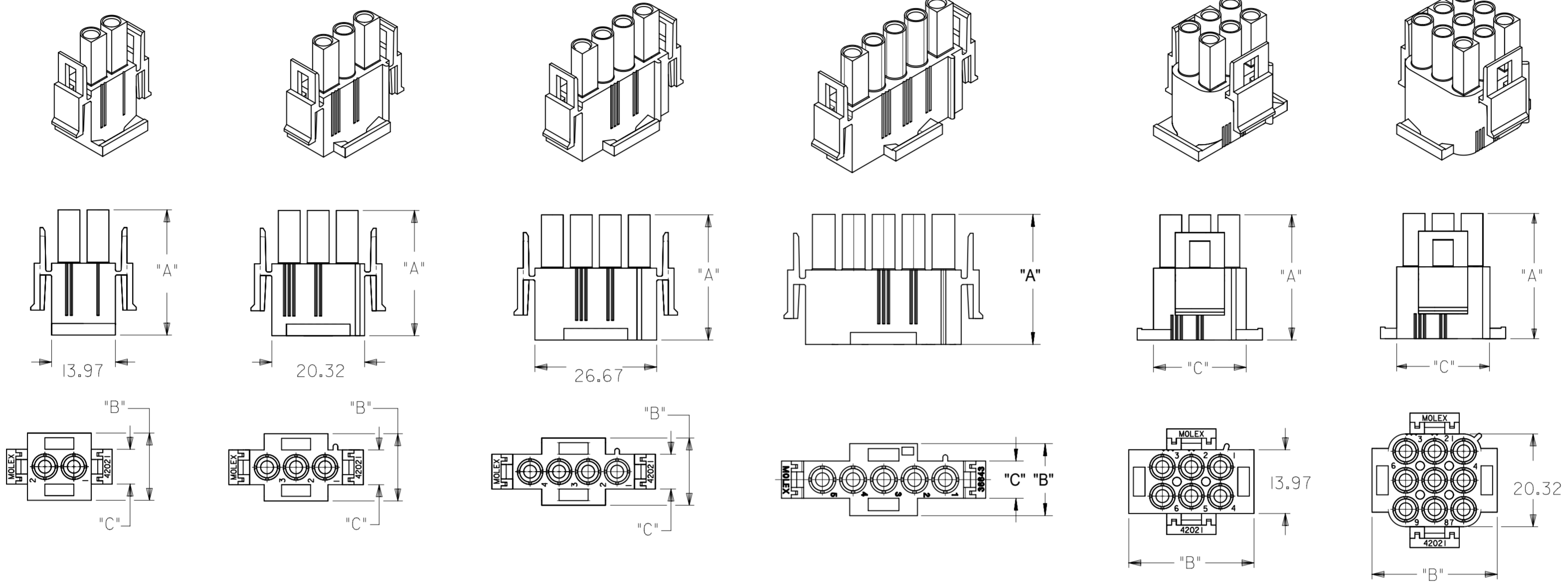
DIMENSION UNITS		SCALE		CURRENT REV DESC: MIGRATED TO ECTR			
MM		1:1		<p>molex</p> <p>HOUSING, PLUG 2.13 DIA. SERIES</p> <p>PRODUCT CUSTOMER DRAWING</p>			
GENERAL TOLERANCES (UNLESS SPECIFIED)							
	MM	INCH					
4 PLACES	±		±				
3 PLACES	±		± 0.1				
2 PLACES	± 0.25		± 0.14				
1 PLACE	± 0.36		±				
0 PLACES	±		±				
ANGULAR TOL		± °		INITIAL REVISION:			
DRAFT WHERE APPLICABLE MUST REMAIN WITHIN DIMENSIONS		THIRD ANGLE PROJECTION		DRAWING		SERIES	
		A2-SIZE		42021		42021	
DOCUMENT NUMBER		DOC TYPE		DOC PART		REVISION	
420210000		PSD		000		A	
MATERIAL NUMBER		CUSTOMER		SHEET NUMBER			
SEE TABLE OF SHEET 2		GENERAL MARKET		1 OF 2			

PART NO.	CIRCUIT SIZE	MATERIAL (SEE NOTE 1)	DIM "A"	DIM "B"	DIM "C"
050-84-1010	1	A	27.69	7.37	--
050-84-1015	1	C			
050-84-1020	2	A	27.61	14.73	7.62
050-84-1025	2	C			
050-84-1030	3	A	27.61	14.73	7.62
050-84-1035	3	C			
050-84-1040	4	A	27.61	14.73	7.62
050-84-1045	4	C			
050-84-1060	6	A	27.61	27.43	20.32
050-84-1065	6	C			
050-84-1090	9	A	27.61	27.43	20.32
050-84-1095	9	C			
050-84-1120	12	A	27.61	27.43	20.32
050-84-1125	12	C			
050-84-1150	15	A	27.61	27.43	20.32
050-84-1155	15	C			
366480001	1	D	27.43	7.37	--
366480002	2	D		14.73	7.62
366480003	3	D			
366480004	4	D			
366480005	6	D	27.43	27.43	20.32
366480006	9	D			
366480007	12	D			
366480008	15	D			

NOTES:

- 1) MATERIAL CODES:
 "A"= NYLON TYPE 6/6, 94V-2
 COLOR: NATURAL (WHITE/TRANSLUCENT)
 "C"= NYLON TYPE 6/6, 94V-0
 COLOR: NATURAL (WHITE)
 "D"= NYLON 94V-2
 COLOR: BLACK (ZYTEL 101F)
- 2) UNLESS OTHERWISE INDICATED, DIMENSIONS ARE FOR REFERENCE ONLY.
- 3) PLUG HOUSINGS MATE WITH:
 -CAP HOUSINGS, 2.13 DIA. SERIES: (42022-****)
 -HEADER ASSEMBLY HOUSINGS,
 2.13 DIA. SERIES: (A-42002-****)
- 4) HOUSINGS DESIGNED TO BE USED WITH TERMINALS:
 -PINS, 2.13 DIA. SERIES: (42023-****)
 -SOCKETS, 2.13 DIA. SERIES: (42024-****)
- 5) CONTACTS ARE ON 6.35 GRID CENTERLINE SPACING.
- 6) PRODUCT SPECIFICATION PS-42022-0001 APPLIES.
- 7) FOR GLOW WIRE COMPATIBLE PART NUMBERS REFER DOCUMENT NO SD-36643-009.

THIS DRAWING CONTAINS INFORMATION THAT IS PROPRIETARY TO MOLEX ELECTRONIC TECHNOLOGIES, LLC AND SHOULD NOT BE USED WITHOUT WRITTEN PERMISSION									
DIMENSION UNITS		SCALE		CURRENT REV DESC: MIGRATED TO ECTR				molex	
MM		1:1							
GENERAL TOLERANCES (UNLESS SPECIFIED)				EC NO: 178202				HOUSING, PLUG 2.13 DIA. SERIES	
				DRWN: RLALSANGI 2018/02/26					
4 PLACES		±		CHK'D: NCSR		2018/07/12		PRODUCT CUSTOMER DRAWING	
3 PLACES		±	0.1	APPR: NCSR		2018/07/12			
2 PLACES		±	0.25	INITIAL REVISION:				DOCUMENT NUMBER	
1 PLACE		±	0.36	DRWN: RK		1987/11/16		420210000	
0 PLACES		±		APPR: GWF		1987/11/16		PSD 000 A	
ANGULAR TOL		±	°	THIRD ANGLE PROJECTION		DRAWING		SERIES	
DRAFT WHERE APPLICABLE MUST REMAIN WITHIN DIMENSIONS						A2-SIZE		42021	
MATERIAL NUMBER		CUSTOMER		SHEET NUMBER					
SEE TABLE OF SHEET 2		GENERAL MARKET		2 OF 2					



PRE-RELEASE
REFERENCE
USE ONLY

THIS DRAWING CONTAINS INFORMATION THAT IS PROPRIETARY TO MOLEX ELECTRONIC TECHNOLOGIES, LLC AND SHOULD NOT BE USED WITHOUT WRITTEN PERMISSION										
DIMENSION UNITS		SCALE		CURRENT REV DESC: REMOVED OBSOLETE PART NUMBER AS PER PCN#509450.						
mm		1:1		<p>molex</p> <p>HOUSING, PLUG 2.13 DIA. SERIES</p> <p>PRODUCT CUSTOMER DRAWING</p>						
GENERAL TOLERANCES (UNLESS SPECIFIED)										
	MM	INCH								
4 PLACES	±		±							
3 PLACES	±		±							
2 PLACES	± 0.25		±	EC NO: 694111	2022/01/25					
1 PLACE	± 0.36		±	DRWN: SUGEEB	2022/03/31					
0 PLACES	±		±	CHK'D: GGA	2022/03/31					
ANGULAR TOL ± °				APPR: GGA	2022/03/31					
DRAFT WHERE APPLICABLE MUST REMAIN WITHIN DIMENSIONS				INITIAL REVISION:		DOCUMENT NUMBER				
THIRD ANGLE PROJECTION				DRWN: MRAMAKRISHNA		SD-36643-009		DOC TYPE	DOC PART	REVISION
DRAWING				APPR: KPRASAD		PSD		001	C1	
A2-SIZE				SERIES		MATERIAL NUMBER		CUSTOMER		SHEET NUMBER
36643				SEE SHEET 2		GENERAL MARKET		1 OF 2		

DOCUMENT STATUS	P1	RELEASE DATE	2022/03/31	10:33:08
-----------------	----	--------------	------------	----------

PART NO.	CIRCUIT SIZE	MATERIAL (SEE NOTE 1)	DIM "A"	DIM "B"	DIM "C"
366430002	2	E	27.61	14.73	7.62
366430003	3	E	27.61	14.73	7.62
366430004	4	E	27.61	14.73	7.62
366430010	5	E	27.61	14.73	7.62
366430005	6	E	27.61	27.43	20.32
366430006	9	E	27.61	27.43	20.32

NOTES:

- MATERIAL CODE
"E"= NYLON 94V-2
COLOUR : NATURAL
GLOW WIRE COMPATIBLE WITH CTI OF 325 VOLTS, ACCORDING TO IEC 60335-4TH EDITION
- UNLESS OTHERWISE INDICATED, DIMENSIONS ARE FOR REFERENCE ONLY
- PLUG HOUSINGS MATE WITH:
- CAP HOUSINGS, 2.13 DIA. SERIES 36644(SD-36644-009)
- HEADER ASSEMBLY, 2.13 DIA. SERIES 36757(SD-36757-0002)
- HOUSING DESIGNED TO BE USED WITH TERMINALS:
- PINS, 2.13 DIA. SERIES 42023
- SOCKETS, 2.13 DIA. SERIES 42024
- CONTACTS ARE ON 6.35 GRID CENTERLINE SPACING
- PRODUCT SPECIFICATION PS-42022-0001 APPLIES

PRE-RELEASE
REFERENCE
USE ONLY

THIS DRAWING CONTAINS INFORMATION THAT IS PROPRIETARY TO MOLEX ELECTRONIC TECHNOLOGIES, LLC AND SHOULD NOT BE USED WITHOUT WRITTEN PERMISSION													
DIMENSION UNITS		SCALE		CURRENT REV DESC: REMOVED OBSOLETE PART NUMBER AS PER PCN#509450.				molex					
mm		1:1											
GENERAL TOLERANCES (UNLESS SPECIFIED)				EC NO: 694111 DRWN: SUGEEB 2022/01/25 CHK'D: GGA 2022/03/31 APPR: GGA 2022/03/31 INITIAL REVISION: DRWN: MRAMAKRISHNA 2013/01/30 APPR: KPRASAD 2013/03/11				HOUSING, PLUG 2.13 DIA. SERIES		PRODUCT CUSTOMER DRAWING			
4 PLACES		±						DOCUMENT NUMBER		SD-36643-009		DOC TYPE	
3 PLACES		±						PSD		001		REVISION	
2 PLACES		± 0.25						MATERIAL NUMBER		SEE SHEET 2		SHEET NUMBER	
1 PLACE		± 0.36						CUSTOMER		GENERAL MARKET		2 OF 2	
0 PLACES		±											
ANGULAR TOL		± °											
DRAFT WHERE APPLICABLE MUST REMAIN WITHIN DIMENSIONS				THIRD ANGLE PROJECTION		DRAWING		SERIES					
				A2-SIZE		36643							

DOCUMENT STATUS	P1	RELEASE DATE	2022/03/31	10:33:08
-----------------	----	--------------	------------	----------