

UNIT FADER

SKU:U123



Description

UNIT FADER is a Slide Potentiometer with color indicator, **employ a 35mm slide potentiometer** + **14x SK6812 programmable RGB lights**. The fader has its own **center point positioning**, and excellent slide appliances for stable, reliable performance and precise control. The integrated beads support digital addressing, which means you can adjust the brightness and color of each LED light. The product is suitable for lighting, music control, and other applications.

Product Features

- With center point positioning
- Excellent damping
- Single connection 10kΩ adjustable resistor
- Programmable RGB lights
- GROVE interface
- Development Platform:
 - Arduino, UIFlow

Include

- 1x UNIT FADER
- 1x HY2.0-4P Cable

Application

- Human-machine interaction
- Light and music control
- Adjustment switch

Specification

Specification	Parameter
Fader stroke	35mm
Fader handle length	10mm
Single resistor	10kΩ
RGB LED	14x SK6812 Programmable RGB Lamp
Working current	90.04mA (Lighting brightness configuration 50%, fader maximum output)
Net weight	15.5g
Gross weight	30g
Product size	40.3 * 14 * 12.2mm
Packing size	64 * 24 * 24mm

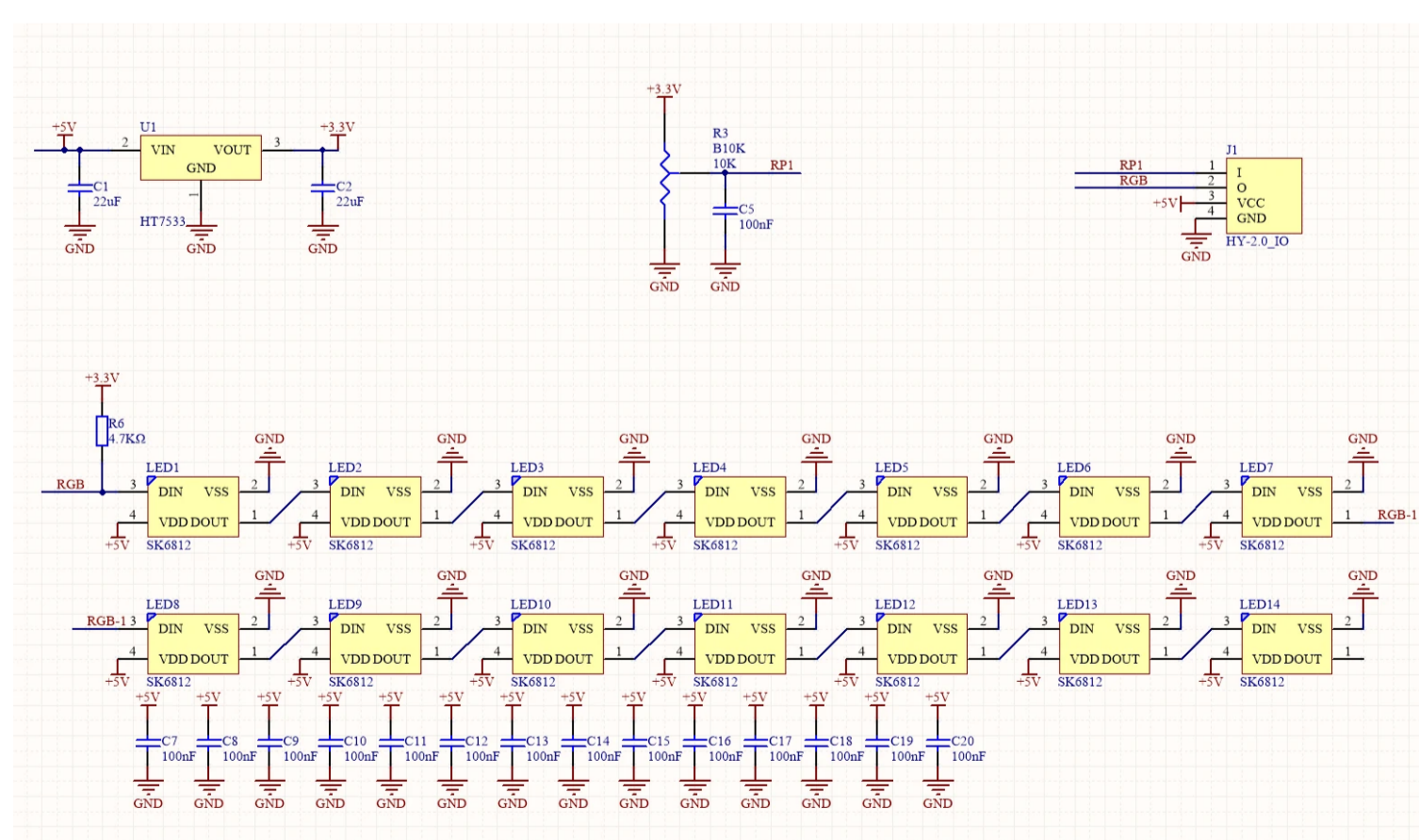
Related Links

- [ESP32 ADC DOCS](#)
- [FastLED Github](#)

PinMap

M5Core(PORT B)	G36	G26	5V	GND
UNIT FADER	VAULE-INPUT	SK6812-SIGNAL	VIN	GND

Schematic



Example

| Video
