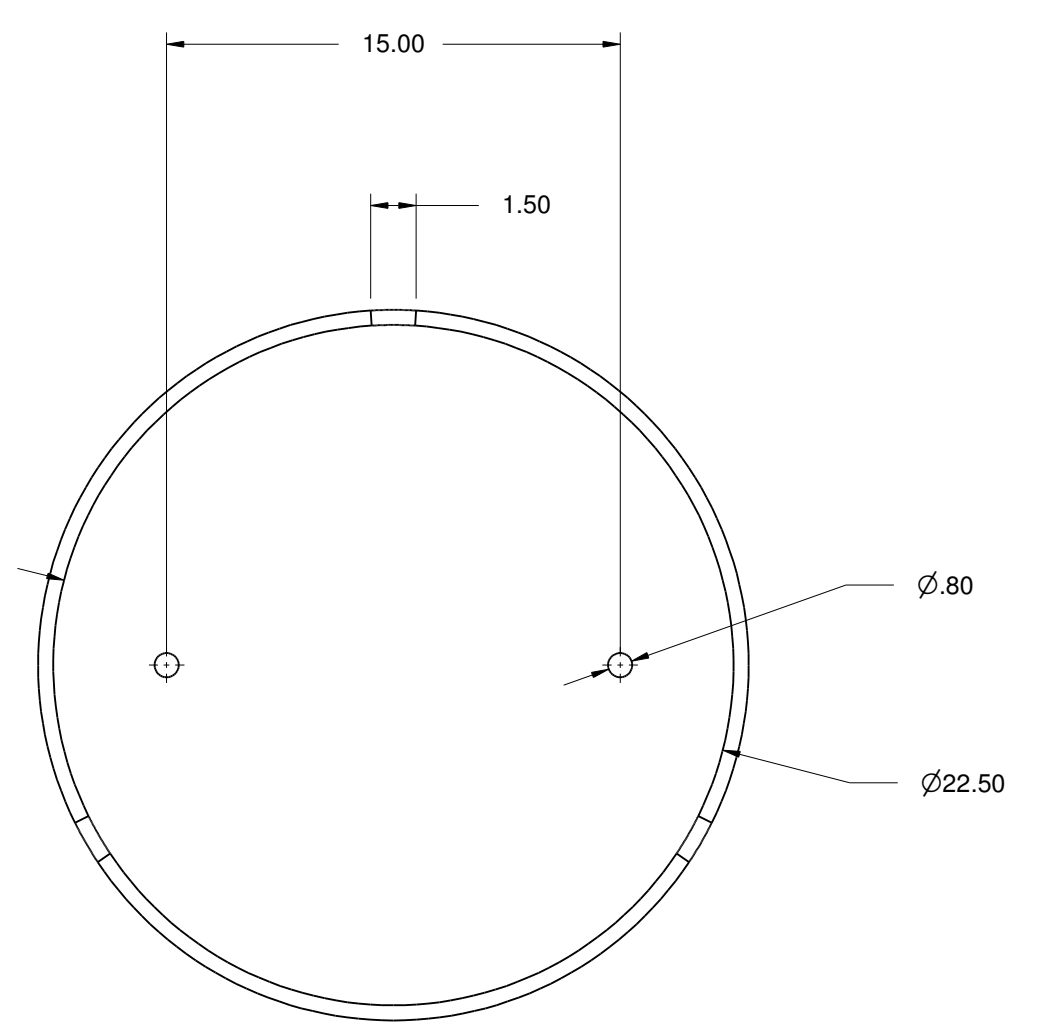
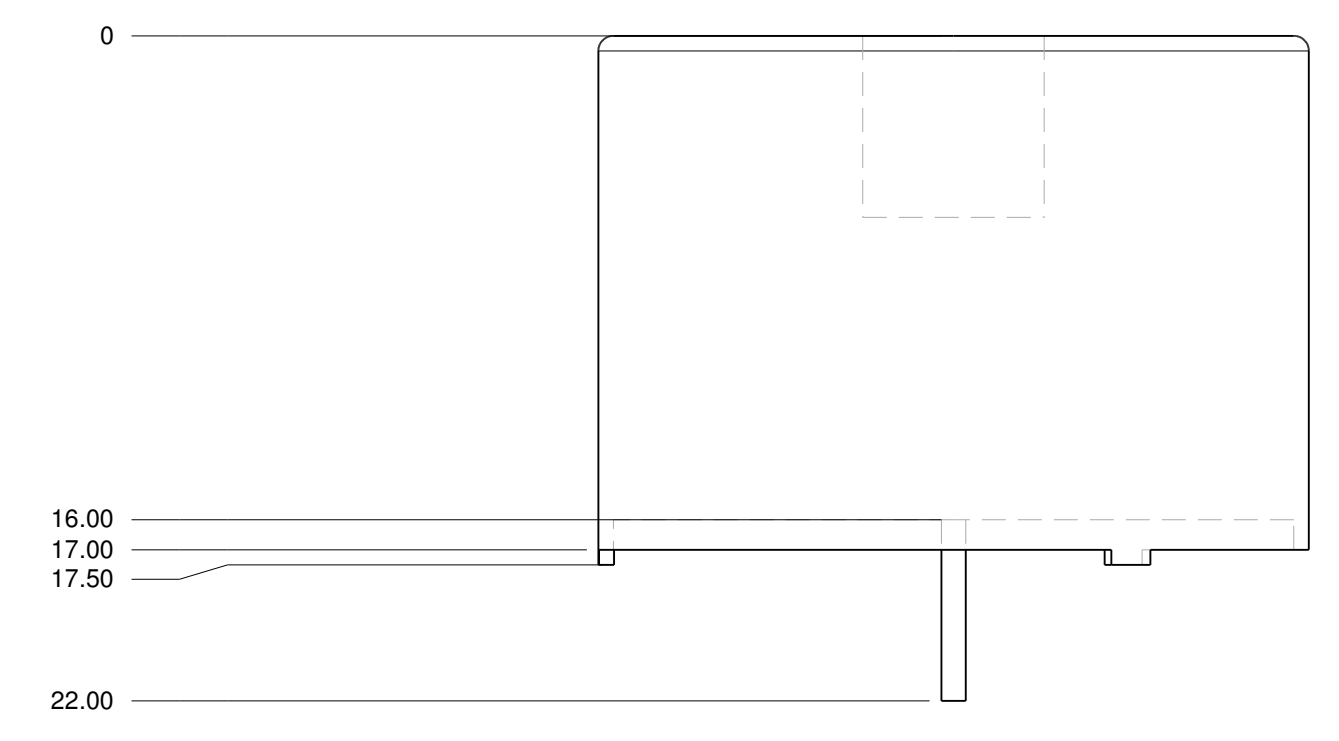
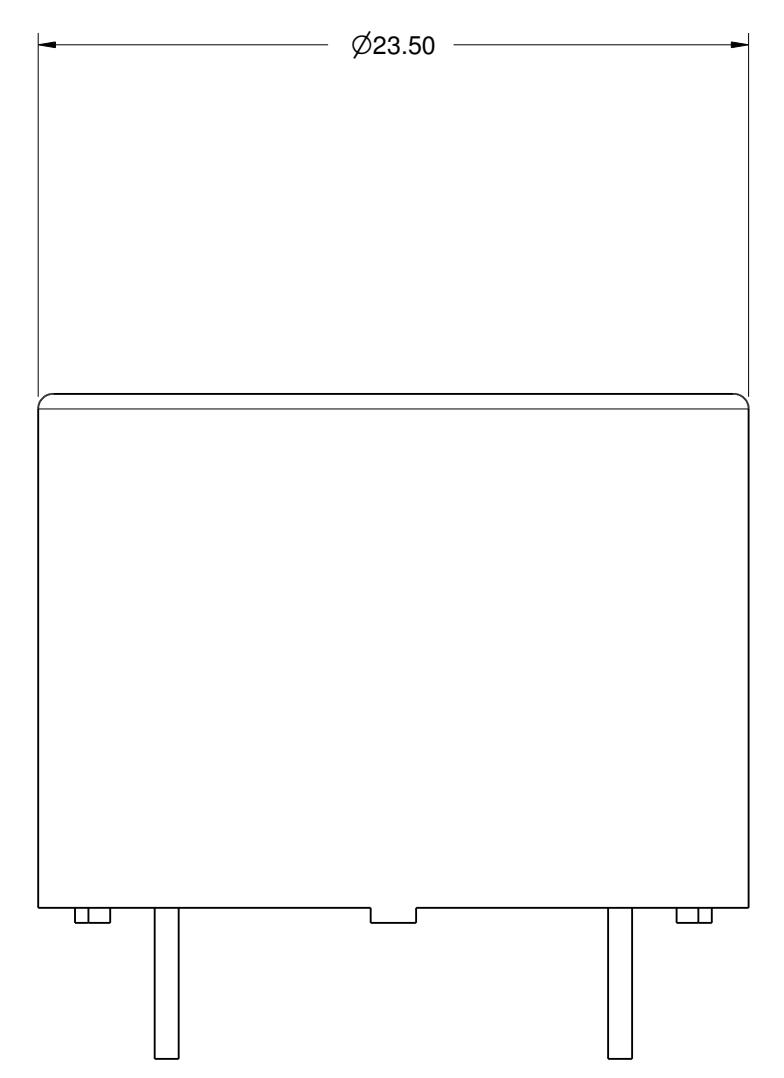
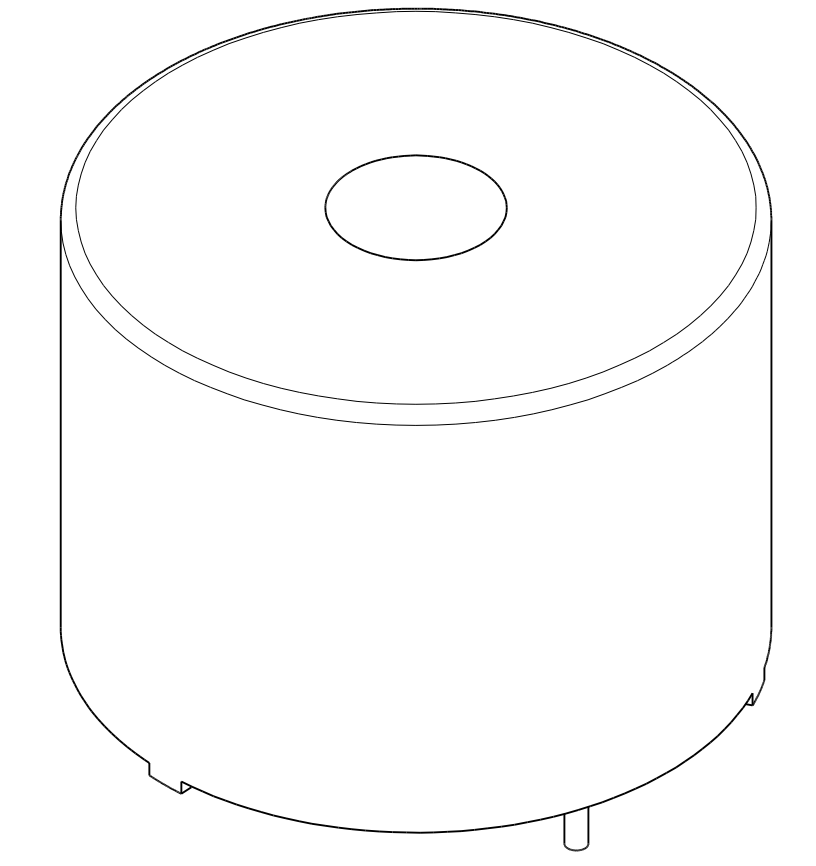
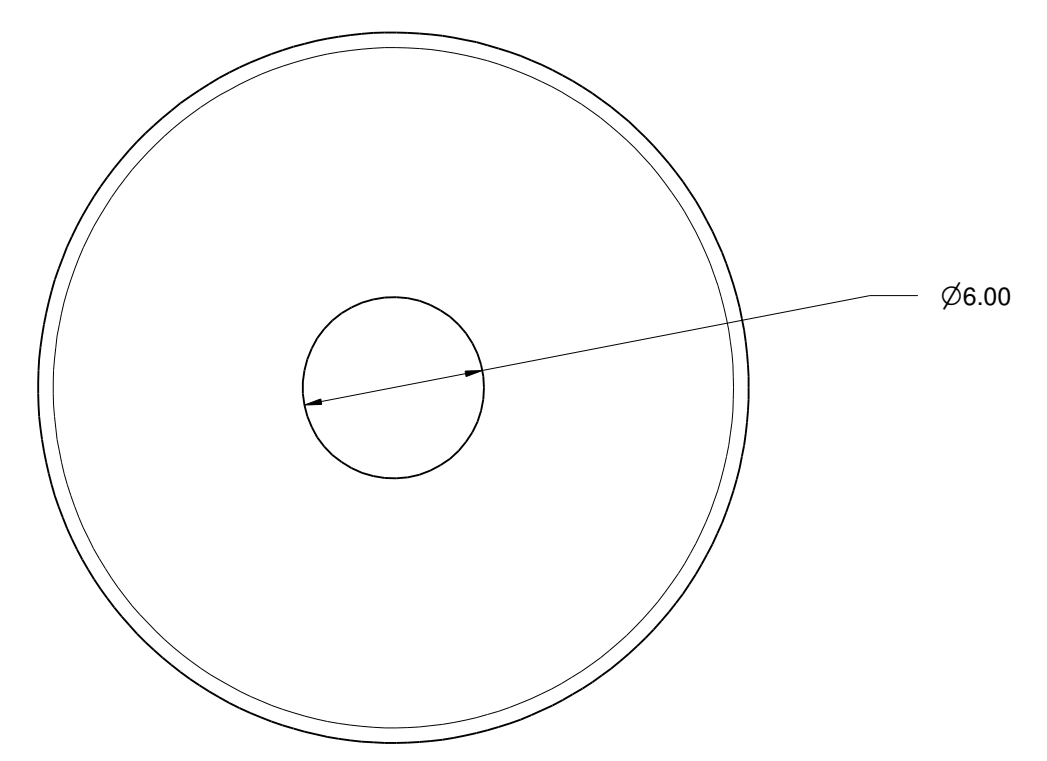


REVISIONS				
ZONE	REV	DESCRIPTION	DATE	APPROVED



ALL DIMENSIONS +/- .5MM UNLESS NOTED

SIZE	FSCM NO.	DWG NO.	REV
D		PB-2418-1	
SCALE	SHEET		1 OF 1
1:1			