

WALLMOUNT - SERIES

BUL10136

REV. E

ASSEMBLY INSTRUCTIONS FOR EN4SD, EN4TD, EN4SDSS, EN4DSC, ST, CN4SB, CN4ST

NOTES:

- 1) To mount enclosure using internal holes, make sure surface is flat or shim to suit. Use hex head bolt and sealing washer (Rubber side against enclosure)
- 2) Tighten 3/8-16 Mounting Hardware as per below sketch. (Washer should remain flat against enclosure surface)

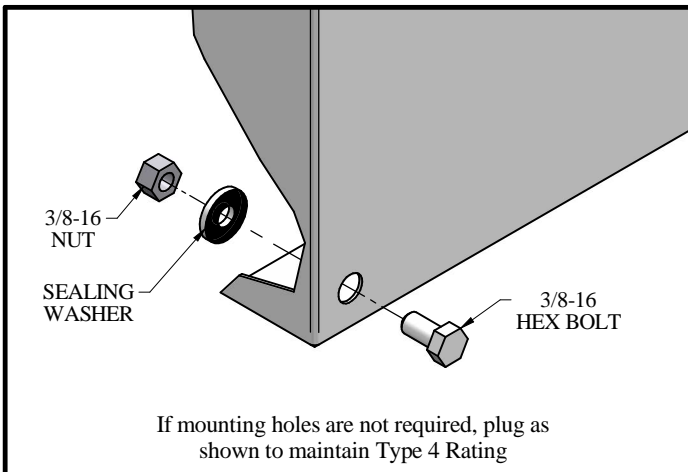
MOUNTING HARDWARE



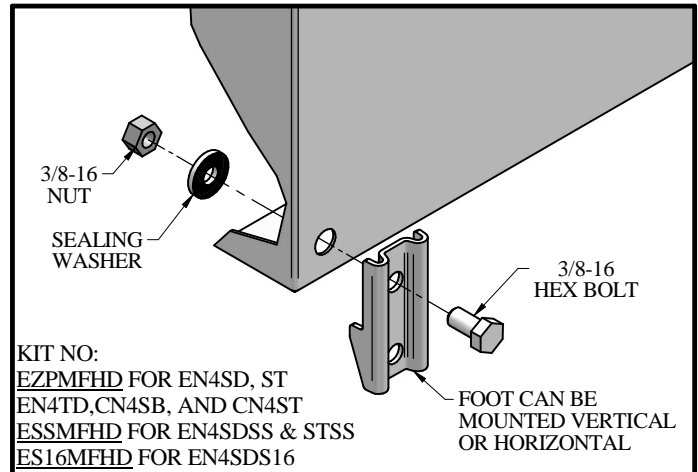
Mounting Foot kits are required to maintain Nema 4/4X, UL and CSA external mounting requirement:

Part No.	Material
EZPMFHD	Mild Steel (Type 4)
ESSMFHD	Type 304 Stainless (Type 4X)
ES16MFHD	Type 316 Stainless (Type 4X)

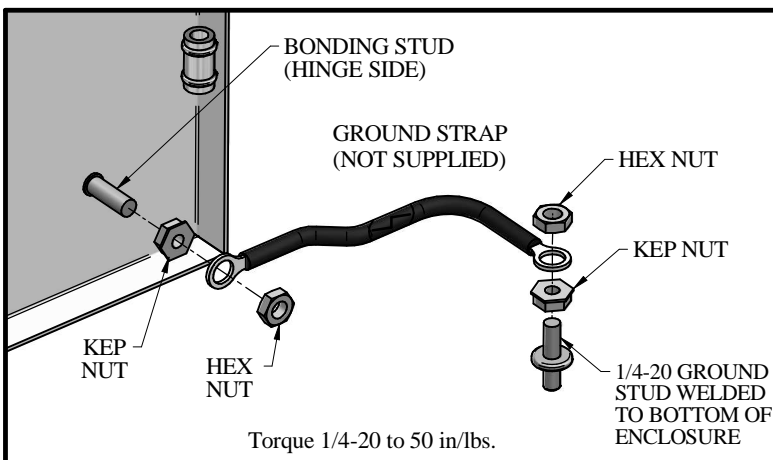
OPTIONAL HOLE PLUG



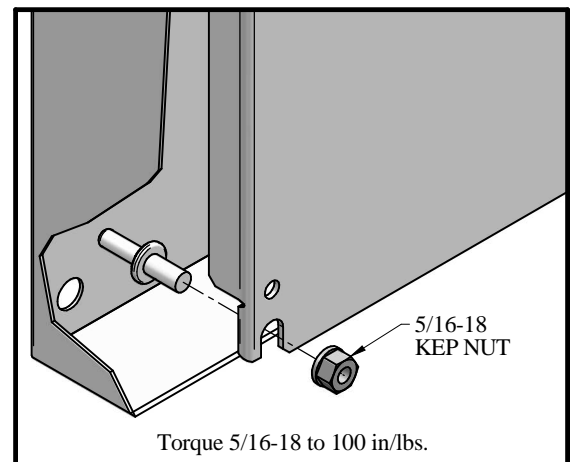
OPTIONAL MOUNTING FOOT



GROUND HARDWARE KIT



INNER PANEL DETAIL FOR CN4SB & CN4ST (ORDER SEPARATELY FOR EN4SD, EN4TD, ST & EN4DSC SERIES)



TOOL BOX



3/8, 7/16, 1/2 & 9/16
Socket Wrench

