

PROPRIETARY INFORMATION:

PROPRIETARY OF GLOBTEK, INC. ANY REPRODUCTION, DISCLOSURE OR USE OF THIS DRAWING, IN WHOLE OR IN PART, IS HEREBY PROHIBITED EXCEPT AS SPECIFIED IN WRITING BY GLOBTEK, INC.

REVISION HISTORY

REV	DESCRIPTION	SALES	RFS	DATE	APPROVED
A	INITIAL RELEASE	JS	25993	7/9/2014	HM
B	UPDATE LABEL AND APPROVALS	JS	26204	2/12/2016	HM
C	MAX DISCHARGE CURRENT CHANGE TO 4.99A, FUEL GAUGE DATA ACCESS T0 I2C	MK	26882	8/30/2017	MK
D	UPDATE LABEL	SV	27083	5/8/2018	MK
D1	FORMAT UPDATE	DR	27541	7/5/2020	DR

 GlobTek®, Inc.
www.globtek.com

186 Veterans Drive, Northvale, NJ 07467
Tel. 201-784-1000 Fax 201-784-0111

Drawing Title: 1S5P Lithium-Ion Polymer Battery Pack with Built-in
PCM, NTC(10K), Fuel Gauge, 5Cells, 3.7Volts@9400mAh

MODEL NO: GT683566

PART NO: BL1880F6835661S5PX9M

REV D1

PROPRIETARY INFORMATION:

PROPRIETARY OF GLOBTEK, INC. ANY REPRODUCTION, DISCLOSURE OR USE OF THIS DRAWING, IN WHOLE OR IN PART, IS HEREBY PROHIBITED EXCEPT AS SPECIFIED IN WRITING BY GLOBTEK, INC.

By customer signing or accepting this document, they agree to acknowledge and accept the **Guidelines and cautions, Safety Notes, and Safety Precautions published on GlobTek's website** http://en.globtek.com/safety-cautions.php#.UUD-NRzU_I8

GlobTek offers a 5-year warranty on workmanship and electrical components assembly on all new battery pack products excluding the battery cells themselves which are covered by the Manufacturer's original warranty at their published warranty period. Please refer to the manufacturer's warranty policy for cells. For GlobTek brand cells, GlobTek provides a 12-month warranty for Li-Ion batteries. The warranty period is based upon the expectation that the battery will deliver 80% of its initial capacity after 300 cycles at low to moderate power loads. High power loads may cause a battery to reach 80% of initial capacity in less than the 12-month warranty period. Li-Ion batteries will continue to operate below the 80% capacity threshold; however, the capacity (run time) delivered between charges will continue to decrease.

The purchaser of GlobTek battery pack products (Customer) agrees that they are a "Sophisticated user" who understands battery technology and that it is their sole responsibility to determine suitability of the product described for their application and to take precautions for protection against any hazards attendant to the handling and use of the product. GlobTek products are only designed for professional use and integration by companies into their products and may not be used by consumer. GlobTek provides batteries and battery packs as a component of an end system.

The acceptance of GlobTek specifications, the information on this page and use of the product described in this or other GlobTek documents indicate that the product was qualified for (and/or sample waiver signed), and the acceptance and binding of the customer to GlobTek terms and conditions, which supersede all other agreements, terms and conditions <http://en.globtek.com/terms-and-conditions/>

Customer Approval of Specification:

Please approve, sign and send back to GlobTek so we can complete order processing.
A delay in receipt of this form will delay delivery schedule.

Company Name:

Customer P/N:

Quote Number:

Date:

Authorized Representative Name:


Foot Note:

Globtek Inc. will not be liable for the safety and performance of these power supplies if unauthorized access and repair occurs. End user should consult applicable UL, CSA or EN standards for proper installation instruction.

Limitation of Use:

Globtek product are not authorized for use as mission critical components in life support hazardous environment, nuclear or aircraft applications without prior written approval from the CEO of Globtek Inc.

Contents of this document are subject to change without prior notice

 GlobTek, Inc. www.globtek.com	Drawing Title: 1S5P Lithium-Ion Polymer Battery Pack with Built-in PCM, NTC(10K), Fuel Gauge, 5Cells, 3.7Volts@9400mAh	
	MODEL NO: GT683566	REV D1
186 Veterans Drive, Northvale, NJ 07467 Tel. 201-784-1000 Fax 201-784-0111	PART NO: BL1880F6835661S5PX9M	

PROPRIETARY INFORMATION:

PROPRIETARY OF GLOBTEK, INC. ANY REPRODUCTION, DISCLOSURE OR USE OF THIS DRAWING, IN WHOLE OR IN PART, IS HEREBY PROHIBITED EXCEPT AS SPECIFIED IN WRITING BY GLOBTEK, INC.

NOTES:

DIMENSIONS ARE IN MM UNLESS SPECIFIED OTHERWISE.



1. ELECTRICAL SPECIFICATIONS:

Rated Capacity	9400	mAh Minimum
Nominal Voltage	3.7	Volts
Watt-Hour Rating	34.78	Watt Hour

2. GENERAL SPECIFICATIONS:

Cell Brand	GlobTek	
Cell Size	6.8*35*66 mm	
Cell Configuration	1S5P	
Thermistor (NTC) Inside Pack	10K	
Maximum Discharge Current	4.99A	
Minimum Discharge Voltage	2.4	Volts
Internal Impedance	≤85	milli Ohms
Protection Module	Bult-in inside the battery pack	
Pack ID	None	
Fuel Gauge IC Used	BQ27200	
Fuel Gauge Data Access Method	I2C	

3. RECOMENDED CHARGER SPECIFICATIONS:

Charger Circuit	EXTERNAL
Charging Method	Constant Current 0.2C and Constant Voltage 4.20V, 0.01C cut-off
Charge Termination Method	Minimum Charge Current and Safety Timer as back-up

Charging Rate	TBA	
Charging Time (Approximate)	5.5~6.0	Hours
Max. Charging Voltage	4.2	plus/minus +0%, -2%

4. Protection

Overcharge Voltage	4.3	
Overdischarge Voltage	2.75	
Overtemperature	Overtemperature circuit built-in inside the protection module	

5. AMBIENT CONDITIONS:

Ambient Temperature During Charging	0°C to +45°C
Ambient Temperature During Discharging	-20°C to +60°C
Storage Temperature and Charge Retention	1 Year at -20C to +25C; >80%
	3 Months at -20C to +40C; >80%
	1 Month at -20C to +60C; >80%
Humidity	65 +/- 25% Relative Humidity

GlobTek, Inc.
www.globtek.com

186 Veterans Drive, Northvale, NJ 07467
Tel. 201-784-1000 Fax 201-784-0111

Drawing Title: 1S5P Lithium-Ion Polymer Battery Pack with Built-in PCM, NTC(10K), Fuel Gauge, 5Cells, 3.7Volts@9400mAh

MODEL NO: GT683566

PART NO: BL1880F6835661S5PX9M

REV D1

PROPRIETARY INFORMATION:

PROPRIETARY OF GLOBTEK, INC. ANY REPRODUCTION, DISCLOSURE OR USE OF THIS DRAWING, IN WHOLE OR IN PART, IS HEREBY PROHIBITED EXCEPT AS SPECIFIED IN WRITING BY GLOBTEK, INC.

6. REGULATORY APPROVALS

Cells Approved To
Pack Approved To
ROHS
Transportation

UL 1642
UL 2054, IEC 62133
Complies with EU 2002/95/EC and China SJ/T 11363-2006
UN 38.3

7. WARRANTY

Warranty

5 years warranty on the battery pack excluding the cells themselves which are covered by the Manufacturer's original warranty at their published warranty period. Please refer to the manufacturer's warranty policy for cells.

 GlobTek, Inc.

www.globtek.com

186 Veterans Drive, Northvale, NJ 07467

Tel. 201-784-1000 Fax 201-784-0111

Drawing Title: 1S5P Lithium-Ion Polymer Battery Pack with Built-in PCM, NTC(10K), Fuel Gauge, 5Cells, 3.7Volts@9400mAh

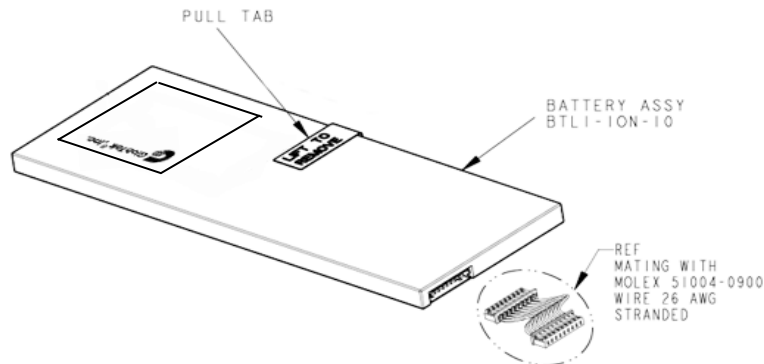
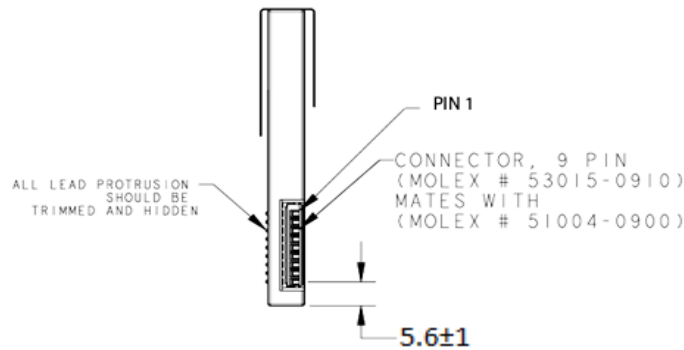
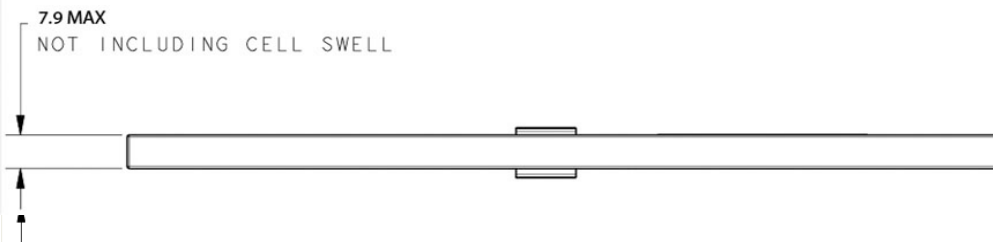
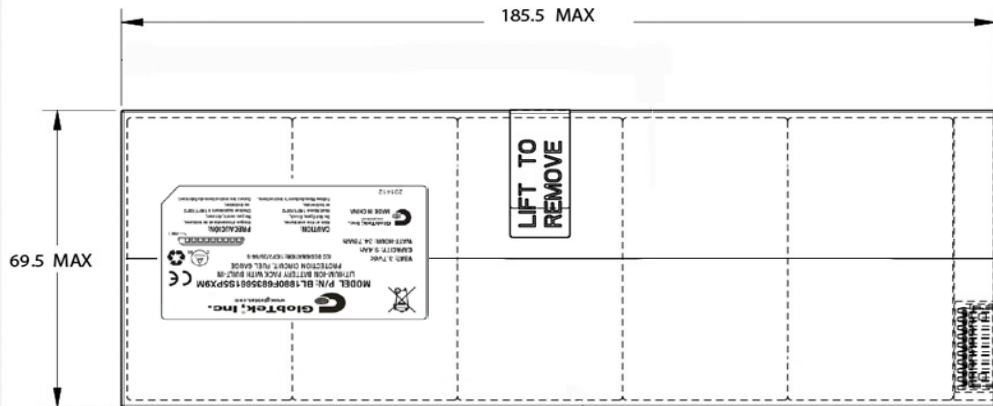
MODEL NO: GT683566

PART NO: BL1880F6835661S5PX9M

REV D1

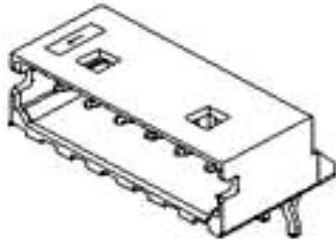
8. MECHANICAL

WRAP WITH BLACK POLYESTER FILM, 3M 1353 OR EQUIVALENT
SIZE: 183.5*66.5*7.9 mm



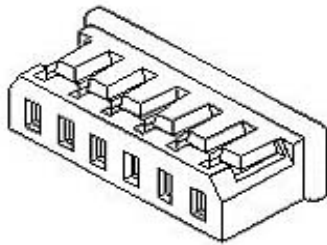
9. OUTPUT CORD AND CONNECTOR:

ACTUAL CONNECTOR'S, OVERMOLDS, FERRITES, MAY VARY SLIGHTLY FROM THE PICTURE BELOW



	Equivalent	Y/N	
Cable Type			
Cable Length			
Wire gauge			26AWG
Connector		Y	Molex 9P Header: 53015-0910
			N/A
Pin Assignment			Pin 1: POS
			Pin 2: POS
			Pin 3: POS
			Pin 4: THERM
			Pin 5: 12C SDA
			Pin 6: 12C SCL
			Pin 7: NEG
			Pin 8: NEG
			Pin 9: NEG
Other requirements			N/A

MATES WITH MOLEX 51004-0900 CRIMP HOUSING



FRONT VIEW



PIN 1

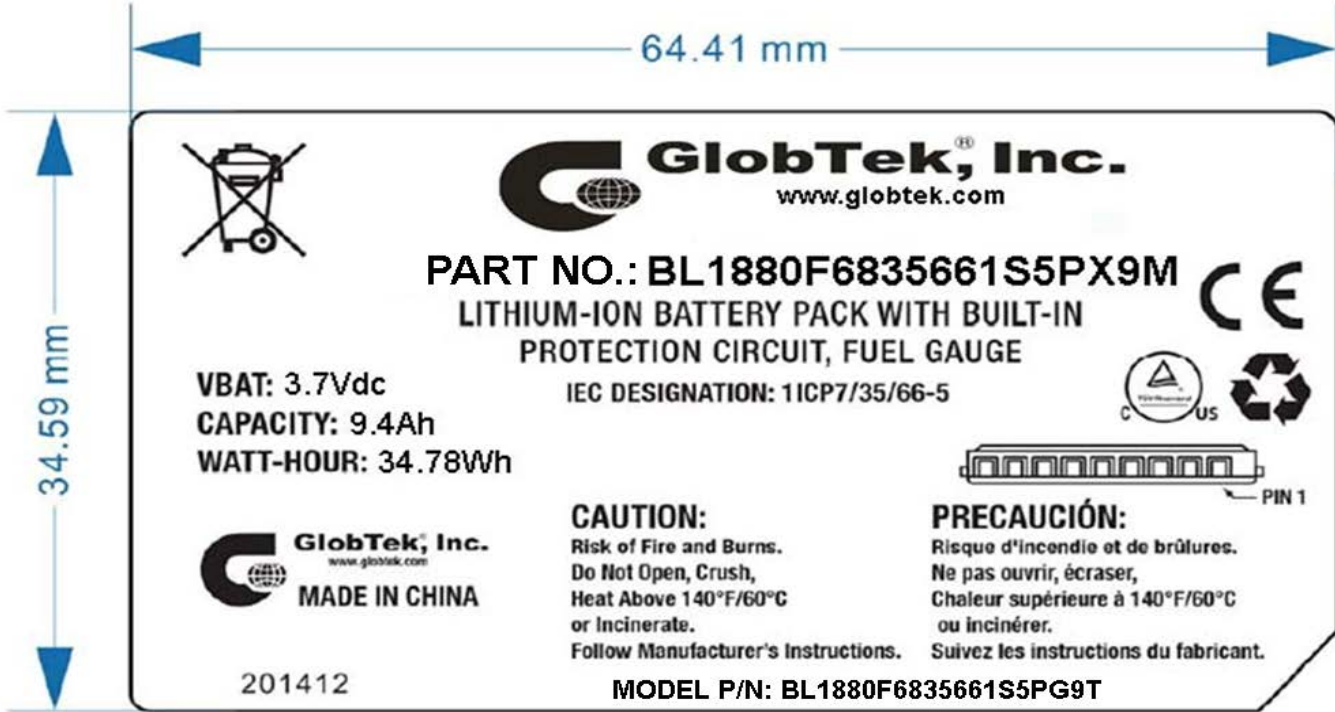


PROPRIETARY INFORMATION:

PROPRIETARY OF GLOBTEK, INC. ANY REPRODUCTION, DISCLOSURE OR USE OF THIS DRAWING, IN WHOLE OR IN PART, IS HEREBY PROHIBITED EXCEPT AS SPECIFIED IN WRITING BY GLOBTEK, INC.

10. LABEL:

MATERIAL: FLAT THERMAL TRANSFER, IMPRINTABLE, POLYESTER SHEET
 BACKGROUND COLOR: WHITE OR SILVER
 TEXT COLOR: BLACK
 LABEL WIDTH: (mm) 64.41
 LABEL HEIGHT: (mm) 34.59



Antistatic Tape for covering the connector



Pull Tape



CAUTION:

1. MAY EXPLODE IF DISPOSED OF IN FIRE.
2. USE SPECIFIED POWER SUPPLY ONLY.
3. DO NOT SHORT CIRCUIT.

GlobTek, Inc.
 www.globtek.com

186 Veterans Drive, Northvale, NJ 07467
 Tel. 201-784-1000 Fax 201-784-0111

Drawing Title: 1S5P Lithium-Ion Polymer Battery Pack with Built-in PCM, NTC(10K), Fuel Gauge, 5Cells, 3.7Volts@9400mAh

MODEL NO: GT683566

PART NO: BL1880F6835661S5PX9M

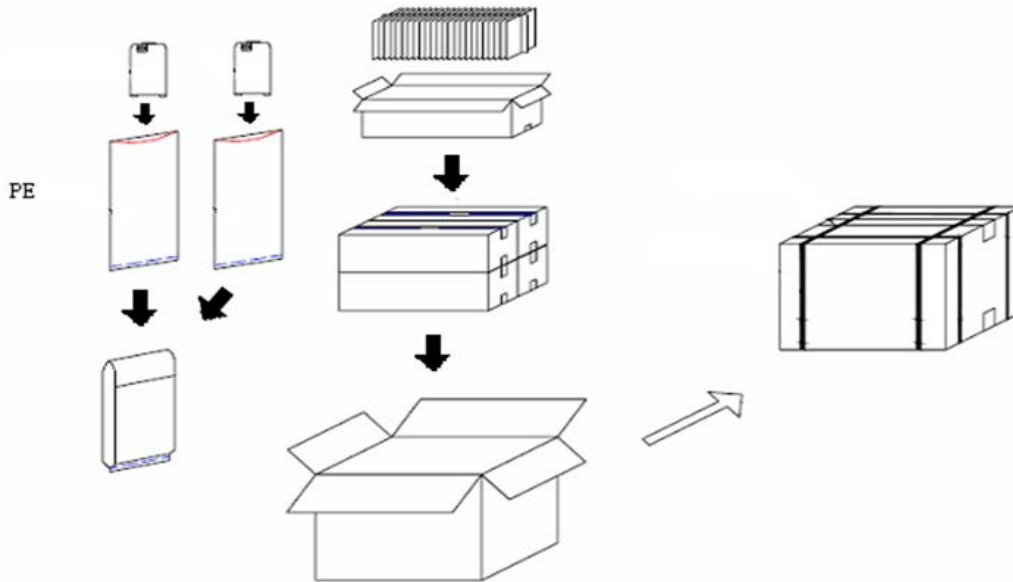
REV D1

PROPRIETARY INFORMATION:

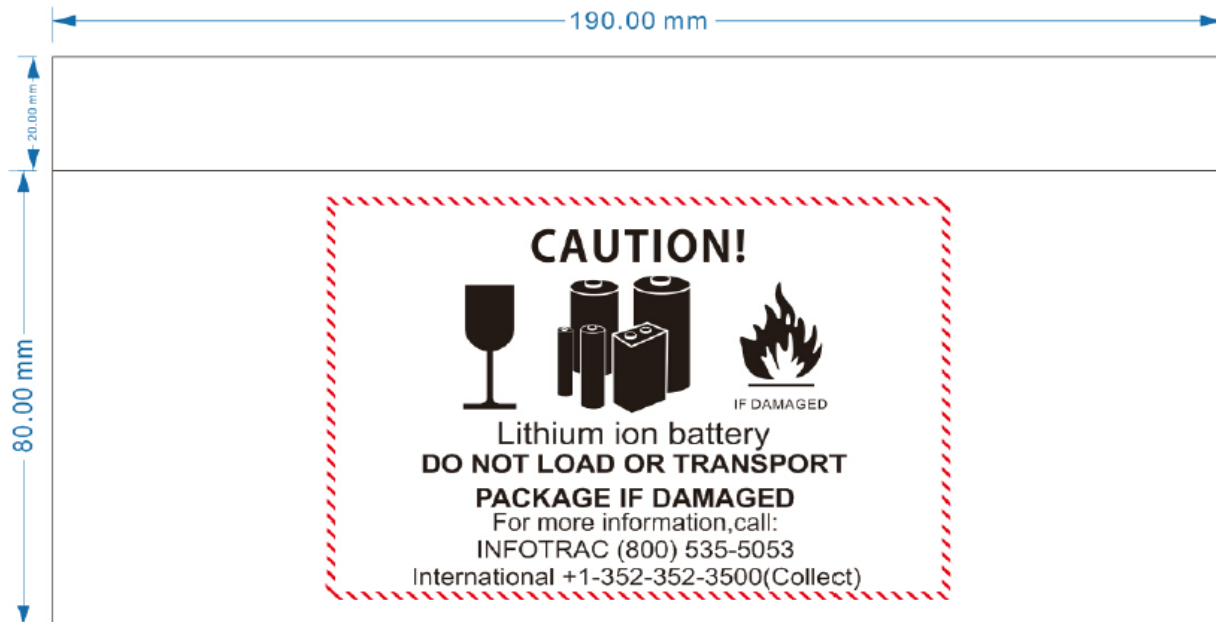
PROPRIETARY OF GLOBTEK, INC. ANY REPRODUCTION, DISCLOSURE OR USE OF THIS DRAWING, IN WHOLE OR IN PART, IS HEREBY PROHIBITED EXCEPT AS SPECIFIED IN WRITING BY GLOBTEK, INC.

11. PACKING

GIFT BOX SIZE	190*80*20
CARTON SIZE:	415*255*128
QUANTITY PER CARTON:	40
G.W.	10.0 kg



2 BATTERY PACKS PER GIFT BOX WITH CAUTION LABEL



GlobTek® Inc.

www.globtek.com

186 Veterans Drive, Northvale, NJ 07467

Tel. 201-784-1000 Fax 201-784-0111

Drawing Title: 1S5P Lithium-Ion Polymer Battery Pack with Built-in PCM, NTC(10K), Fuel Gauge, 5Cells, 3.7Volts@9400mAh

MODEL NO: GT683566

PART NO: BL1880F6835661S5PX9M

REV D1