

THIS DRAWING IS UNPUBLISHED.

RELEASED FOR PUBLICATION

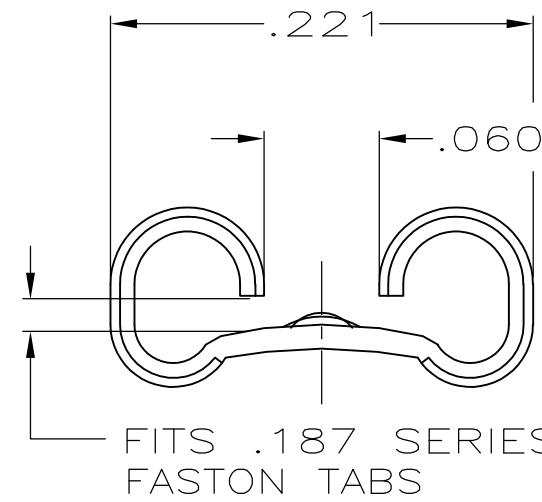
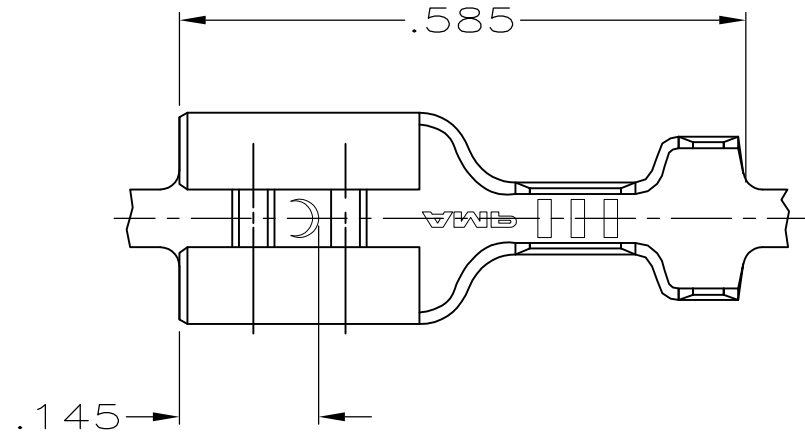
ALL RIGHTS RESERVED.

© COPYRIGHT - By -

LOC AF DIST 50

REVISIONS

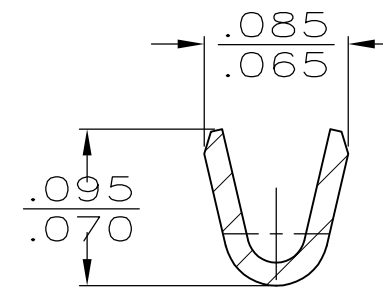
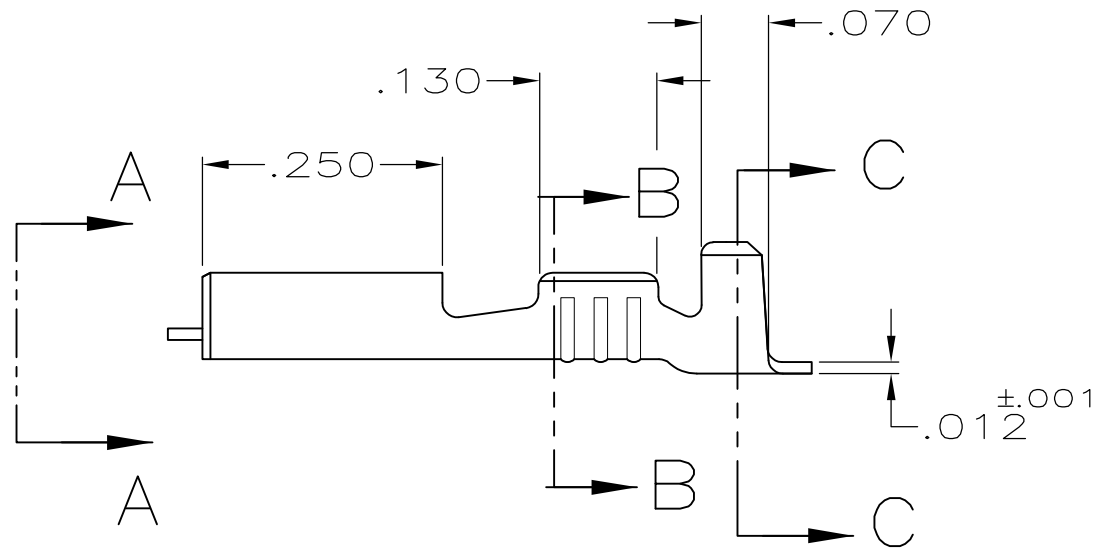
P	LTR	DESCRIPTION	DATE	DWN	APVD
G1		REVISED PER ECR-14-004075	24MAR2014	NK	RL



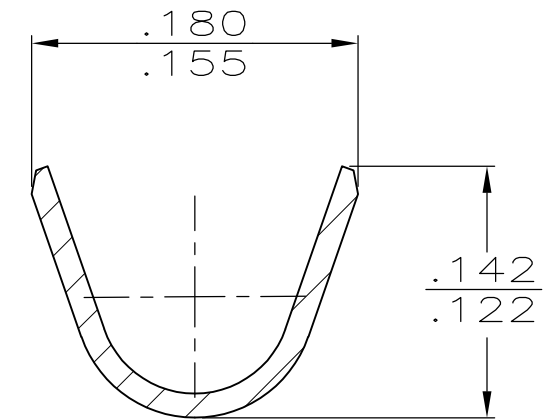
FITS .187 SERIES FASTON TABS

VIEW A-A
SCALE 8:1

- 1 CONTINUOUS STRIP ON REELS.
- 2 FINISH LEAD-FREE, MATTE TIN OVER NICKEL



SECTION B-B
SCALE 10:1



SECTION C-C
SCALE 10:1

.060-.110 DIA	#24-20 AWG	.020	2	62138-4
			-	62138-2
			TIN	62138-1
INSULATION RANGE	WIRE SIZE	MATING TAB THK ± .001	FINISH	PART NO.

THIS DRAWING IS A CONTROLLED DOCUMENT.		DWN JR RUTH 8/15/91	TE Connectivity RECEPTACLE, FASTON, .187 SERIES					
DIMENSIONS: INCHES		CHK MS FEHER 8/15/91						
TOLERANCES UNLESS OTHERWISE SPECIFIED:		APVD C MEYERS 8/15/91						
0 PLC ± - 1 PLC ± - 2 PLC ± - 3 PLC ± .015 4 PLC ± - ANGLES ± -		NAME						
MATERIAL BRASS		FINISH SEE TABLE	PRODUCT SPEC	SIZE	CAGE CODE	DRAWING NO	RESTRICTED TO	
			APPLICATION SPEC	A3	00779	C-62138		
			WEIGHT -	CUSTOMER DRAWING		SCALE 5:1	SHEET 1 OF 1	REV G1