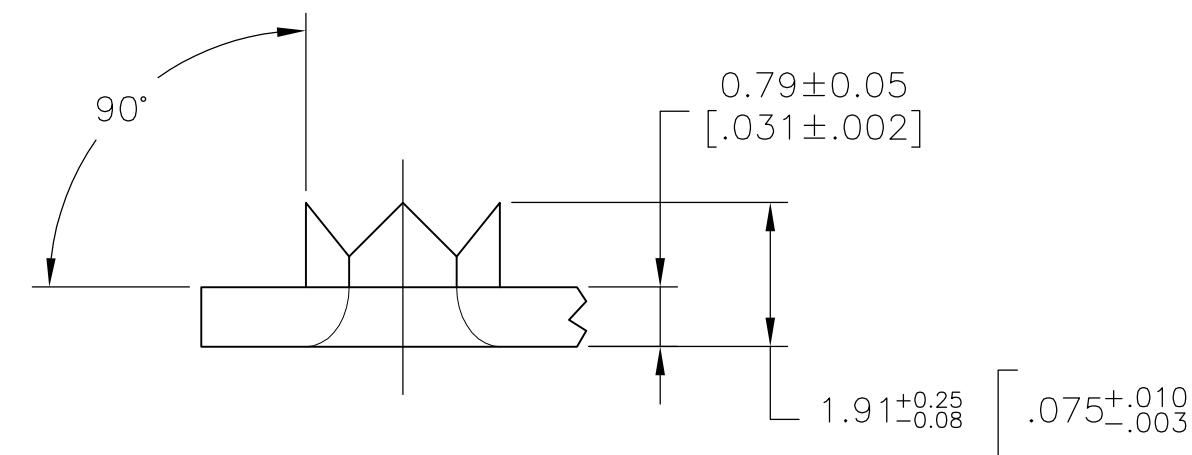
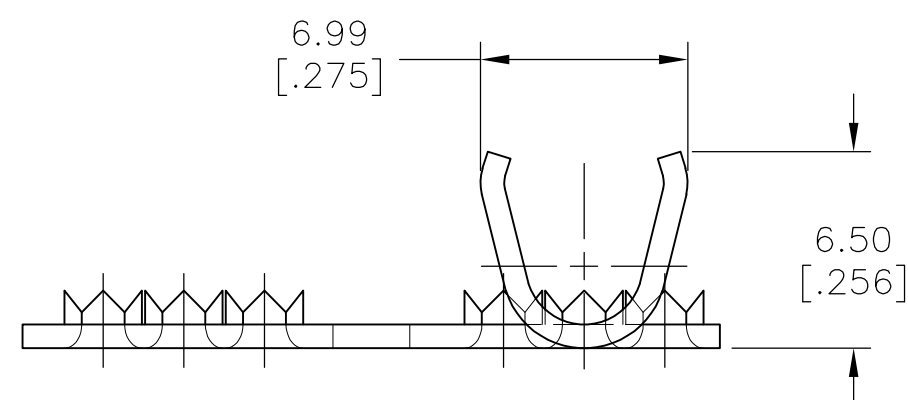
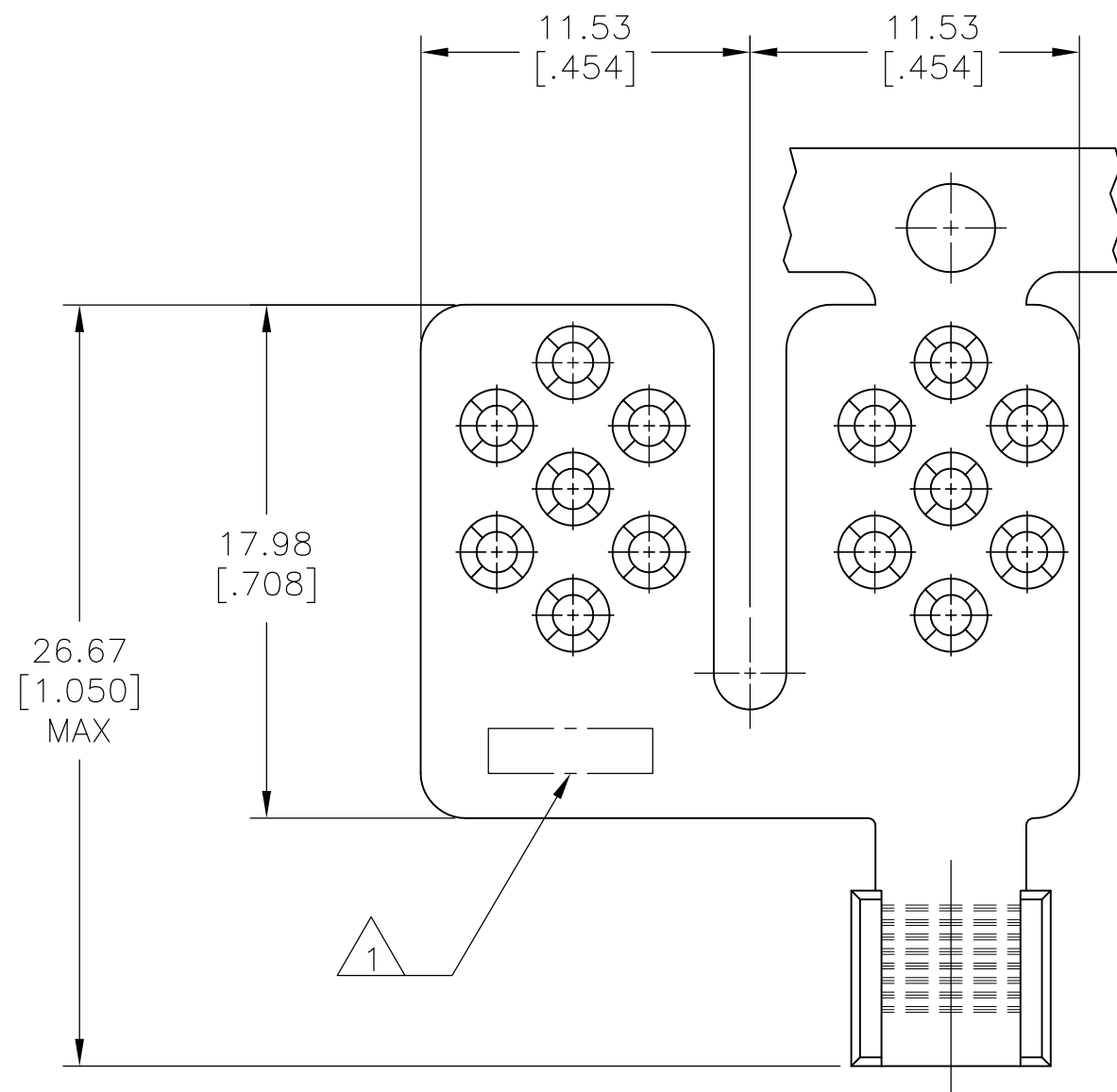


THIS DRAWING IS UNPUBLISHED. RELEASED FOR PUBLICATION  
 © COPYRIGHT - By - ALL RIGHTS RESERVED.

| REVISIONS |     |                           |           |     |      |
|-----------|-----|---------------------------|-----------|-----|------|
| P         | LTR | DESCRIPTION               | DATE      | DWN | APVD |
| B         |     | REV PER 0G3A-0697-03      | 03NOV03   | -   | JR   |
| B1        |     | REVISED PER ECO-16-017419 | 13MAR2017 | RS  | DR   |



1 STAMP AMP APPROX AS SHOWN.



DETAIL OF LANCE  
SCALE 10:1

AMP INCORPORATED  
CUSTOMER SERVICE SYSTEMS

MAX RECOMMENDED OPERATING TEMPERATURE:  
170°C [338°F] MAX

FOR ADDITIONAL PRODUCT INFORMATION OR COPIES OF DRAWINGS AND TECHNICAL DOCUMENTS

PRODUCT INFORMATION CENTER  
1-800-522-6752

VOLTAGE RATING:  
NOT APPLICABLE

FOR APPLICATION TOOLING INFORMATION

TOOLING ASSISTANCE CENTER  
1-800-722-1111

WIRE CROSS SECTIONAL AREA RANGE:  
2.62-6.64mm<sup>2</sup> [5,180-13,100] CIR MILS  
SOLID OR STRANDED

FOR ORDER ENTRY

1-800-526-5142

THIS DRAWING IS A CONTROLLED DOCUMENT FOR AMP INCORPORATED. IT IS SUBJECT TO CHANGE AND THE CONTROLLING ENGINEERING ORGANIZATION SHOULD BE CONTACTED FOR THE LATEST REVISION.

|               |                   |          |
|---------------|-------------------|----------|
| 2000          | STANDARD          | 53644-2  |
| REEL QUANTITY | REELING DIRECTION | PART NO. |

|   |  |  |                    |   |                 |
|---|--|--|--------------------|---|-----------------|
| THIS DRAWING IS A CONTROLLED DOCUMENT.                                      |  | DWN DK SCHRUM 6/16/94                                    | TE Connectivity    |   |                 |
| DIMENSIONS: mm [INCHES]   |  | CHK AJ KAUFMAN 6/20/94                                   |                    |   |                 |
| TOLERANCES UNLESS OTHERWISE SPECIFIED:                                      |  | APVD RE ROSER 6/20/94                                    |                    |   |                 |
| 0 PLC ± -<br>1 PLC ± -<br>2 PLC ± -<br>3 PLC ± -<br>4 PLC ± -<br>ANGLES ± - |  | PRODUCT SPEC   |                    |   |                 |
| MATERIAL COPPER PER ASTM B-152  |  | FINISH TIN PLATE .00254[.000100] MIN THK PER MIL-T-10727 | APPLICATION SPEC   | NAME TERMINAL, W/ OPEN BARREL, TAP, TERMI-FOIL™, WIRE SIZE: 12-10 AWG |                 |
|   |  | WEIGHT -   | SIZE A2            |   | CAGE CODE 00779 |
|   |  | CUSTOMER DRAWING   | DRAWING NO C=53644 |   | RESTRICTED TO - |
|   |  |  | SCALE 4:1          | SHEET 1 OF 1  | REV B1          |