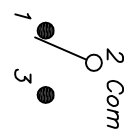


RECOMMENDED PCB LAYOUT
NOT TO SCALE

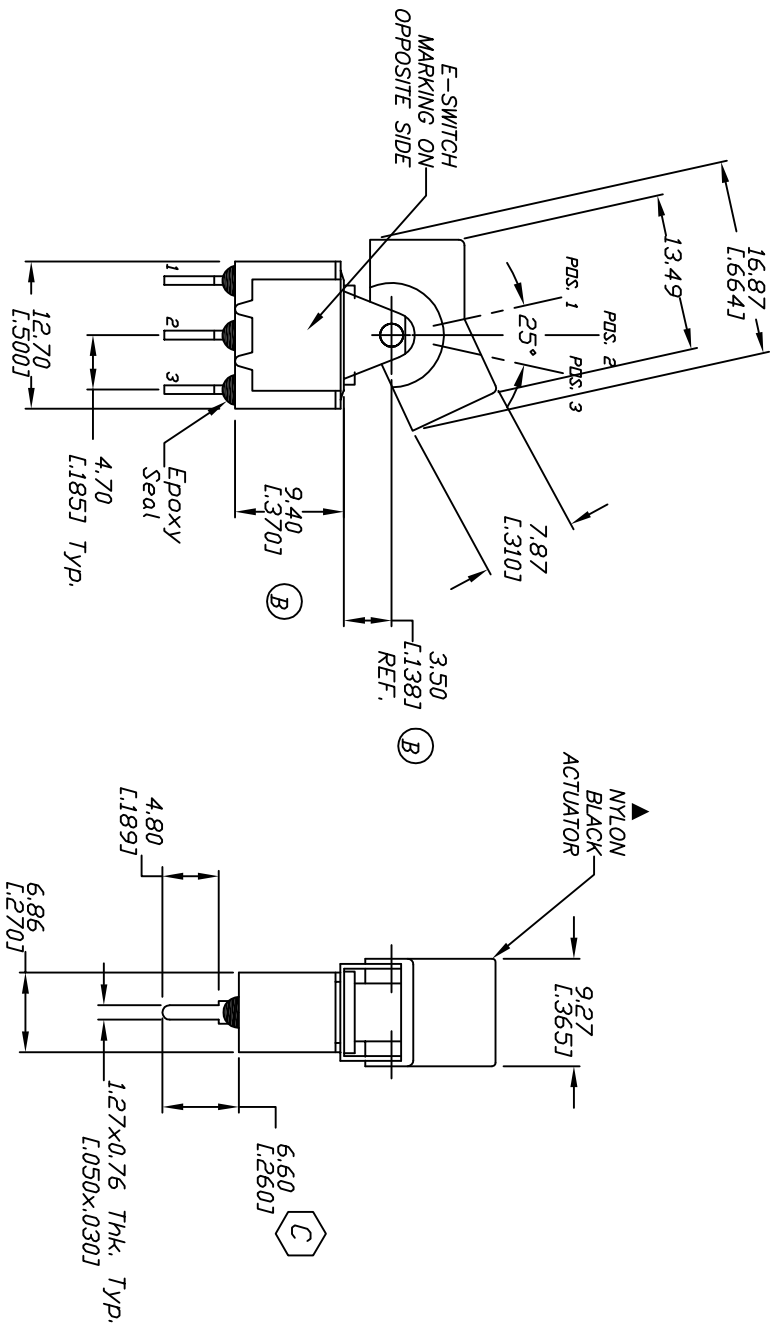


CIRCUIT: SPST

| SWITCH FUNCTION | | |
|-----------------|--------|--------|
| POS. 1 | POS. 2 | POS. 3 |
| | | |
| DN | NONE | DN |
| 2-3 | OPEN | 2-1 |

NOTES:

1. ALL DIMENSIONS IN MM [INCH]
2. GENERAL TOLERANCE: X.X=±0.4
X.XX=±0.25
3. TERM. NOS. FOR REF. ONLY
4. RATING: 0.4VA @20V AC or DC max.
5. MATERIAL: FIXED TERMINAL & MOVING CONTACT
Copper Alloy w/Gold Plate over
Nickel plate.
6. CONTACT RESISTANCE: 10mΩ Ohms max initial
@2-4VDC, 100mA for AG & AU
7. ELECTRICAL LIFE: 50,000 make-and-break
cycles at full load.
8. INSULATION RESISTANCE: 1,000M ohm min.
9. DIELECTRIC STRENGTH: 1000V RMS @sea level
10. OPERATING TEMP.: -30°C to 85°C
11. 2002/95/EC (ROHS) COMPLIANT.



| | | | | |
|------|---------|----------------------------------|---------|------|
| C | 18604 | REVISE TERMINAL LENGTH DIMENSION | 7/30/09 | BLR |
| B | 12359 | REV DECOR, DIM, ADD MATERIAL | 8/8/02 | CB |
| REV. | ECN No. | DESCRIPTION | DATE | CHKD |

| | | | | | | | |
|---|--|-------|--|---------|-----|---------|-----|
| TITLE | | SCALE | | DATE | DR | DWG | REV |
| 300 SP-1 J1 (BLK.) M2 R E (GOLD CONTACTS) | | 1.5:1 | | 7/30/09 | BLR | T311047 | C |



THE INFORMATION CONTAINED IN THIS DOCUMENT IS PROPRIETARY TO E-SWITCH AND IS NOT TO BE COPIED OR TRANSFERRED