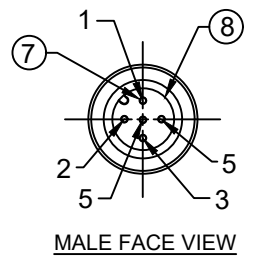
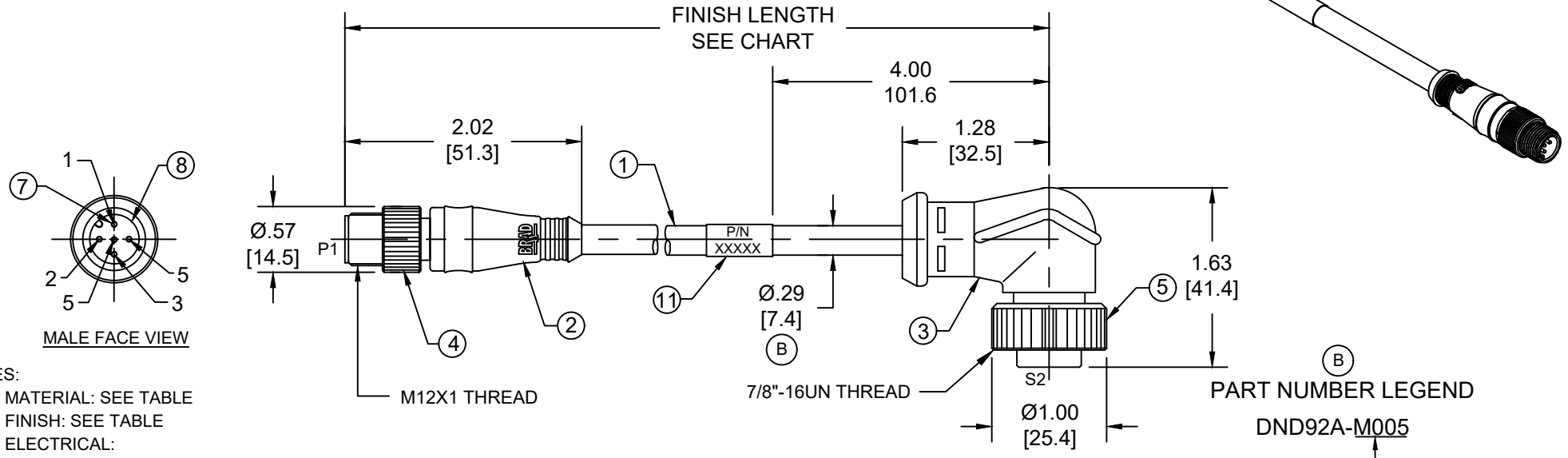
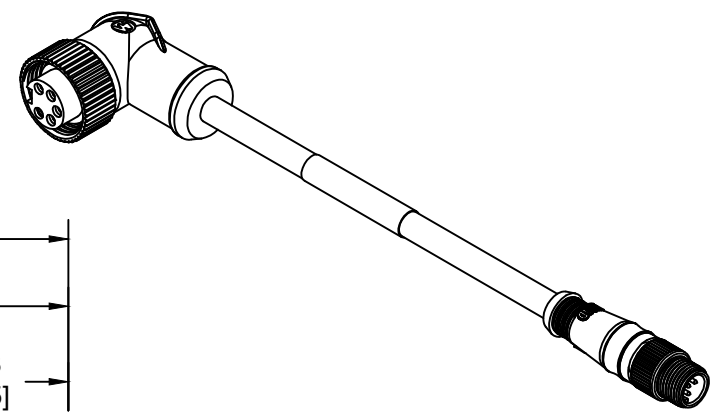


| SAP P/N # | ENGINEERING P/N | FINISHED LENGTH |
|------------|-----------------|-------------------|
| 1300390208 | DND92A-M005 | 0.5M [1FT 8 IN] |
| 1300390211 | DND92A-M020 | 2M [6FT 7 IN] |
| 1300390213 | DND92A-M050 | 5M [16FT 5 IN] |

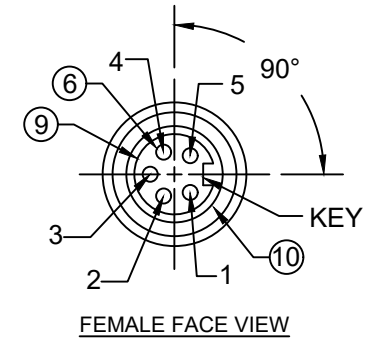


- NOTES:
- MATERIAL: SEE TABLE
 - FINISH: SEE TABLE
 - ELECTRICAL:
VOLTAGE: 250V
CURRENT: 4A
 - TEMP RATING: -20°C TO +80°C
 - PROTECTION: IP67 (WHEN MATED)
 - UL LISTED FILE: E152210 (B)
CSA CERTIFIED FILE: LR6837 (B)
 - ALL DIMENSIONS ARE FOR REFERENCE UNLESS TOLERANCED OR NOTED OTHERWISE

PART NUMBER LEGEND
DND92A-M005
 LENGTH:
 M005= 0.5 METER
 M010= 1 METER
 M100= 10 METER

| P1 | | S2 | |
|----|-------|----|--|
| 1 | DRAIN | 1 | |
| 2 | RED | 2 | |
| 3 | BLACK | 3 | |
| 4 | WHITE | 4 | |
| 5 | BLUE | 5 | |

WIRING DIAGRAM



| 11 | WRAP LABEL | VINYL | BLACK/YELLOW |
|------|----------------------|---------------|------------------|
| 10 | FRICTION RING | NYLON | WHITE |
| 9 | FEMALE INSERT(MINI) | TPE | BLACK |
| 8 | MALE INSERT(MICRO) | NYLON | BLACK |
| 7 | PIN CONTACT | COPPER ALLOY | GOLD OVER NICKEL |
| 6 | SOCKET CONTACT | COPPER ALLOY | GOLD OVER NICKEL |
| 5 | COUPLING NUT(MINI) | ZINC DIE-CAST | BLACK E-COAT |
| 4 | COUPLING NUT(MICRO) | ZINC DIE-CAST | BLACK E-COAT |
| 3 | OVERMOLD(MINI) | TPC | GRAY |
| 2 | OVERMOLD(MICRO) | TPC | GRAY |
| 1 | DEVICENET DROP CABLE | PVC JACKET | GRAY |
| ITEM | COMPONENT | MATERIAL | FINISH |

FUNCTIONAL SYMBOLS: THIS DRAWING CONTAINS INFORMATION THAT IS PROPRIETARY TO MOLEX ELECTRONIC TECHNOLOGIES, LLC AND SHOULD NOT BE USED WITHOUT WRITTEN PERMISSION

DIMENSION UNITS: INCH/MM SCALE: NTS

GENERAL TOLERANCES (UNLESS SPECIFIED): 4 PLACES ±---, 3 PLACES ±---, 2 PLACES ±---, 1 PLACE ±---, 0 PLACES ±---

ANGULAR TOL ± --- °

DRAFT WHERE APPLICABLE MUST REMAIN WITHIN DIMENSIONS

CURRENT REV DESC: ITEM-2, 3 & 9 WERE PVC. ADDED ITEM-10, TOL CHART, UL, CSA, CABLE DIA AND PN LEGEND. MODIFIED PN CHART

EC NO: 720800
 DRWN: ABENJAMINLW 2022/07/28
 CHK'D: RSTONE 2022/09/09
 APPR: BWOODMAN 2022/09/09

INITIAL REVISION:
 DRWN: TWOLDEGE 2010/01/11
 APPR: JFMURPHY 2010/01/20

THIRD ANGLE PROJECTION

DRAWING: A-SIZE
 SERIES: 130039

molex

MICRO-MINI CHANGE DEVICENET, M12-A-SIZE, 5 POLE, MALE STRAIGHT-FEMALE 90DEG, SINGLE KEY, #22/4 AWG

PRODUCT CUSTOMER DRAWING

DOCUMENT NUMBER: SD-130039-024
 DOC TYPE: PSD
 DOC PART: 001
 REVISION: B

MATERIAL NUMBER: SEE CHART
 CUSTOMER: GENERAL MARKET
 SHEET NUMBER: 1 OF 1

| | | | | |
|-----------------|----|--------------|------------|----------|
| DOCUMENT STATUS | P1 | RELEASE DATE | 2022/09/09 | 18:08:09 |
|-----------------|----|--------------|------------|----------|