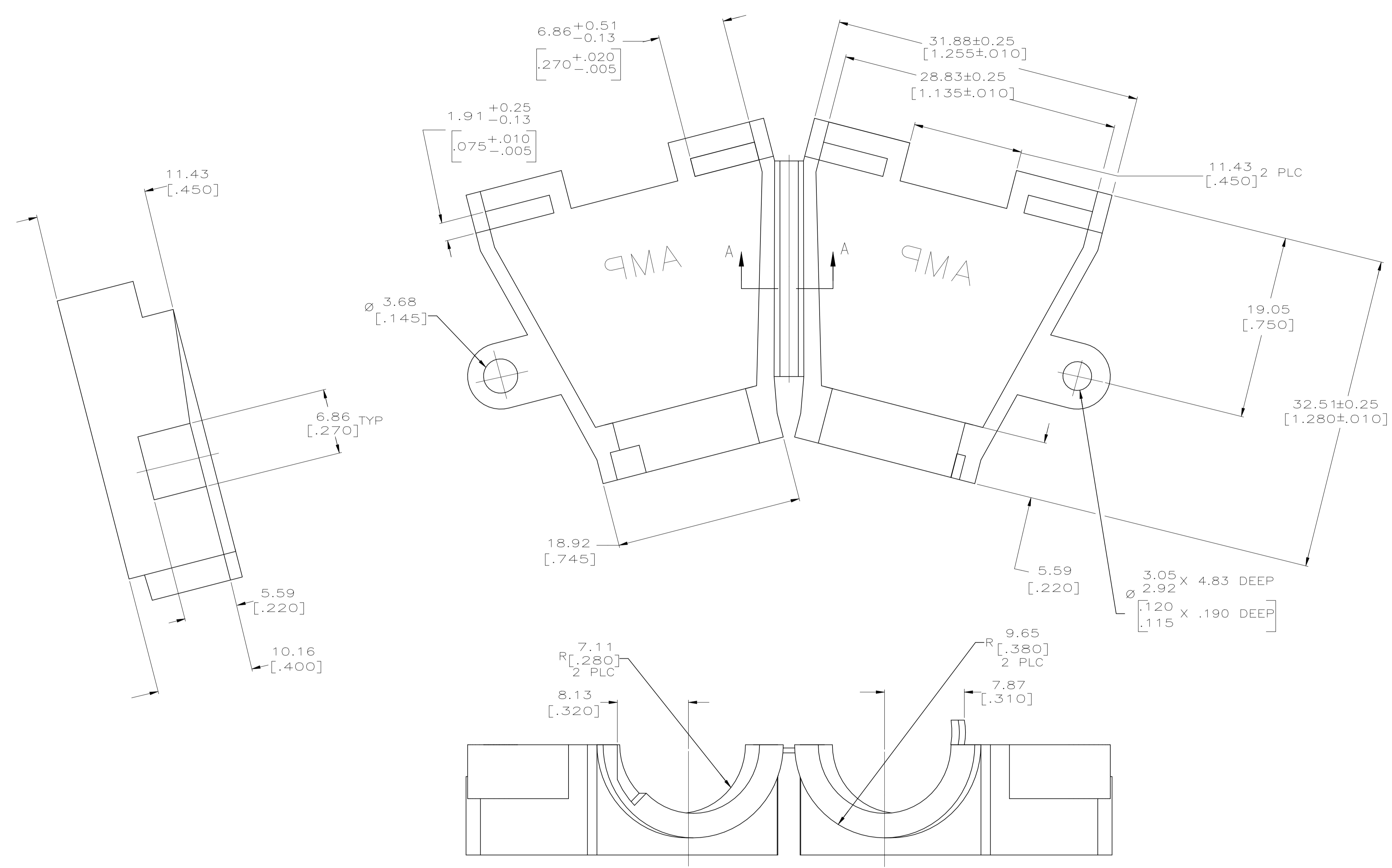
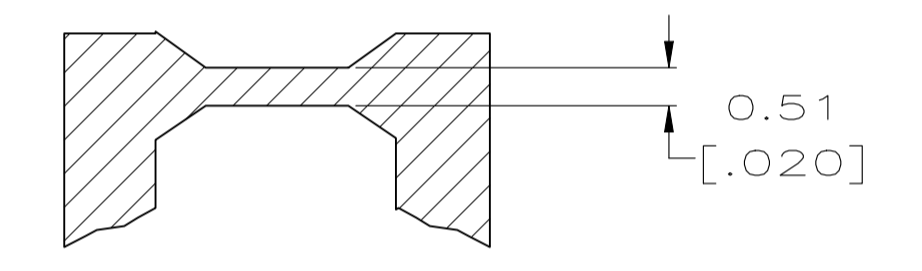


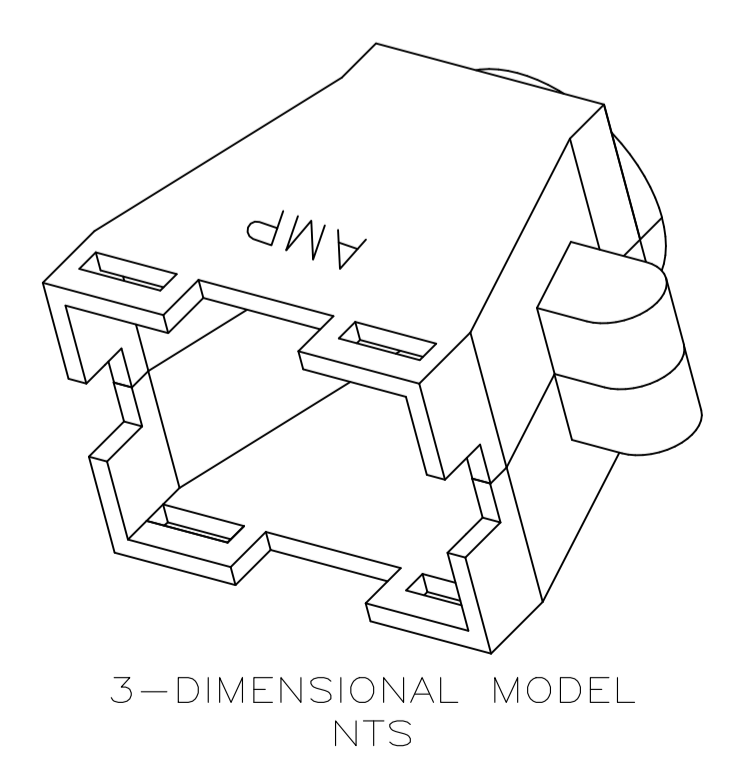
REVISIONS					
P	LTR	DESCRIPTION	DATE	DMN	APVD
J		ECO-21-006920	14DEC2021	RK	MZ



- REQUIRES A #6 PAN HEAD TYPE "B" SELF TAPPING PAN HEAD SCREW, 9.53 [.375] LONG.
- DIMENSIONS IN BRACKETS ARE IN INCHES.
- HOUSING MATERIAL: PA66, BLACK, UL 94 V-0 RATED
- HOUSING MATERIAL: PA66, BLACK, UL 94 V-2 RATED



SECTION A-A
SCALE 10:1



3-DIMENSIONAL MODEL
NTS

	1-350524-9
	350524-1
MATERIAL	PART NO

THIS DRAWING IS A CONTROLLED DOCUMENT.		DMN: K. SALMON 9-17-93	NAME
DIMENSIONS: mm [INCHES]		CHK: R. SWING 9-17-93	
TOLERANCES UNLESS OTHERWISE SPECIFIED:		APVD: W. LONG 7-20-94	PRODUCT SPEC
	0 PLC ± -	APPLICATION SPEC	SIZE
	1 PLC ± -	WEIGHT	CAGE CODE
	2 PLC ± 0.13 [.005]	CUSTOMER DRAWING	DRAWING NO
	3 PLC ± -	SCALE	RESTRICTED TO
	4 PLC ± -	SCALE 4:1	SHEET 1 OF 1
	ANGLES ± -		REV J
MATERIAL: SEE TABLE	FINISH: -		