

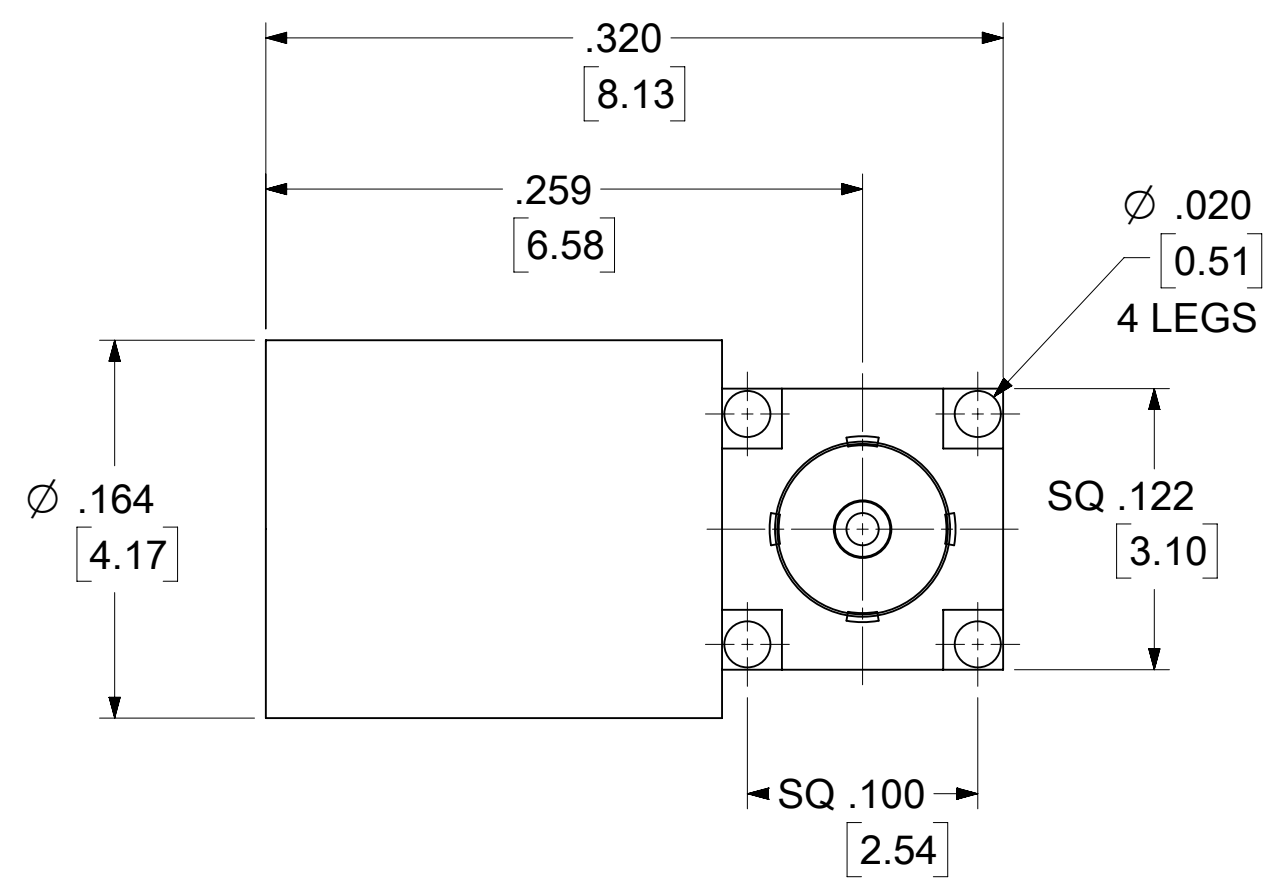
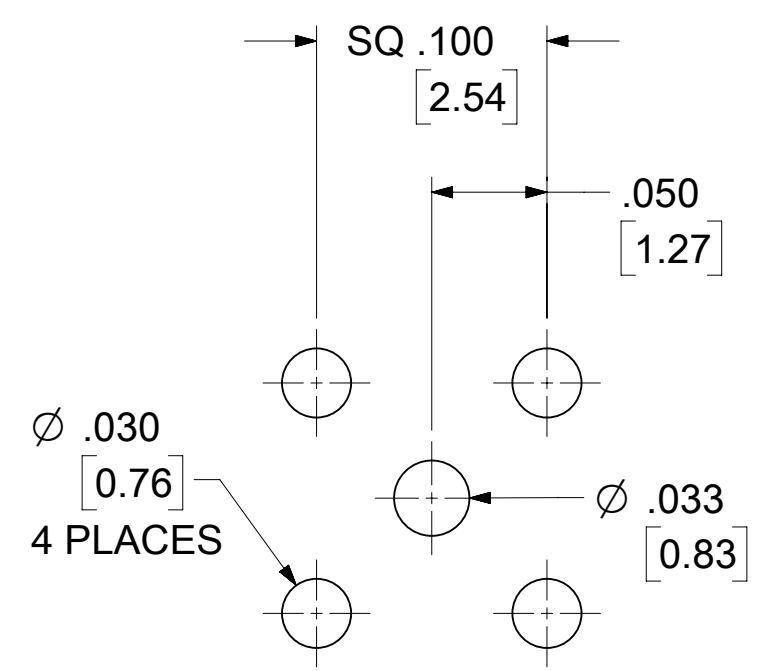
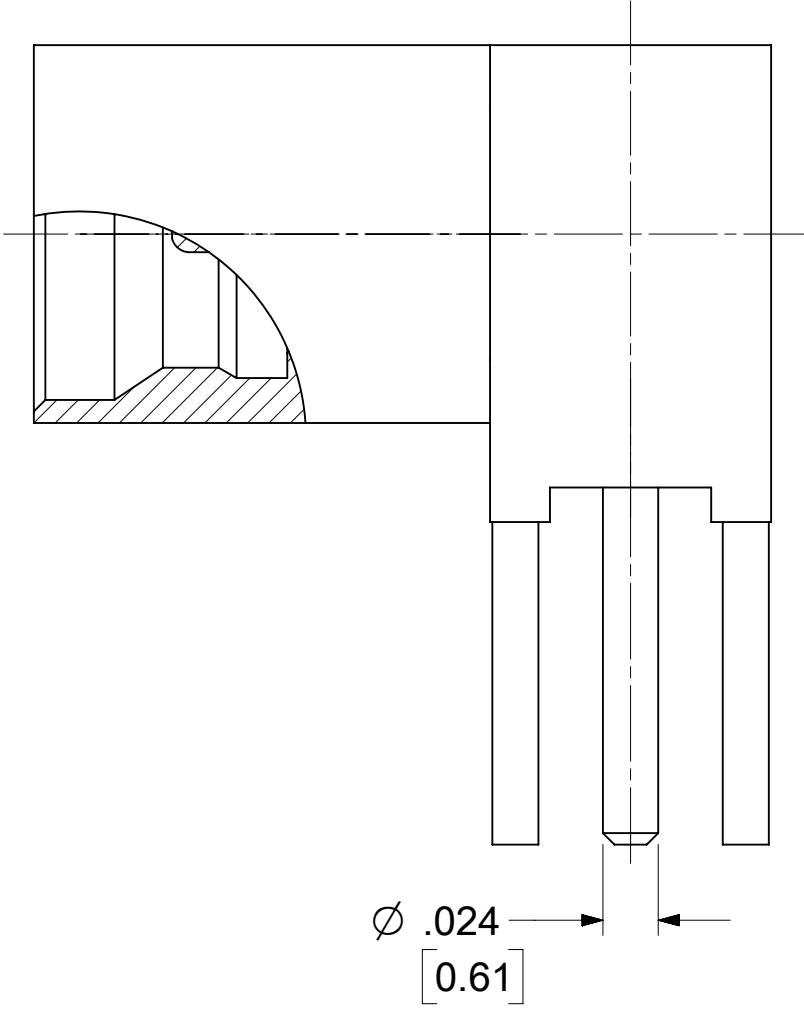
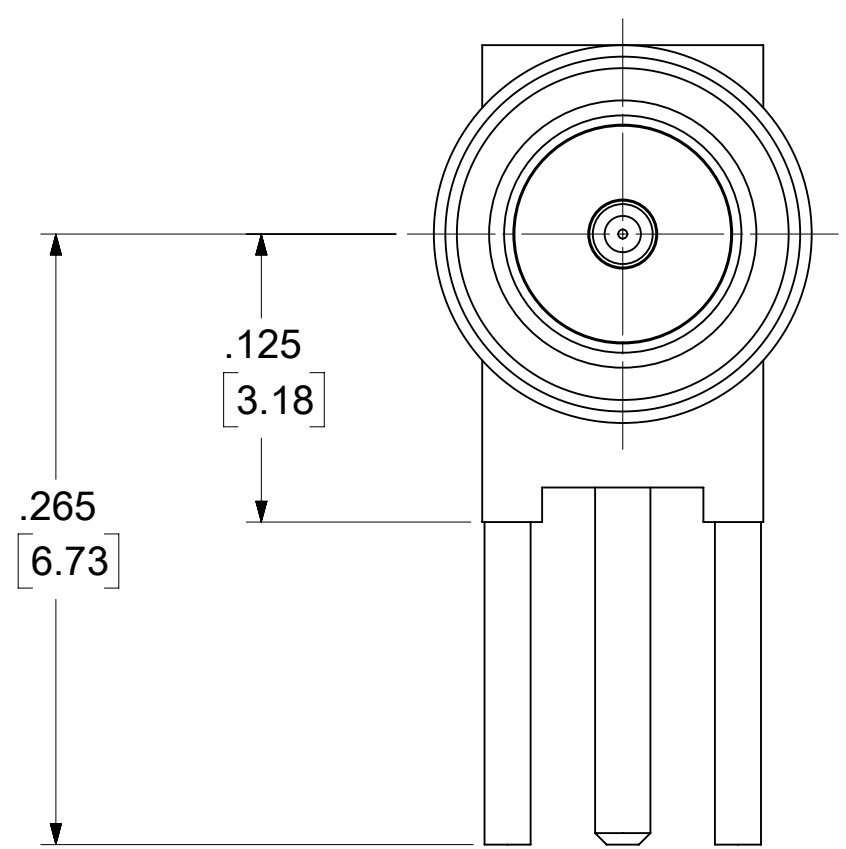
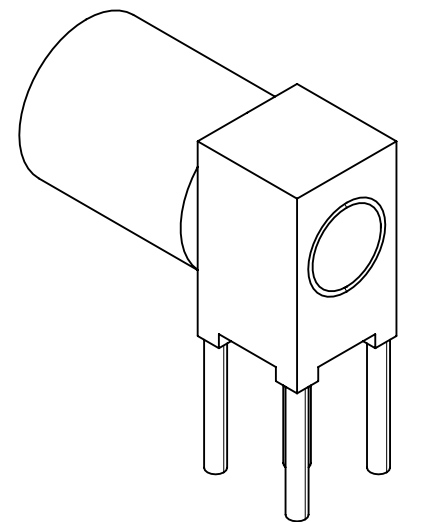
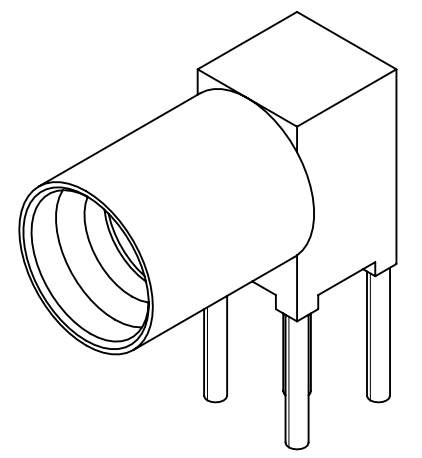
MATERIALS AND FINISHES:

BODY: BRASS  
 PLATED GOLD (20μ-in MIN)  
 OVER NICKEL

INSULATOR: PTFE

CONTACT: BERYLLIUM COPPER  
 PLATED GOLD (50μ-in MIN)  
 OVER NICKEL

CAP: BRASS  
 PLATED GOLD (20μ-in MIN)  
 OVER NICKEL



RECOMMENDED PCB CONFIGURATION

LABEL FORMAT FOR  
 73406-0241

PART NUMBER: 73406-0240  
 ORDER NUMBER: 73406-0241  
 MOLEX  
 DATE: YYWW

73406-0241	73406-0240 ONE PER BAG	895420470
73406-0240	73406-0240 TRAY	895420040
PART NO.	DESCRIPTION	PACKING SPEC

MIL-STD-348A, FIG. 326.2	INTERFACE
SPECIFICATION	DESCRIPTION

DOCUMENT STATUS	P1	RELEASE DATE	2022/08/25 06:22:13
-----------------	----	--------------	---------------------

THIS DRAWING CONTAINS INFORMATION THAT IS PROPRIETARY TO MOLEX ELECTRONIC TECHNOLOGIES, LLC AND SHOULD NOT BE USED WITHOUT WRITTEN PERMISSION

DIMENSION UNITS <b>INCH/MM</b>	SCALE <b>NTS</b>	CURRENT REV DESC: ADD 73406-0241 PER EWR #15321-B	<b>molex</b>		
GENERAL TOLERANCES (UNLESS SPECIFIED)					
ANGULAR TOL	± 2.0°	EC NO: 718857	PRODUCT CUSTOMER DRAWING		
4 PLACES	±	DRWN: RYEH 2022/08/03	DOCUMENT NUMBER		
3 PLACES	±	CHK'D: YCHENG 2022/08/25	SD-73406-024		
2 PLACES	±	APPR: YCHENG 2022/08/25	DOC TYPE DOC PART REVISION		
1 PLACE	±	INITIAL REVISION:	PSD 001 A1		
0 PLACES	±	DRWN: RYEH 2012/06/06	MATERIAL NUMBER		
DRAFT WHERE APPLICABLE MUST REMAIN WITHIN DIMENSIONS		APPR: MHUANG 2012/07/27	CUSTOMER		
THIRD ANGLE PROJECTION		DRAWING	SHEET NUMBER		
C-SIZE		SERIES	GENERAL MARKET		
73406		SEE TABLE			1 OF 1