

NOTES:

- ① DATE CODE
 - *** WORKING DAY
 - WORKING MONTH
 - WORKING YEAR
- ② INSULATOR OVERHANGS ALL EXTERNAL EDGES.
- 3. 6-32 UNC MIN. 2MM THREAD DEPTH
- 4. PART IS COMPLIANT TO RoHS DIRECTIVE 2002/95/EC AND ELV 2000/53/EC.
- ⑤ SCREWS ARE PACKAGED INTO PLASTIC BAG AND SHIPPED WITH BACKPLATE.

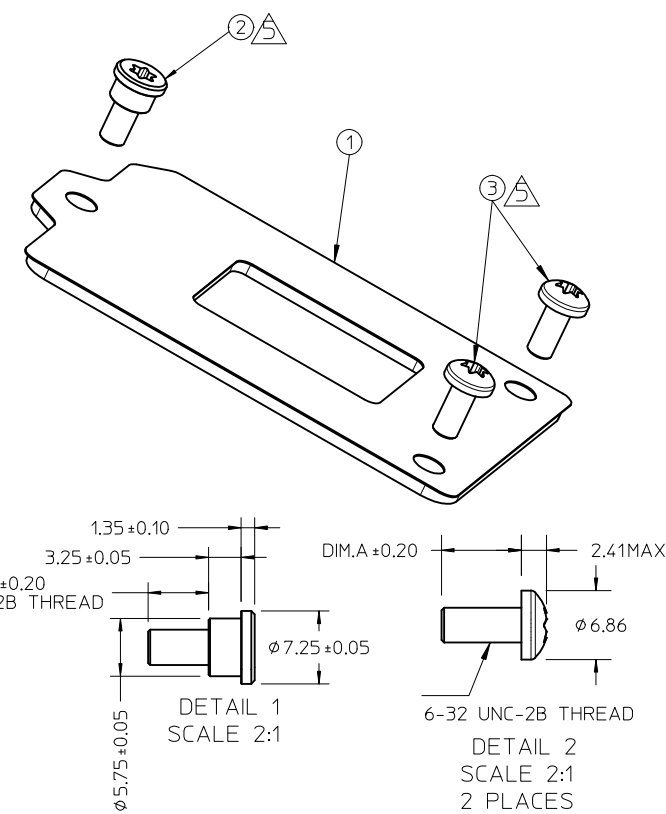
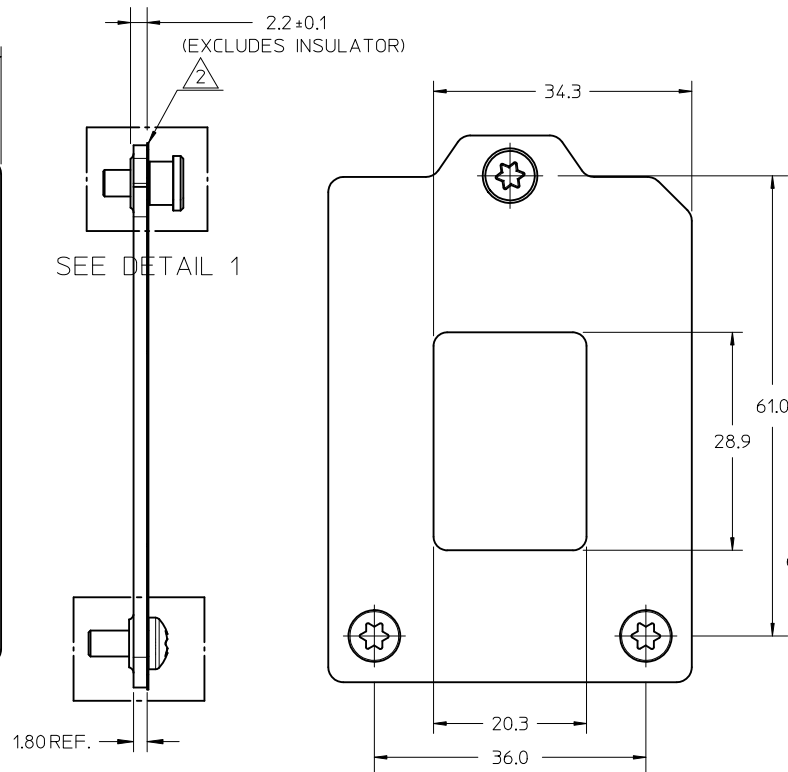
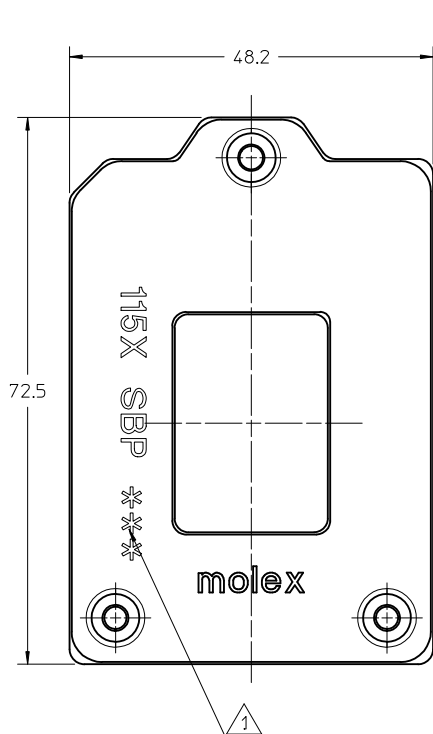
SEE DETAIL 2

PARTS LIST			
ITEM NO	QTY	DESCRIPTION	MATERIAL
	1	TOP ASSY W/SCREWS(47596-***33 OR 47596-***38)	
①	1	115X BACK PLATE ASSY (47596-***23)	BACK PLATE(STEEL WITH NICKEL PLATING) INSULATOR(POLYCARBONATE FILM)
②	1	SHOULDER SCREW 6-32 (475976**1)	LOW CARBON STEEL WITH NICKEL PLATING
③	2	PANHEAD SCREW 6-32(475976**2)	LOW CARBON STEEL WITH NICKEL PLATING

ENTER DESCRIPTION EC NO: SH2012-0146 DRWN:ZHANG11 2011/11/17 CHKD: APPR:AYIN 2011/12/30	QUALITY SYMBOLS	GENERAL TOLERANCES (UNLESS SPECIFIED)	DIMENSION STYLE	SCALE	DESIGN UNITS	THIRD ANGLE PROJECTION
	$F_{\Delta}=0$	4 PLACES ± --- ± ---	MM ONLY	1.5:1	METRIC	
	$F_{\square}=0$	3 PLACES ± --- ± ---	DRAWN BY DATE	TITLE	115X BACK PLATE ASSY WITH SCREWS FOR 1U SERVER	
	$F_{\circ}=0$	2 PLACES ± 0.13 ± ---	CHECKED BY DATE			
	1 PLACE ± 0.25 ± ---	APPROVED BY DATE			MOLEX INCORPORATED	
	ANGULAR ± 1/2°	WFDENG 2010/07/09				
		DRAFT WHERE APPLICABLE MUST REMAIN WITHIN DIMENSIONS	MATERIAL NO.	DOCUMENT NO.	SHEET NO.	
			SEE TABLE		1 OF 1	

SIZE	THIS DRAWING CONTAINS INFORMATION THAT IS PROPRIETARY TO MOLEX INCORPORATED AND SHOULD NOT BE USED WITHOUT WRITTEN PERMISSION				
A3					

47596-8838	WITH HALOGEN FREE	2.00(0.079")	5.6	4.22
47596-8833	WITH HALOGEN FREE	1.57(0.062")	5.17	3.8
PART NO.	DESCRIPTION	PCB THICKNESS	DIM.A	DIM.B



NOTES:

① DATE CODE

*** WORKING DAY
 WORKING MONTH
 WORKING YEAR

② INSULATOR OVERHANGS ALL EXTERNAL EDGES.
 3. 6-32 UNC MIN. 2MM THREAD DEPTH
 4. PART IS COMPLIANT TO RoHS DIRECTIVE 2002/95/EC AND ELV 2000/53/EC.

⑤ SCREWS ARE PACKAGED INTO PLASTIC BAG AND SHIPPED WITH BACKPLATE.

47596-8838	WITH HALOGEN FREE	2.00(0.079")	5.6	4.22
47596-8833	WITH HALOGEN FREE	1.57(0.062")	5.17	3.8
PART NO.	DESCRIPTION	PCB THICKNESS	DIM.A	DIM.B

PARTS LIST			
ITEM NO	QTY	DESCRIPTION	MATERIAL
	1	TOP ASSY W/SCREWS(47596-***33 OR 47596-***38)	
①	1	115X BACK PLATE ASSY (47596-***23)	BACK PLATE(STEEL WITH NICKEL PLATING) INSULATOR(POLYCARBONATE FILM)
②	1	SHOULDER SCREW 6-32 (475976**1)	LOW CARBON STEEL WITH NICKEL PLATING
③	2	PANHEAD SCREW 6-32(475976**2)	LOW CARBON STEEL WITH NICKEL PLATING

ENTER DESCRIPTION	QUALITY SYMBOLS
EC NO: SH2012-0146	$F_{\Delta}=0$
DRWN:ZHANG11 2011/11/17	$F_{\square}=0$
CHKD:	$F_{\circ}=0$
APPR:AYIN 2011/12/30	

GENERAL TOLERANCES (UNLESS SPECIFIED)	DIMENSION STYLE	SCALE	DESIGN UNITS
	MM ONLY	1.5:1	METRIC
	mm INCH		THIRD ANGLE PROJECTION
4 PLACES ± --- ± ---	DRAWN BY	DATE	TITLE
3 PLACES ± --- ± ---	CHECKED BY	DATE	
2 PLACES ± 0.13 ± ---	APPROVED BY	DATE	
1 PLACE ± 0.25 ± ---	WFDENG	2010/07/09	
ANGULAR ± 1/2°	MATERIAL NO.		
	SEE TABLE		

DRAFT WHERE APPLICABLE MUST REMAIN WITHIN DIMENSIONS		THIS DRAWING CONTAINS INFORMATION THAT IS PROPRIETARY TO MOLEX INCORPORATED AND SHOULD NOT BE USED WITHOUT WRITTEN PERMISSION	
SIZE	A3	DOCUMENT NO.	SD-47596-108
		SHEET NO.	1 OF 1