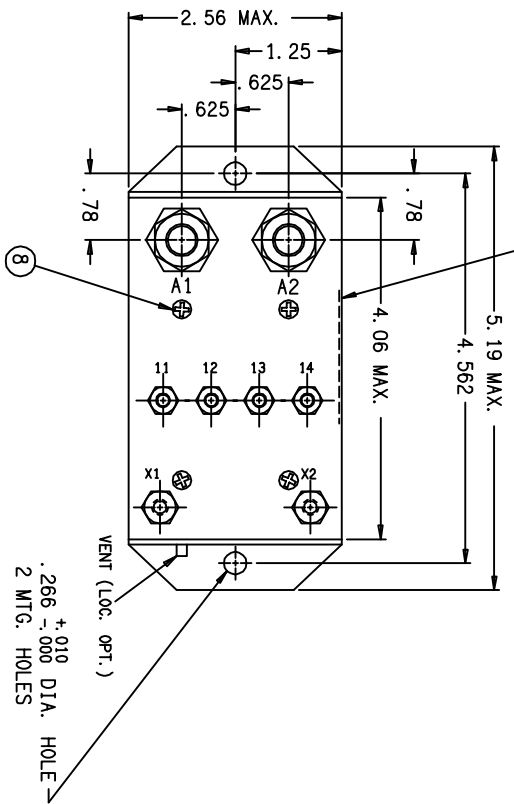


REV	DATE	DESCRIPTION	APPROVED
1	87/05/12	WAS CUSTOMER CONTROLLED-UPDATED NOTES	WS
2	94/08/29	REPROGRAM TO CAUSES INRUSH WAS 1500 AMP	RS
3	96/09/24	FIND NOS 16 & 17 ADDED	RS
4	99/04/22	FIND NO 17 DISC WAS OVERLAY-NAMEPLATE	RS
5	09/04/01	FIND NO 17 DISC WAS OVERLAY-NAMEPLATE	CB



CONSTRUCTION  
MAIN CONFIGURATION  
VOLTAGE (NOMINAL)  
CURRENT:

AUXILIARY CONTACTS  
CONFIGURATION  
VOLTAGE  
CURRENT: RES.  
SURGE

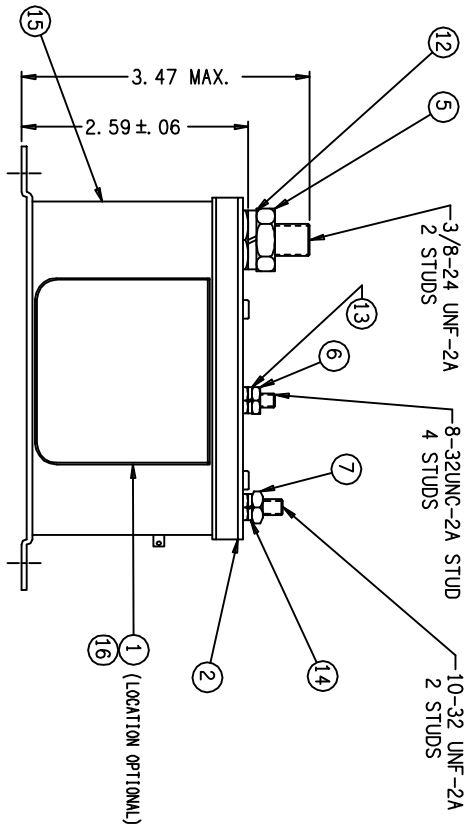
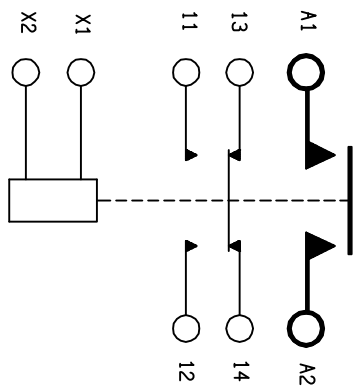
COIL DATA  
DUTY CYCLE  
NOMINAL VOLTAGE  
PICKUP MAX.  
PULL THROUGH  
DROPOUT VOLTAGE  
RESISTANCE

ENVIRONMENTAL DATA  
AMBIENT TEMP.  
LIFE ELECTRICAL  
LIFE MECHANICAL  
WEIGHT MAX. (EST.)

GASKET SEALED (VENIED)  
SPST N. O.  
28 VDC  
400 AMP FOR 30 SEC.  
1000 AMP INRUSH  
1800 AMP INRUSH

OPERATE BEFORE MAINS CLOSE  
FORU Z  
28VDC  
5 AMP 10 AMP CARRY ONLY  
30 AMP CARRY ONLY FOR 0.1 SEC.

INTERMITTANT  
24-30 VDC  
12 VDC  
6 VDC MAX AT 25°C  
.5 - 7V  
14 OHM ±20% AT 25°C



- NOTES:
- THIS UNIT MEETS THE APPLICABLE PORTIONS OF MIL-R-6106.
  - FINISH REMOVED FROM MTG. SURFACE.

17	1	39529-007	OVERLAY-WIRING DIAGRAM			
16	1	39529-001	OVERLAY-NAME PLATE			
15	1	32687-010	CONTACTOR - ASSEM. -PRIMARY			
14	2	51810-054	WASHER LOOK #10 X .062 X .047 SPLIT			BRONZE
13	4	51808-064	WASHER LOOK #8 X .055 X .040 SPLIT			BRONZE
12	2	51807-084	WASHER LOOK 3/8 X .683 X .094 SPLIT			BRONZE
11						
10						
9						
8	4	51200-020	SCREW #4 X 1/4 SHEETMETAL			S.S.
7	2	50410-084	NUT 10-32 3/8 X 1/8 HEX.			AN345B10
6	4	50408-034	NUT 8-32 X 5/16 X 3/32 HEX.			BRASS
5	2	50407-164	NUT 3/8-24 X 5/8 X 7/32 HEX.			AN341-616
4	1	32691-001	PLATE - WIRING DIAGRAM			
3						
2	1	32552-002	PLATE - BASE COVER			
1	1	16043-001	NAME PLATE			

FIND NO	QTY	PART OR IDENTIFYING NO	NAME PLATE	NONREGULATION OR DESCRIPTION	FSCM NO	DRAWING OR SPECIFICATION	MATERIAL OR NOTE

UNLESS OTHERWISE SPECIFIED DIMENSIONS ARE IN INCHES TOLERANCES IN ANGLES	
±.06	±.010 ± 1°
DR BY	RLS 99/05/05
CHK BY	RS 99/05/05
ENGR	JL 99/05/12
MFG	CC 99/05/12
SIZE	CODE IDENT
C	74063

**Tyco Electronics**  
19 Hudson Blvd., 175 N. Diamond Street, Mansfield, Ohio 44802

400 AMP, 28 VOLTS

KSR

DWG NO. A-703D

SCALE NONE SHEET

REF TE P/N 1616058-8