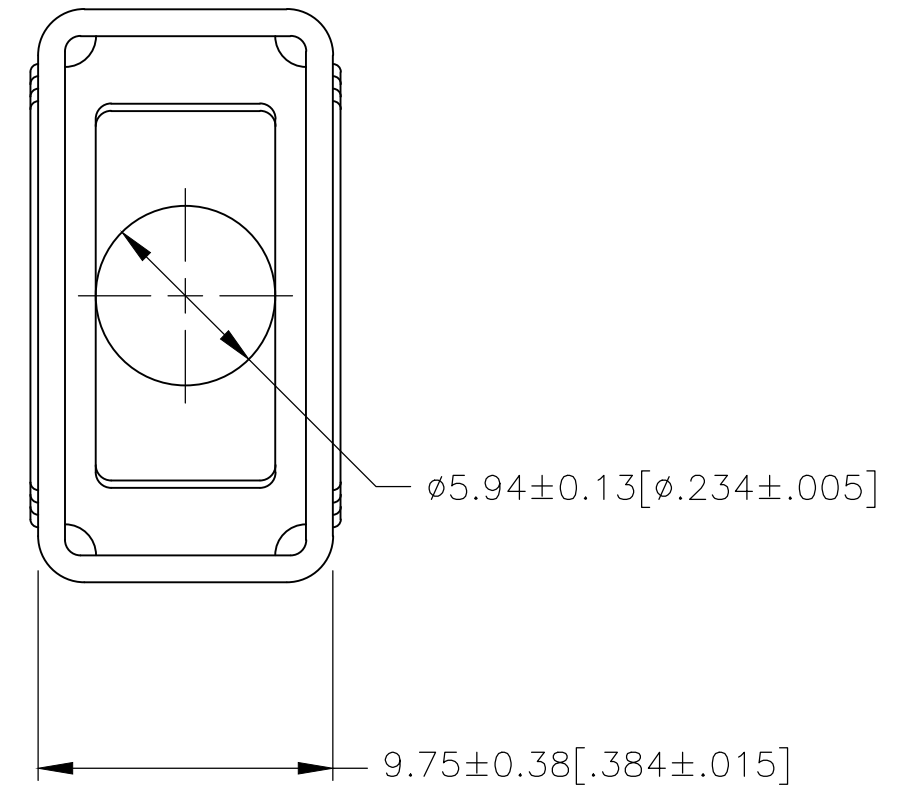
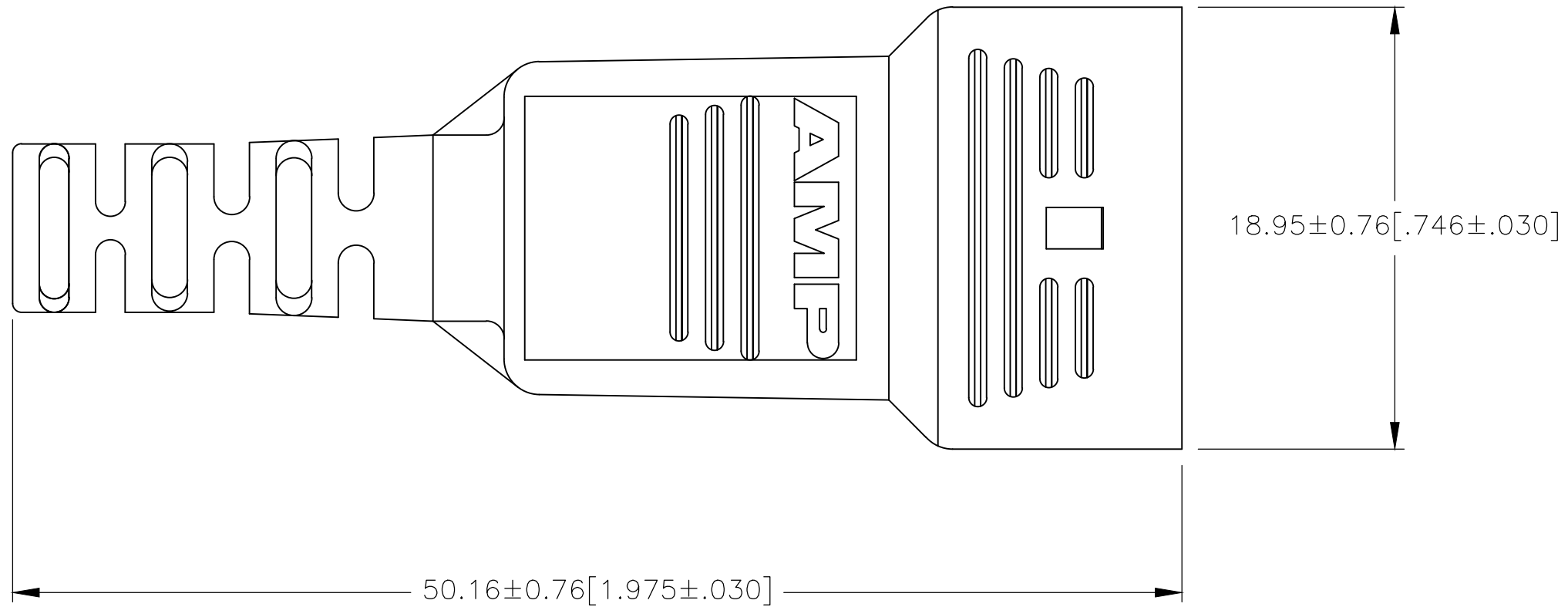



REVISIONS

| P | LTR | DESCRIPTION | DATE | DWN | APVD |
|---|-----|---------------------------|-----------|-----|------|
| | B1 | REVSIED PER ECO-20-009761 | 14JUL2020 | AK | JW |

OBSOLETE



| | |
|----------|-------------|
| OBSOLETE | 207753-1 |
| | PART NUMBER |

| | | | | | | | | | | | | | | | |
|--|-----|------------------|-----------|---|----------|-------|-----|-------|-----|-------|-----|-------|-----|--------|-----|
| THIS DRAWING IS A CONTROLLED DOCUMENT. | | DWN B.CARBO | 08 MAY 98 |  TE Connectivity | | | | | | | | | | | |
| DIMENSIONS: mm [INCHES] | | CHK R.STONE | 03 SEP 98 | | | | | | | | | | | | |
| TOLERANCES UNLESS OTHERWISE SPECIFIED: | | APVD R.TAYLOR | 03 SEP 98 | | | | | | | | | | | | |
| <table border="0"> <tr><td>0 PLC</td><td>± -</td></tr> <tr><td>1 PLC</td><td>± -</td></tr> <tr><td>2 PLC</td><td>± -</td></tr> <tr><td>3 PLC</td><td>± -</td></tr> <tr><td>4 PLC</td><td>± -</td></tr> <tr><td>ANGLES</td><td>± -</td></tr> </table> | | 0 PLC | ± - | | | 1 PLC | ± - | 2 PLC | ± - | 3 PLC | ± - | 4 PLC | ± - | ANGLES | ± - |
| 0 PLC | ± - | | | | | | | | | | | | | | |
| 1 PLC | ± - | | | | | | | | | | | | | | |
| 2 PLC | ± - | | | | | | | | | | | | | | |
| 3 PLC | ± - | | | | | | | | | | | | | | |
| 4 PLC | ± - | | | | | | | | | | | | | | |
| ANGLES | ± - | | | | | | | | | | | | | | |
| MATERIAL NYLON, BLACK | | FINISH - | | CORD GUARD, 9 POSITION, AMPLITE™ | | | | | | | | | | | |
| | | PRODUCT SPEC | - | SIZE | A3 | | | | | | | | | | |
| | | APPLICATION SPEC | - | CAGE CODE | 00779 | | | | | | | | | | |
| | | WEIGHT | 0.000000 | DRAWING NO | C-207753 | | | | | | | | | | |
| | | CUSTOMER DRAWING | | RESTRICTED TO | - | | | | | | | | | | |
| | | SCALE | 4:1 | SHEET | 1 OF 1 | | | | | | | | | | |
| | | | | REV | B1 | | | | | | | | | | |