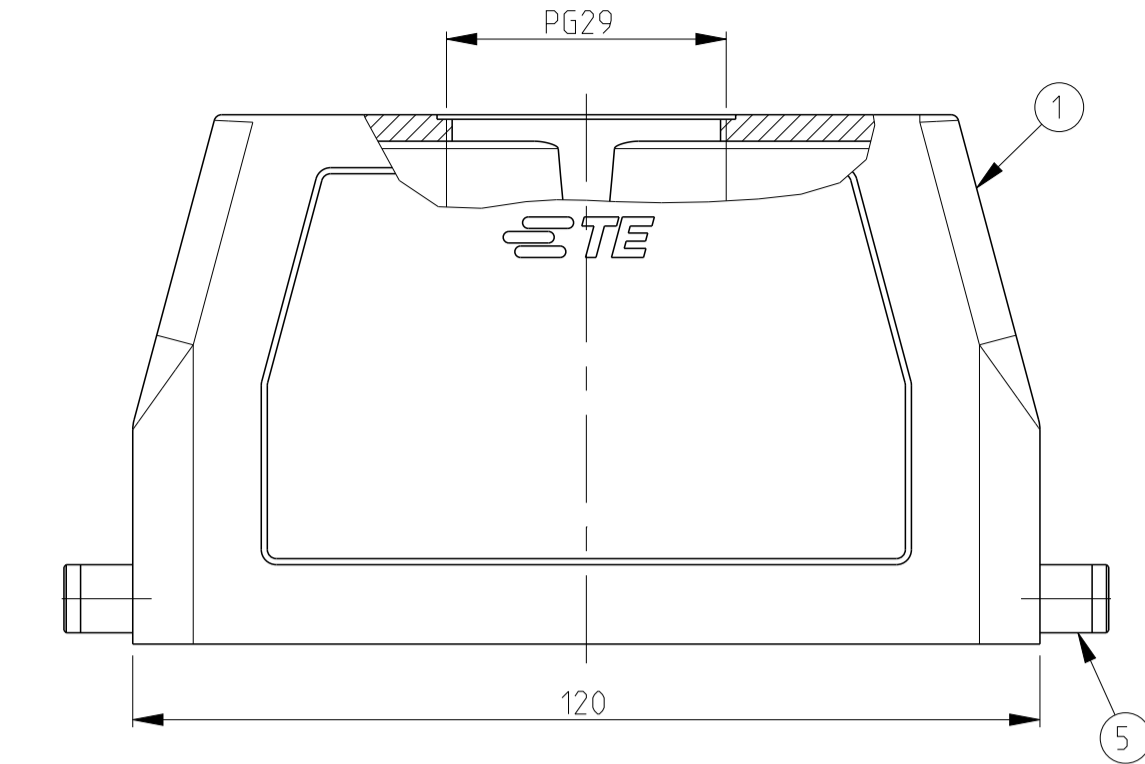
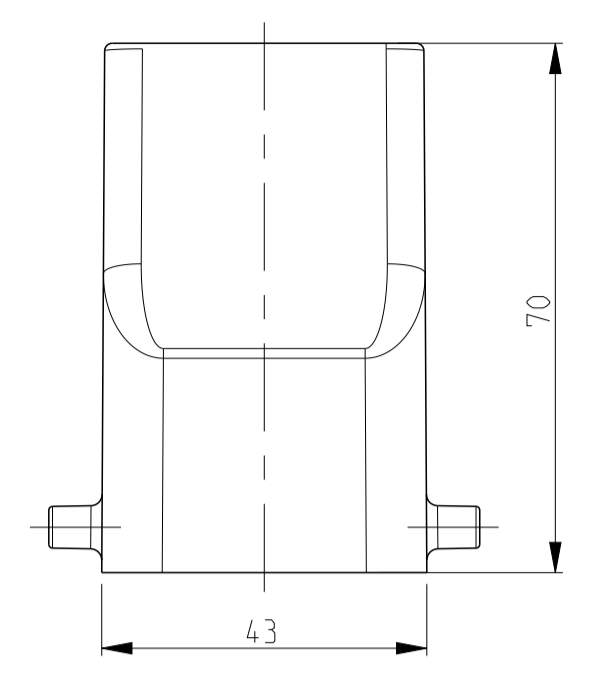
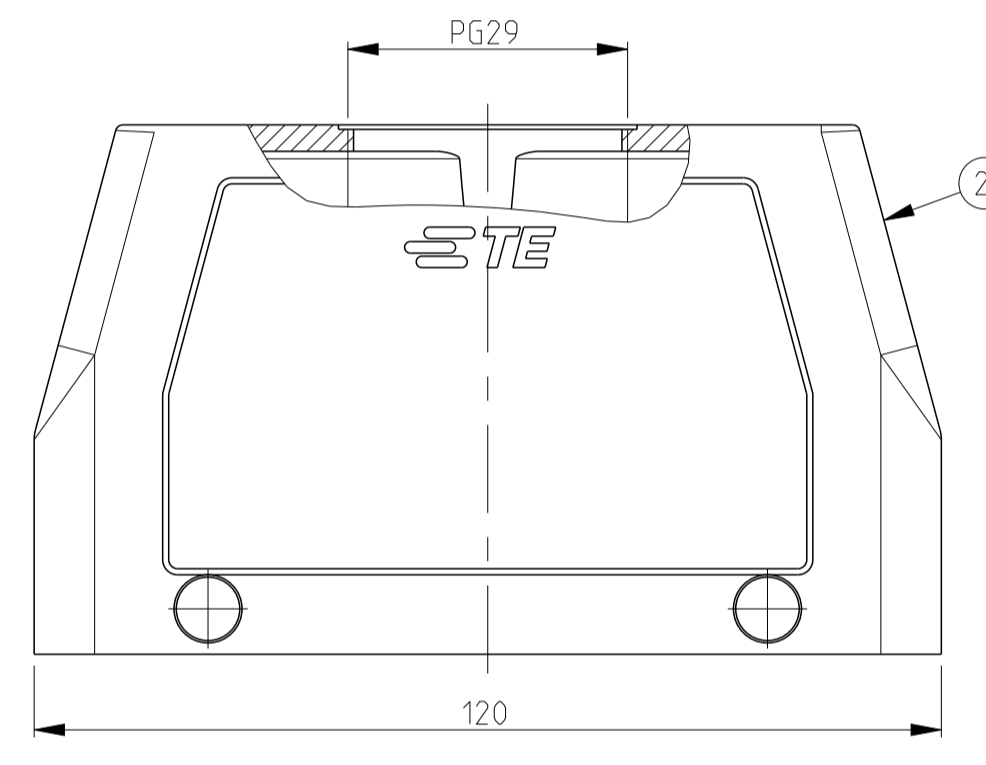
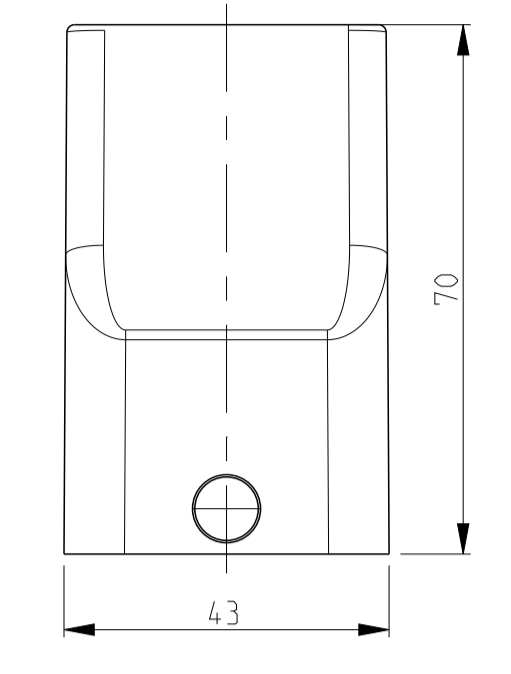


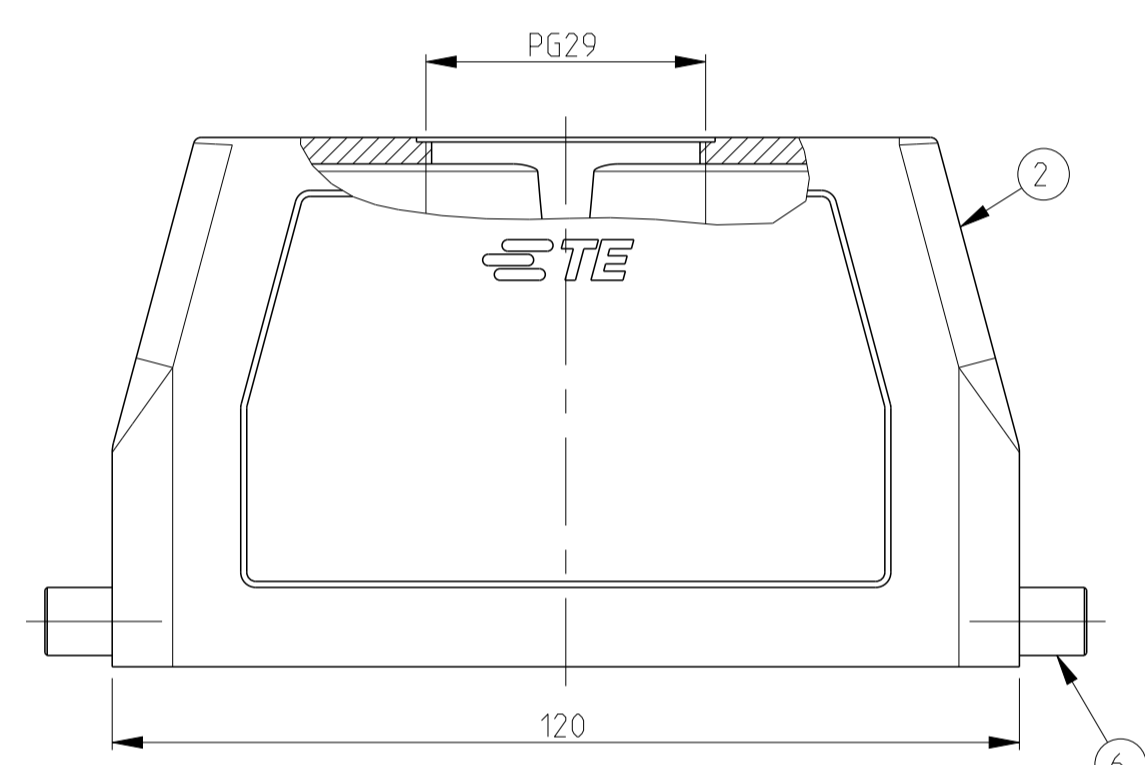
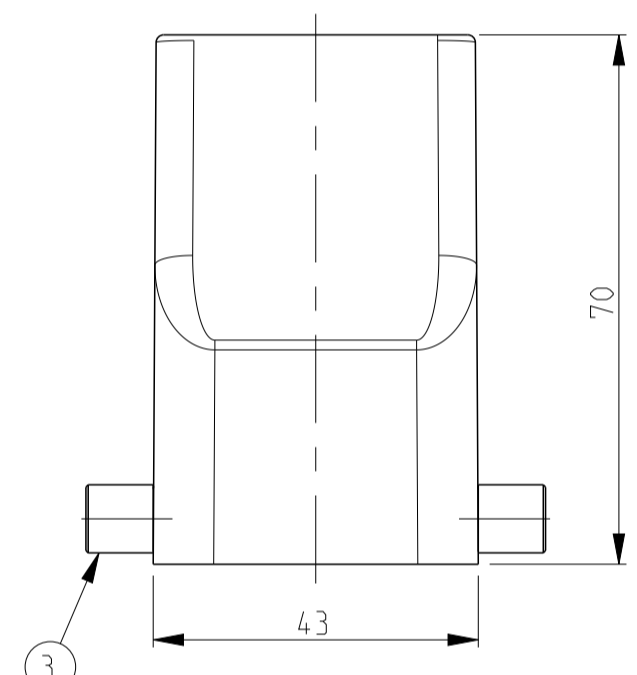
PN 1-6



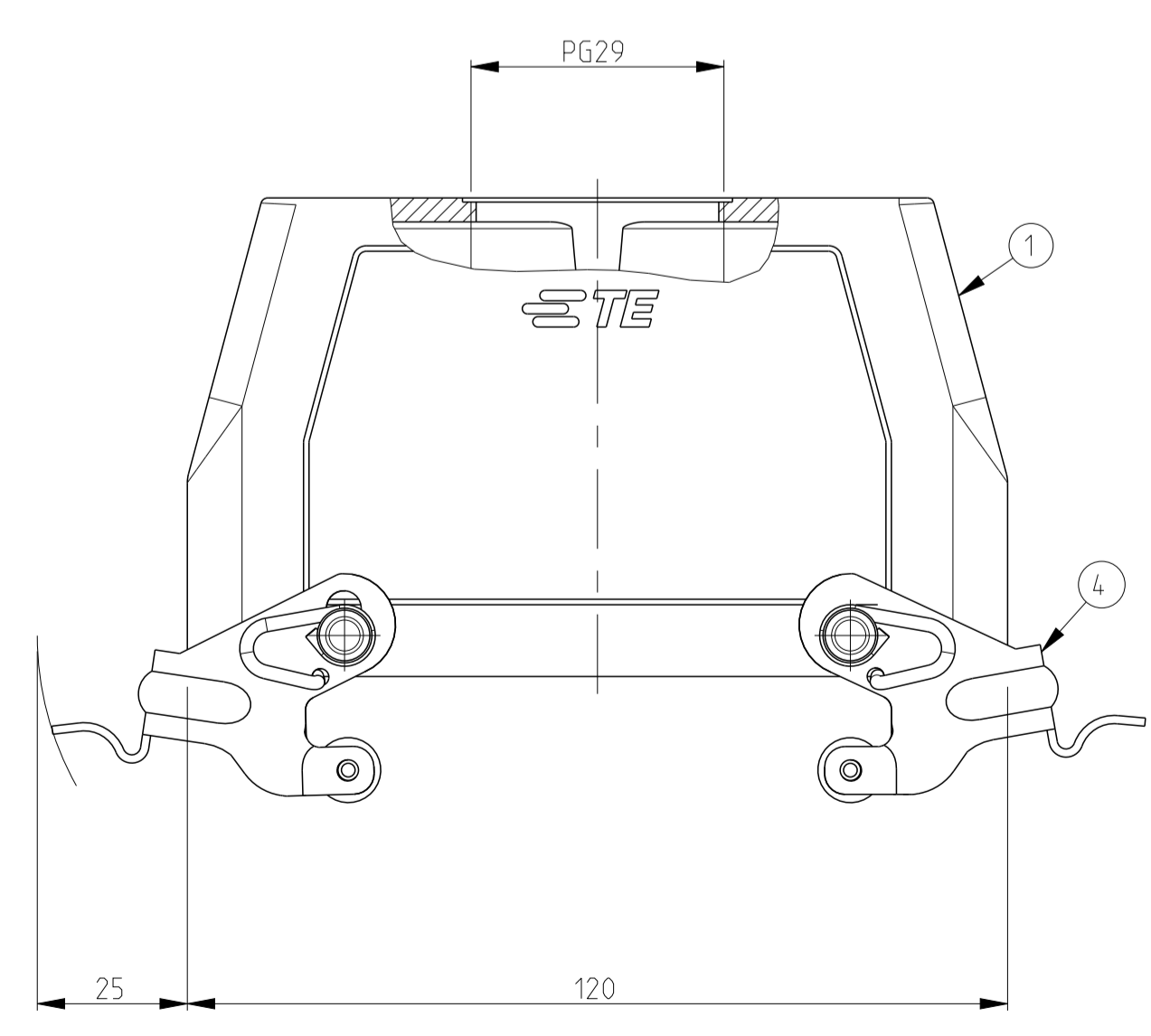
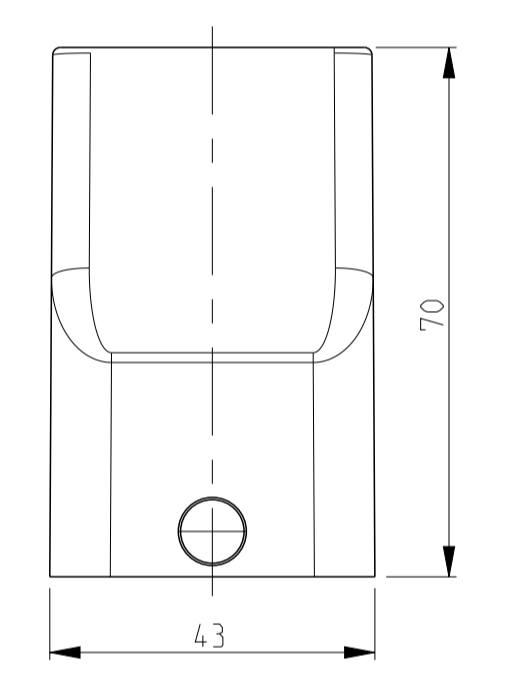
PN 1-7



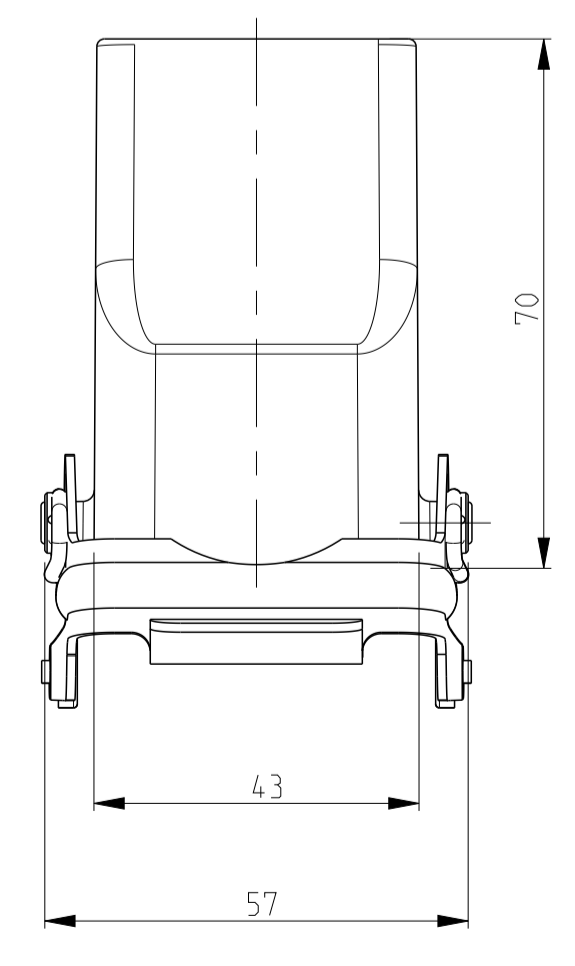
PN 2-6



PN 2-7

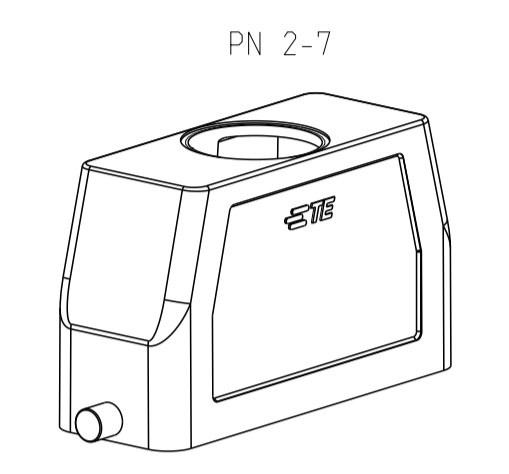


PN 1-1

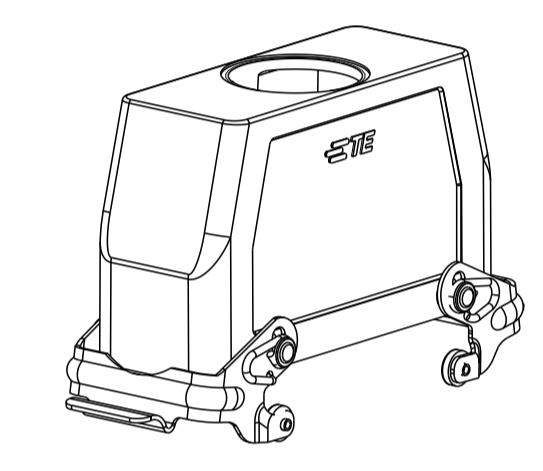


| REVISIONS |     |               |           |          |
|-----------|-----|---------------|-----------|----------|
| P.        | LTH | DESCRIPTION   | DATE      | DWN APVD |
| A4        |     | ECR-17-013084 | 29MAR2018 | SG MKO   |

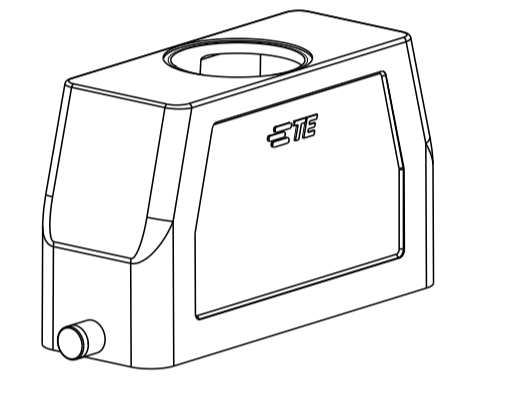
- NOTES.
- 1 Material:Housing:Aluminium Diecasting Alloy
  - 2 Surface:Varnish grey  
-Aluminium oxide-  
Varnish black
  - 3 Varnish on the inside not necessary
  - 4 Packaging  
Quantity 5 Pieces in a box



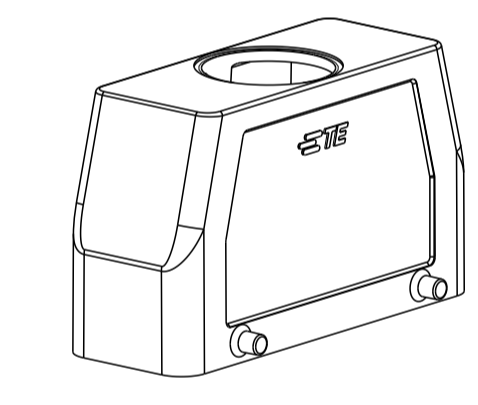
SCALE 1:2



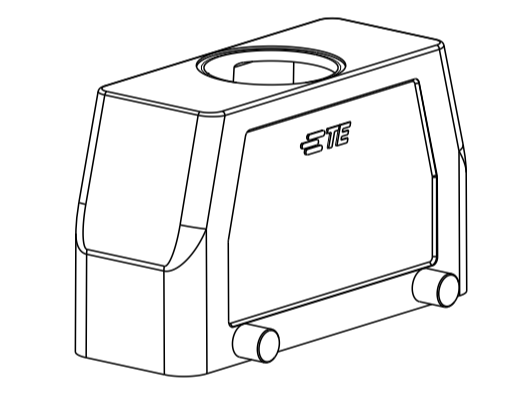
SCALE 1:2



SCALE 1:2



SCALE 1:2



SCALE 1:2

| QTY                   | ITEM NO | DESCRIPTION  | MATERIAL        | SURFACE         | COLOR | ITEM NO | REMARKS |
|-----------------------|---------|--------------|-----------------|-----------------|-------|---------|---------|
| 2                     | 1       | LB-Clip bolt | Stainless steel | Blank           | -     | 6       |         |
| 2                     | 2       | LB-Clip bolt | Steel           | Zinc plated     | Blue  | 5       |         |
| 4                     | 2       | VS-Side clip | Steel           | Zinc plated     | Blue  | 4       |         |
| 4                     | 4       | VS-Clip bolt | Stainless steel | Blank           | -     | 3       |         |
| 1                     | 1       | HB-K Hood    | Aluminium       | Aluminium oxide | Black | 2       |         |
| 1                     | 1       | HB Hood      | Aluminium       | -               | Grey  | 1       |         |
| 2-71-71-12-61-6       |         | DESCRIPTION  | MATERIAL        | SURFACE         | COLOR | ITEM NO | REMARKS |
| ORDERING TEXT         |         |              |                 |                 |       |         |         |
| HB.24.STO.1.29.G      |         |              |                 |                 |       |         |         |
| HB-K.24.STO.1.29.G    |         |              |                 |                 |       |         |         |
| HB.24.STO-VS.1.29.G   |         |              |                 |                 |       |         |         |
| HB.24.STO-GR.1.29.G   |         |              |                 |                 |       |         |         |
| HB-K.24.STO-GR.1.29.G |         |              |                 |                 |       |         |         |

THIS DRAWING IS A CONTROLLED DOCUMENT. DWN: Schneider 30.01.2003  
 CHK: Schwiiger 30.01.2003

DIMENSIONS: mm  
 TOLERANCES UNLESS OTHERWISE SPECIFIED:  
 0 PLC #  
 1 PLC #  
 2 PLC #  
 3 PLC #  
 4 PLC #  
 ANGLES #  
 FINISH #

MATERIAL: -

PRODUCT SPEC: 108-74003  
 APPLICATION SPEC: 116-74004

WEIGHT: -

CUSTOMER DRAWING

NAME: Hood  
 HB.24.STO.1.29.G

SIZE: A1  
 CAGE CODE: 00779  
 DRAWING NO: C=1102328

RESTRICTED TO: A4

SCALE: 1:1  
 SHEET: 1 OF 1  
 REV: A4