

RoHS COMPLIANT BY EXEMPTION

TABLE FOR PART NUMBERS

MOLEX PART#	FCT PART#	X-X	A [mm]	B [mm]	C [mm]	E* [mm]	F* [mm]	NO. OF CONTACTS 1./2./3. ROW	FORMERLY PART NO
1731130153	F09-15P135G0-5979	09-15	30.8	16.9	25	Ø 1.1	Ø 3	5/5/5	CT09-15P135-5805
1731130154	F15-26P135G0-5979	15-26	39.1	25.2	33.3			9/9/8	CT15-26P135-5805
1731130155	F25-44P135G0-5979	25-44	53	38.9	47.04			15/15/14	CT25-44P135-5805

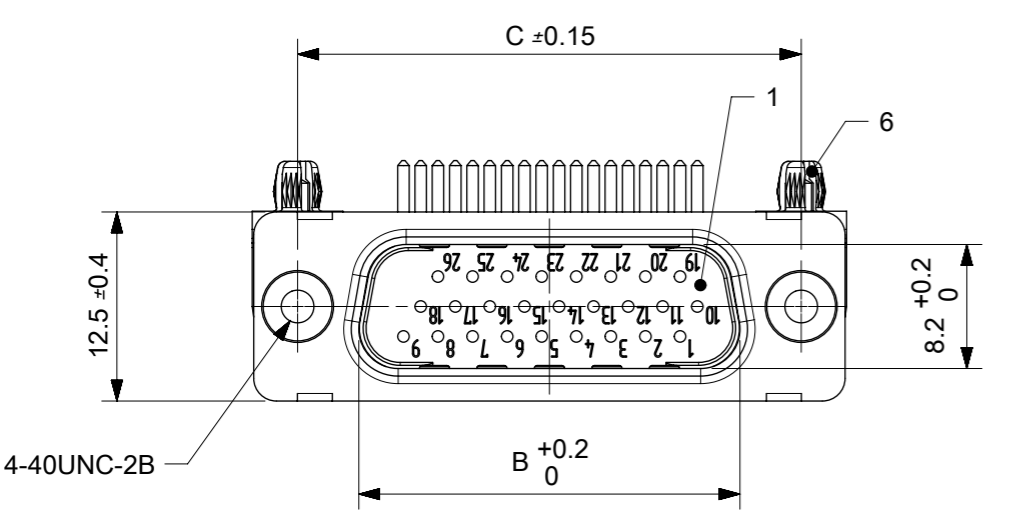
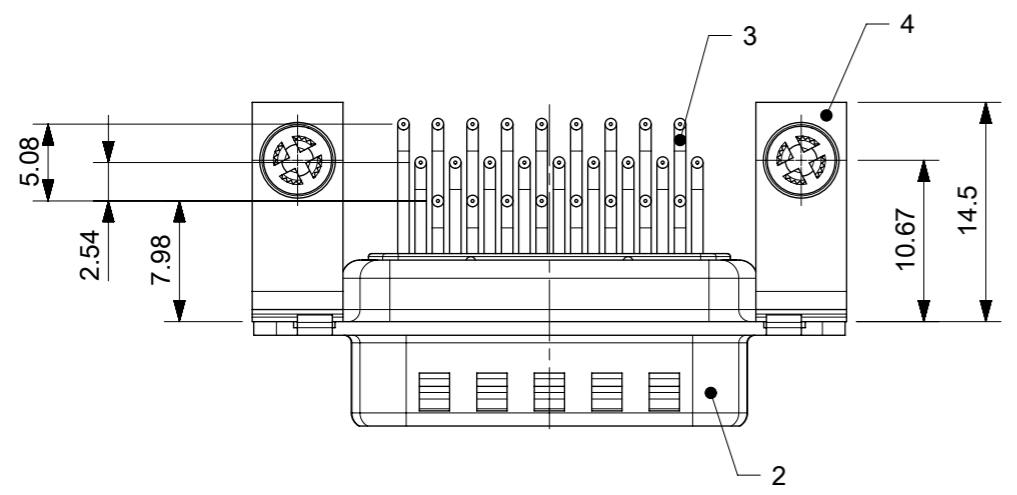
\*PCB HOLE PATTERNS, ØE, ØF, ON SUPPLEMENT 1731131002

TABLE FOR GENERAL TOLERANCES

PERMISSIBLE DEVIATIONS FOR BASIC SIZE RANGE				
0.5 UPTO	OVER 3 UPTO	OVER 6 UPTO	OVER 30 UPTO	OVER 120 UPTO
3	6	30	120	400
±0.1	±0.1	±0.2	±0.3	±0.5

X-X NO. OF CONTACTS 09-15, 15-26, 25-44

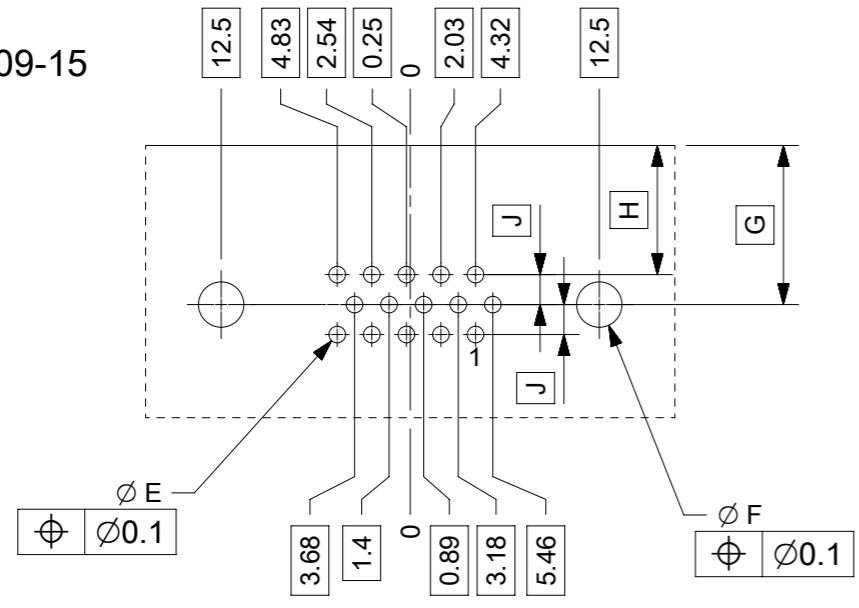
NO.	St.	PART	TYPE DESCRIPTION/MATERIAL	SURFACE PLATING/COLOUR/CLASS
6	2	SNAP IN RIVET	PCB 1.6mm / BRASS	TIN PLATED
5	2	CLINCH NUT	MW 4-40 / BRASS	TIN PLATED
4	2	BRACKET	F1080-29 / STEEL	TIN PLATED
3	X-X	SIGNAL CONTACT, MACHINED	HP135 / BRASS	0.8µm Au
2	1	SHELL	STEEL	TIN PLATED
1	1	INSULATOR	THERMOPLASTIC, GF	BLACK



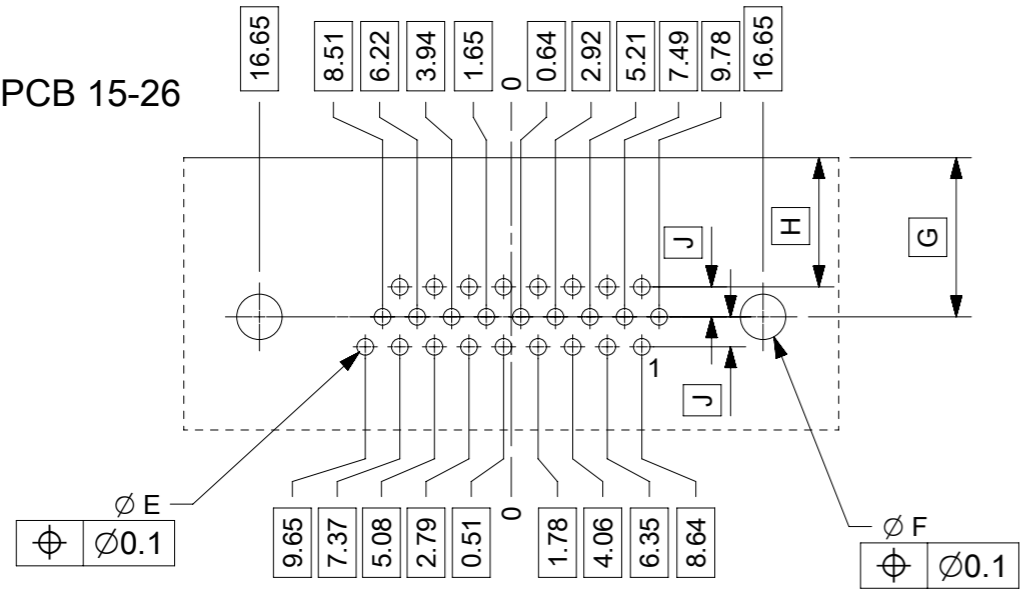
THIS DRAWING CONTAINS INFORMATION THAT IS PROPRIETARY TO MOLEX ELECTRONIC TECHNOLOGIES, LLC AND SHOULD NOT BE USED WITHOUT WRITTEN PERMISSION

<b>QUALITY SYMBOLS</b> ▽ = 0 ▽ = 0 ▽ = 0 ▽ = 0 ▽ = 0 ▽ = 0 ▽ = 0 ▽ = 0 ▽ = 0 ▽ = 0	<b>DRAWING UPDATED</b> EC NO: 121239 DRWN: ISHWARG CHK'D: KPRASAD APPR: KPRASAD	<b>GENERAL TOLERANCES (UNLESS SPECIFIED)</b> ANGULAR TOL ± ° 4 PLACES ± 3 PLACES ± 2 PLACES ± 1 PLACE ± 0 PLACES ± DRAFT WHERE APPLICABLE MUST REMAIN WITHIN DIMENSIONS	DIMENSION UNITS	SCALE	
			mm	2:1	
			DRWN BY	DATE	
			RLALSANGI	2017/04/14	
CHK'D BY	DATE	<b>PRODUCT CUSTOMER DRAWING</b>			
ISHWARG	2017/06/07				
APPR BY	DATE	SERIES: 173113 MATERIAL NUMBER: SEE TABLE CUSTOMER: GENERAL MARKET			
ISHWARG	2017/06/07				
DRAWING SIZE		THIRD ANGLE PROJECTION	DOCUMENT NUMBER: 1731130153 DOC TYPE: PSD DOC PART: 000 SHEET NUMBER: 1 OF 1		
A3					

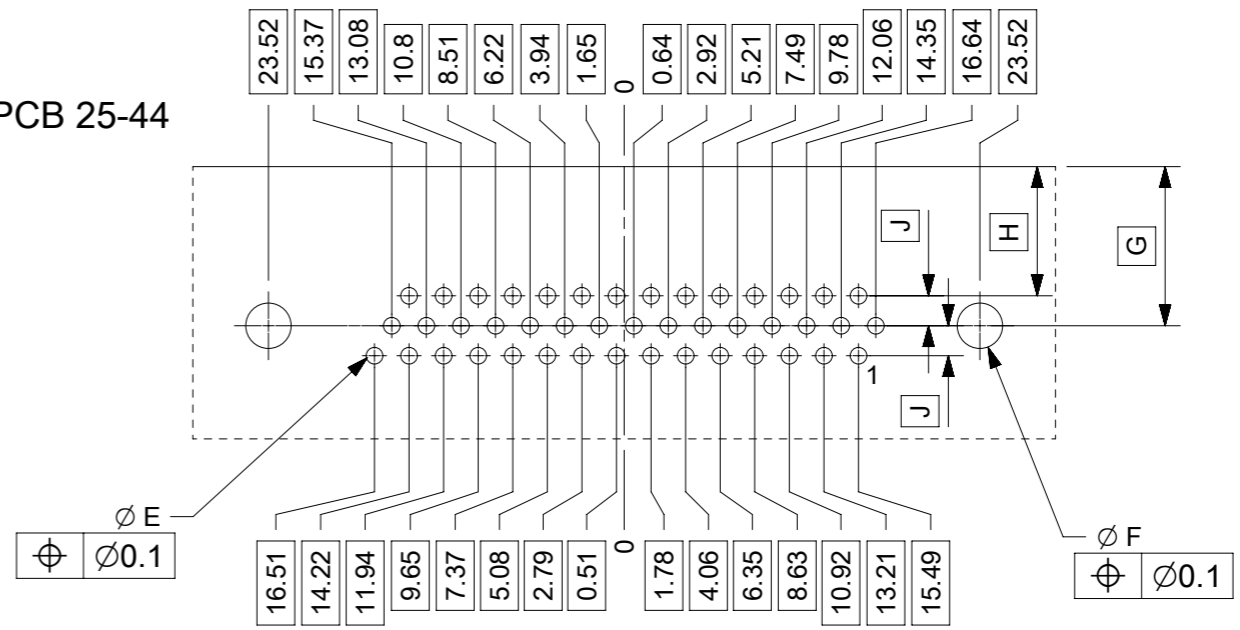
PCB 09-15



PCB 15-26



PCB 25-44



VIEW ON MOUNTING SIDE

ØE, ØF, G, H, J SEE DATA SHEET INCL. CONNECTOR  
ØF, CONNECTORS WITH ACCESSORIES ONLY

THIS DRAWING CONTAINS INFORMATION THAT IS PROPRIETARY TO MOLEX ELECTRONIC TECHNOLOGIES, LLC AND SHOULD NOT BE USED WITHOUT WRITTEN PERMISSION

EC NO: 117803 DRWN: RLALSANGI CHK'D: ISHWARG APPR: ISHWARG	2017/05/12 2017/06/07 2017/06/07	GENERAL TOLERANCES (UNLESS SPECIFIED) ANGULAR TOL ± ° 4 PLACES ± 3 PLACES ± 2 PLACES ± 1 PLACE ± 0 PLACES ± DRAFT WHERE APPLICABLE MUST REMAIN WITHIN DIMENSIONS	DIMENSION UNITS MM	SCALE 1:1			
	DRWN BY RLALSANGI		DATE 2017/05/12	PCB HOLE PATTERN PIN HIGH-DENSITY CONNECTOR RIGHT ANGLED			
	CHK'D BY ISHWARG		DATE 2017/06/07	PRODUCT CUSTOMER DRAWING			
	APPR BY ISHWARG		DATE 2017/06/07	SERIES 173113		MATERIAL NUMBER NOT APPLICABLE	CUSTOMER GENERAL MARKET
	DRAWING SIZE A3		THIRD ANGLE PROJECTION 	DOCUMENT NUMBER 1731131002		DOC TYPE PSD	DOC PART 000