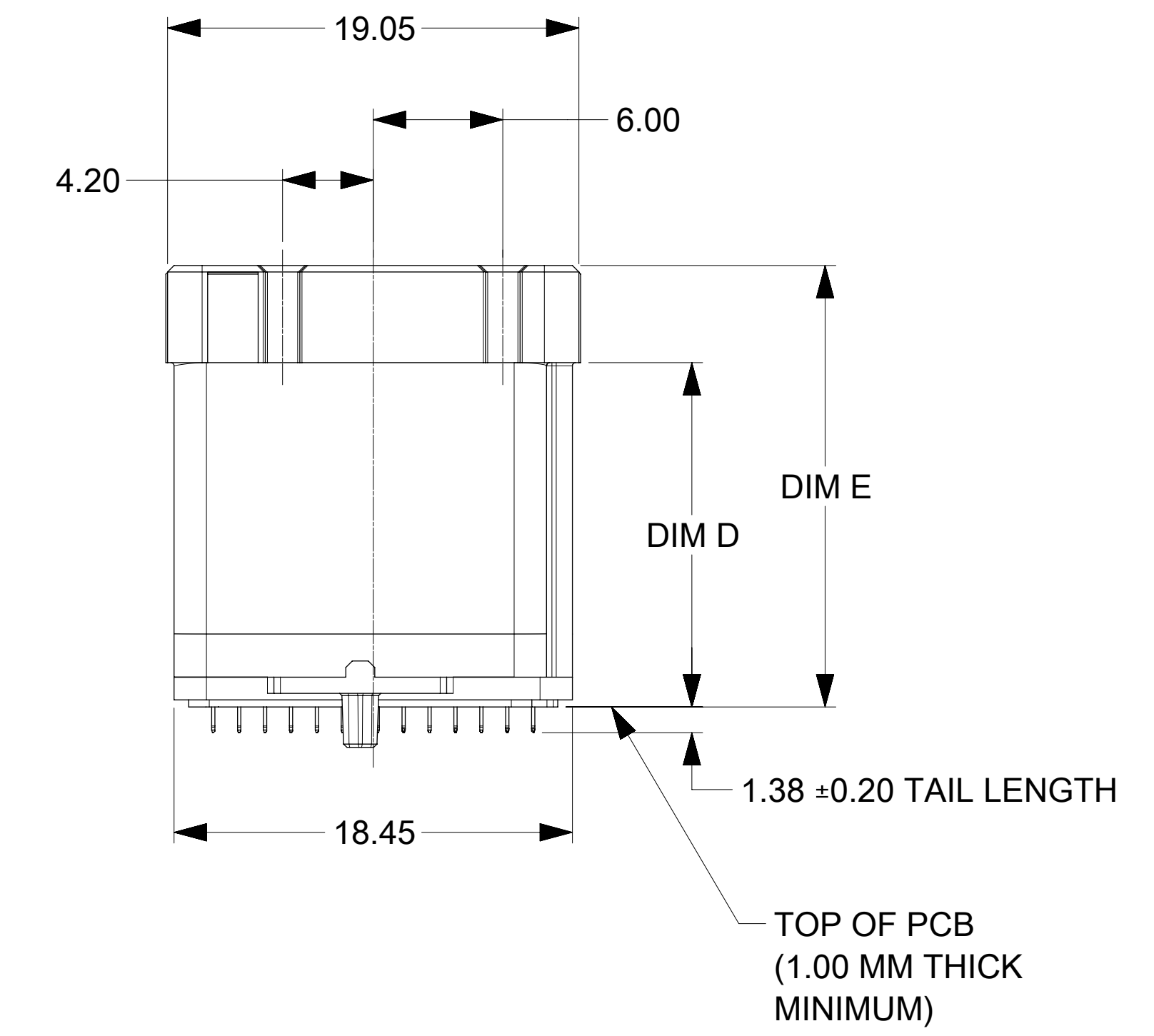
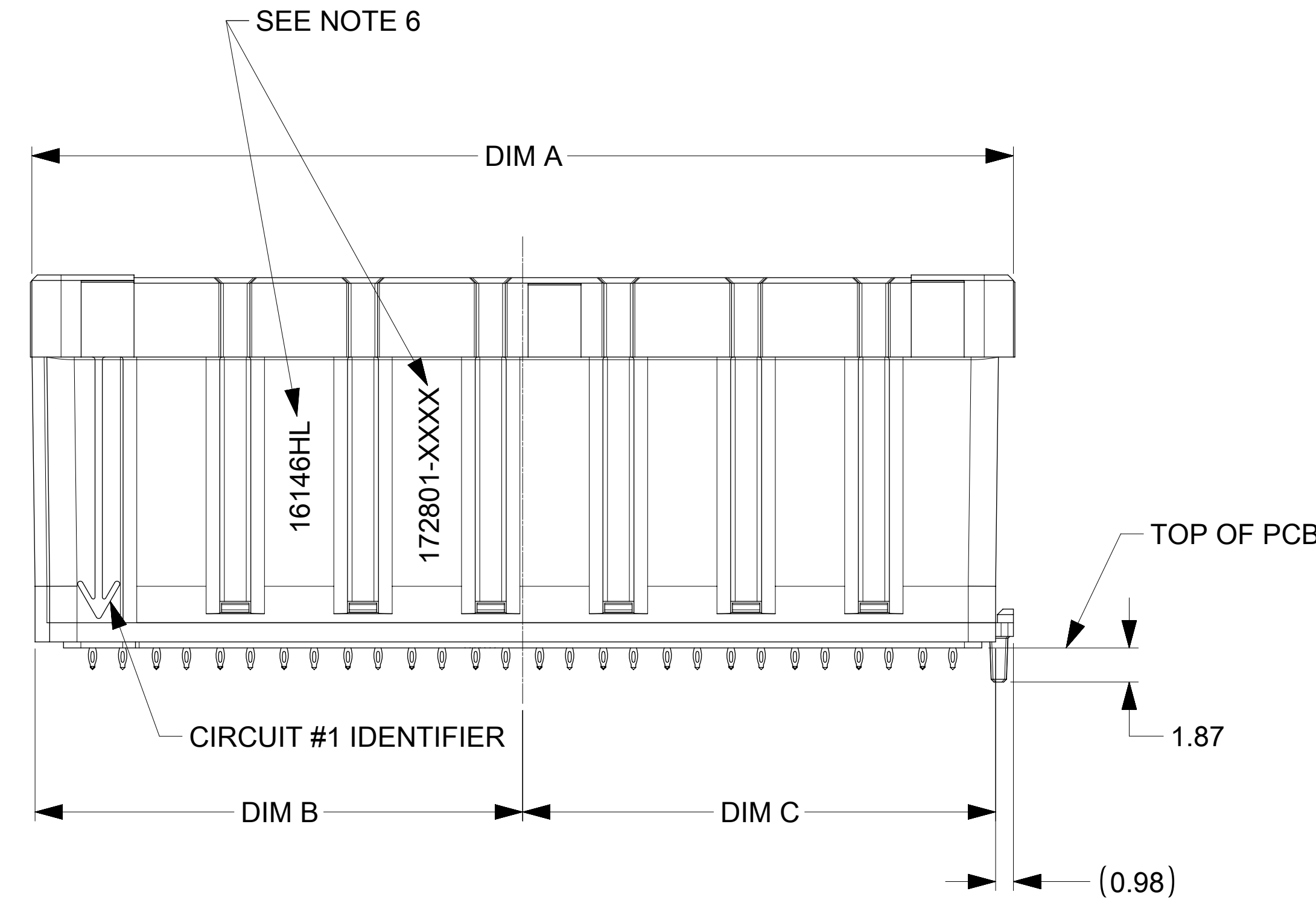
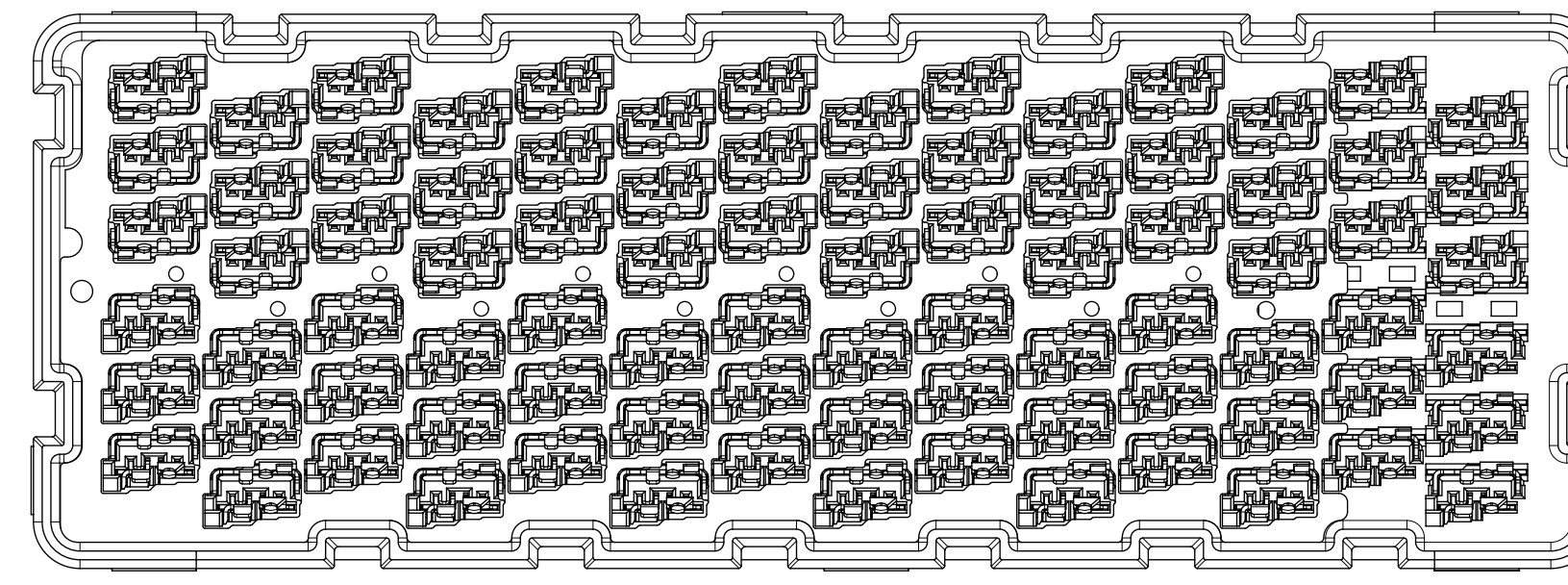


172801-0009 PLUG ASSEMBLY SHOWN

NOTES:

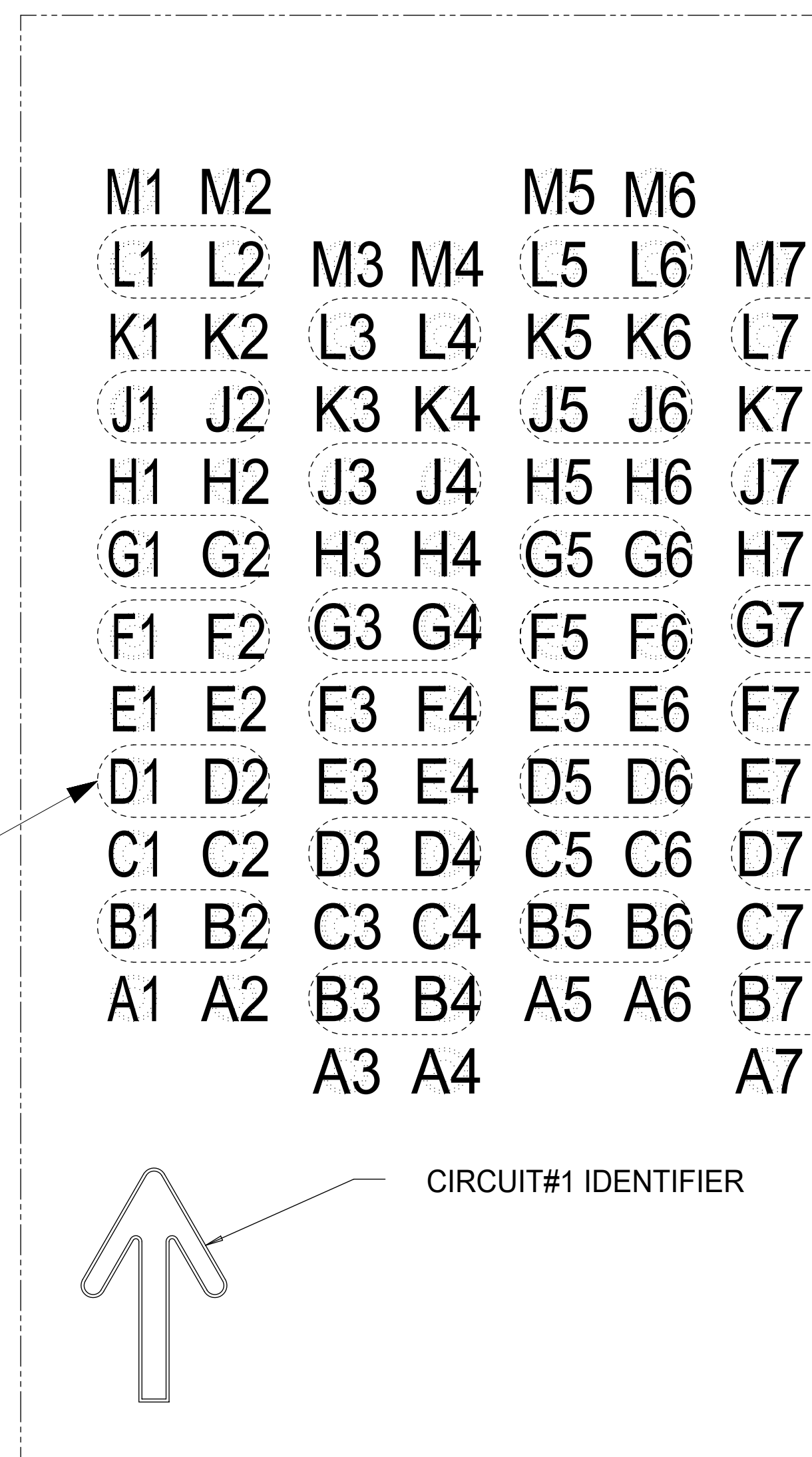
1. HOUSING MATERIAL: LCP, GLASS FILLED, UL 94V-0, BLACK
CONTACT MATERIAL: HIGH PERFORMANCE COPPER ALLOY
2. FINISH:
CONTACTS: SELECTIVE GOLD: 30 MICRO INCHES MINIMUM ON CONTACT AREA
SELECTIVE TIN ON COMPLIANT PIN OVER 50 MICRO INCHES MINIMUM
NICKEL OVERALL
3. PRODUCT SPECIFICATION: PS-172801-0001
4. PACKAGING SPECIFICATION: PK-173358-0001
5. APPLICATION SPECIFICATION: AS-172801-0001
6. PARTS TO BE MARKED WITH THE PART NUMBER AND DATE CODE.
FORMAT IS 2 DIGIT YEAR, 3 DIGIT DAY, 1 DIGIT HOUR (IF NEEDED), AND
ONE DIGIT ASSEMBLY LINE (IF NEEDED) BY MARKING THE HOUSING AS SHOWN.
7. THIS PART CONFORMS TO CLASS B REQUIREMENTS OF
MOLEX COSMETIC SPEC. PS-45499-002



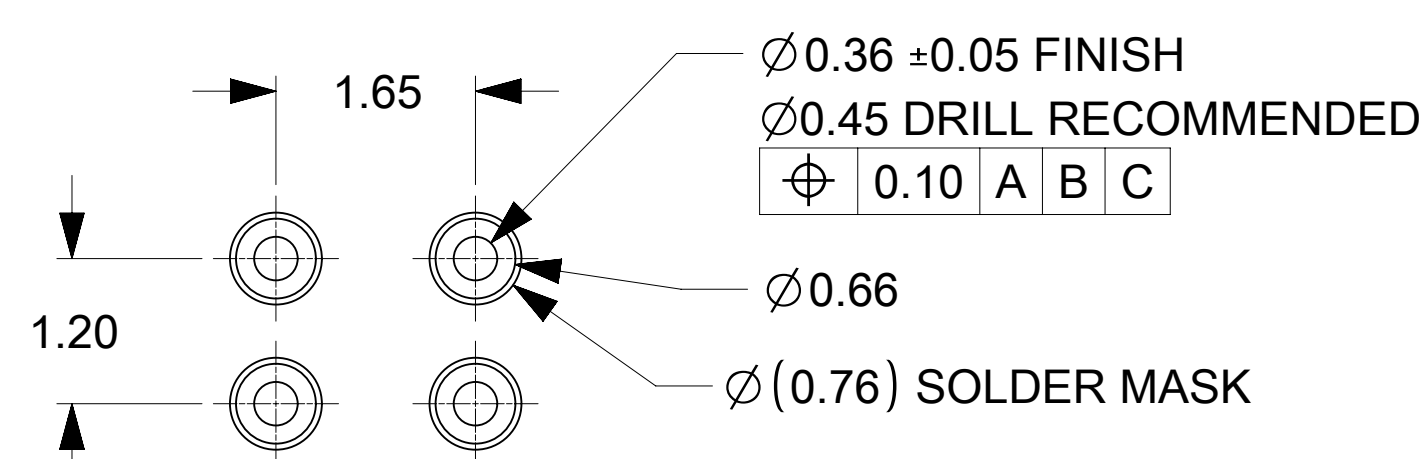
MATERIAL NUMBER	HEIGHT	NO. OF COLUMNS	DIM A	DIM B	DIM C	DIM D	DIM E	LOCATING PEG	TOOLED	MATES TO
1728010001	13.5	14	53.80	26.73	25.93	10.95	15.45	NO	YES	1728320001
1728010005	13.5	10	39.80	19.73	18.93	10.95	15.45	PRESENT	YES	1728320005
1728010006	21.5	10	39.80	19.73	18.93	18.95	23.45	PRESENT	YES	1728320005
1728010013	18.5	16	60.80	30.23	29.43	15.95	20.45	PRESENT	YES	1728320013
1728010017	13.5	8	32.80	16.23	15.43	10.95	15.45	PRESENT	NO	1728320017
1728010018	21.5	12	46.80	23.23	22.43	18.95	23.45	PRESENT	NO	1728320018 & 1728320019
1728010021	21.5	20	74.80	37.23	36.43	18.95	23.45	PRESENT	NO	1728320024
1728010022	21.5	25	92.30	45.98	45.18	18.95	23.45	PRESENT	NO	1728320025
1728010035	18.5	16	60.80	30.23	29.43	15.95	20.45	PRESENT	YES	1728320034
1728010037	18.5	14	53.80	26.73	25.93	15.95	20.45	PRESENT	YES	1728320036

THIS DRAWING CONTAINS INFORMATION THAT IS PROPRIETARY TO MOLEX ELECTRONIC TECHNOLOGIES, LLC AND SHOULD NOT BE USED WITHOUT WRITTEN PERMISSION													
DIMENSION UNITS mm		SCALE 5:1		CURRENT REV DESC: REMOVED OBSOLETE PART NUMBER AS PER PCN#511691.									
GENERAL TOLERANCES (UNLESS SPECIFIED)				<div style="text-align: center; font-size: 2em; font-weight: bold;">molex</div> <p>NEOPRESS 6 ROW PLUG ASSY, 100 OHMS 100 OHM</p> <p>PRODUCT CUSTOMER DRAWING</p>									
ANGULAR TOL ± 0.5°													
4 PLACES ±													
3 PLACES ±													
2 PLACES ± 0.15													
1 PLACE ±													
0 PLACES ±				EC NO: 737858		2023/02/08							
DRAFT WHERE APPLICABLE MUST REMAIN WITHIN DIMENSIONS				THIRD ANGLE PROJECTION		DRAWING		SERIES		MATERIAL NUMBER			
				E-SIZE		172801		SEE TABLE		CUSTOMER		SHEET NUMBER	
										1 OF 2			
DOCUMENT STATUS		P1		RELEASE DATE		2023/02/24		09:13:35					

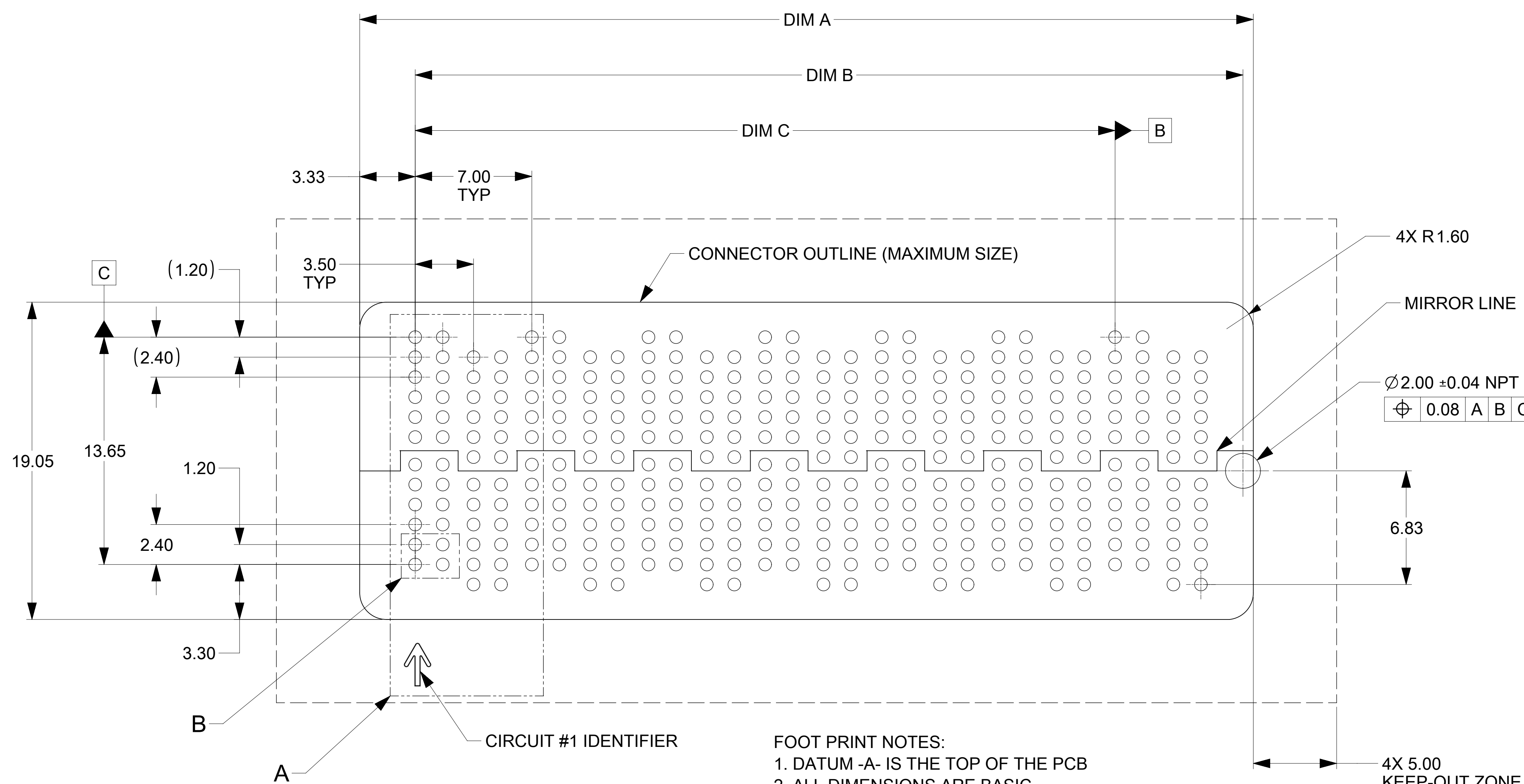
CIRCLED VIAS ARE CONNECTED TO THE SAME SHIELD TERMINAL. ALSO, ALL SHIELD VIAS ARE ELECTRICALLY INTERCONNECTED INSIDE THE CONNECTOR. (SEE CHART FOR EXCEPTIONS FOR POWER TERMINALS*. THE LOW SPEED TRIADS SHIELD TERMINALS MUST BE USED FOR GROUNDS ONLY AND MAY BE CONNECTED TO OTHER SHIELDS IN THIS CONNECTOR EXCEPT THE ELECTRICALLY ISOLATED SHIELDS).



DETAIL A
SCALE 12:1
NUMBERING SCHEME



DETAIL B
SCALE 16:1



FOOT PRINT NOTES:
1. DATUM -A- IS THE TOP OF THE PCB
2. ALL DIMENSIONS ARE BASIC

FOOT PRINT 6X14 SHOWN

MATERIAL NUMBER	NO. OF COLUMNS	DIM A	DIM B	DIM C	ELECTRICALLY ISOLATED SHIELDS *	LOW SPEED TRIADS *
1728010001	14	53.80	49.68	42.00	COLUMN 14: B27,B28,D27,D28,F27,F28,G27,G28,J27,J28,L27,L28	COLUMN 13: B25,B26,D25,D26,F25,F26,G25,G26,J25,J26,L25,L26
1728010005	10	39.80	35.68	28.00	N/A	N/A
1728010006	10	39.80	35.68	28.00	N/A	N/A
1728010013	16	60.80	56.68	49.00	N/A	N/A
1728010017	8	32.80	28.68	21.00	N/A	N/A
1728010018	12	46.80	42.68	35.00	N/A	N/A
1728010021	20	74.80	70.68	63.00	COLUMN 19: B37,B38,D37,D38,F37,F38,G37,G38,J37,J38,L37,L38 COLUMN 20: B39,B40,D39,D40,F39,F40,G39,G40,J39,J40,L39,L40	COLUMN 18: B35,B36,D35,D36,F35,F36,G35,G36,J35,J36,L35,L36
1728010022	25	92.30	88.18	80.50	N/A	N/A
1728010035	16	60.80	56.68	49.00	COLUMN 15: B29,B30,D29,D30,F29,F30,G29,G30,J29,J30,L29,L30 COLUMN 16: B31,B32,D31,D32,F31,F32,G31,G32,J31,J32,L31,L32	COLUMN 14: B27,B28,D27,D28,F27,F28,G27,G28,J27,J28,L27,L28
1728010037	14	53.80	49.68	42.00	COLUMN 12: B23,B24,D23,D24,F23,F24,G23,G24,J23,J24,L23,L24 COLUMN 13: B25,B26,D25,D26,F25,F26,G25,G26,J25,J26,L25,L26 COLUMN 14: B27,B28,D27,D28,F27,F28,G27,G28,J27,J28,L27,L28	COLUMN 11: B21,B22,D21,D22,F21,F22,G21,G22,J21,J22,L21,L22

THIS DRAWING CONTAINS INFORMATION THAT IS PROPRIETARY TO MOLEX ELECTRONIC TECHNOLOGIES, LLC AND SHOULD NOT BE USED WITHOUT WRITTEN PERMISSION											
DIMENSION UNITS mm		SCALE 1:1		CURRENT REV DESC: REMOVED OBSOLETE PART NUMBER AS PER PCN#511691.						molex	
GENERAL TOLERANCES (UNLESS SPECIFIED)				EC NO: 737858							
ANGULAR TOL ± 0.5°				DRWN: SANTHN 2023/02/08							
4 PLACES ±				CHK'D: GGA 2023/02/24						PRODUCT CUSTOMER DRAWING	
3 PLACES ±				APPR: GGA 2023/02/24							
2 PLACES ± 0.15				INITIAL REVISION:						DOCUMENT NUMBER 1728010002	
1 PLACE ±				DRWN: GMINNICK 2017/04/19							
0 PLACES ±				APPR: KLANG 2017/07/31						DOC PART 000	
DRAFT WHERE APPLICABLE MUST REMAIN WITHIN DIMENSIONS				THIRD ANGLE PROJECTION		DRAWING SERIES E-SIZE 172801		MATERIAL NUMBER SEE TABLE			